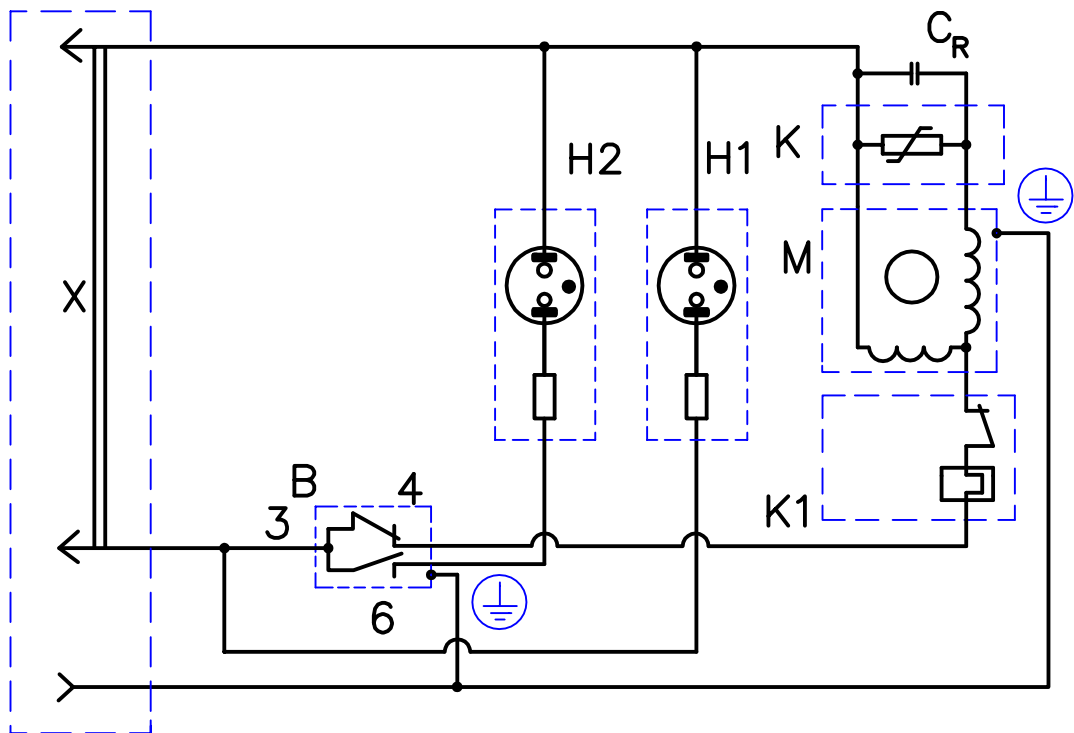


PRINCIPAL CIRCUIT DIAGRAM FOR FREEZER  
F22SM and F27SM



DESIGNATION	DESCRIPTION	QUAN- TITY	NOTE
B	THERMOSTAT	1	
H1	INDICATOR ( GREEN )	1	
H2	INDICATOR ( RED )	1	
K	STARTING DEVICE	1	
K1	OVERLOAD PROTECTOR	1	
M	COMPRESSOR	1	
X	CORDSET	1	
C <sub>R</sub>	RUN CAPACITOR	1*	*) if applicable