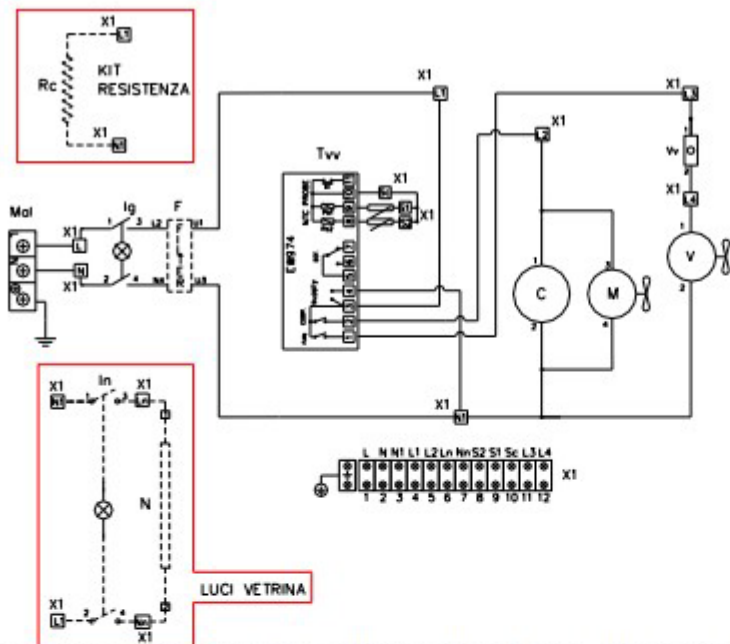


SCHALTPLAN



KBS Gastrotechnik GmbH – Schoßbergstraße 26 – 65201 Wiesbaden



Mal	MORSETTIERA D'ALLACCIAMENTO- MAIN TERMINAL BOARD - ANSCHLUSS-KLEMMENLEISTE- BORNIER DE BRANCHEMENT
Ig	INTERRUTTORE GENERALE (VERDE)- MASTER SWITCH (GREEN)- SCHALTER ALLGEMEINE KÜHLUNG (GRÜN) - INTERRUPTEUR GENERALE (VERT)
F	FILTRO ANTIRADIODISTURBI- RADIO INTERFERENCE SUPPRESSOR - ENTSTÖRER- FILTRE ANTI DERANGEMENTS RADIO
Tvv	TELETERMOSTATO VASCA / VETRINA- BASIN / SHOWCASE TELETHERMOSTAT - FERNTHERMOSTAT BEHÄLTER / VITRINE- TELETHERMOSTAT BAC / VITRINE
C	COMPRESSORE- COMPRESSOR - KOMPRESSOR- COMPRESSEUR
M	MOTOVENTILATORE CONDENSATORE- CONDENSER MOTOR-DRIVEN FAN - MOTORVENTILATOR KONDENSATOR- MOTEUR VENTILATEUR CONDENSATEUR
V	VENTILATORI - FAN - VENTILATOR - VENTILATEUR
Vv	VARIATORE DI VELOCITA' / SPEED VARIATOR/ GESCHWINDIGKEITHSCHALTER
In	INTERRUTTORE LUMINOSO LUCI VETRINA- SHOWCASE LIGHTING LUMINOUS SWITCH - LEUCHTSCHALTER VITRINENBELEUCHTUNG- INTERRUPTEUR LUMINEUX LUMIERES VITRINE
N	LUCI LED VETRINA- SHOWCASE LED LIGHTS - LED VITRINE- LUMIERES VITRINE AU LED
Rc	RESISTENZA CONDENSA- HEAT ELEMENT (KIT OPTIONAL)
X1	MORSETTIERA INTERNA- INTERNAL TERMINAL BOARD - INTERNE KLEMMENLEISTE- BORNIER INTERNE