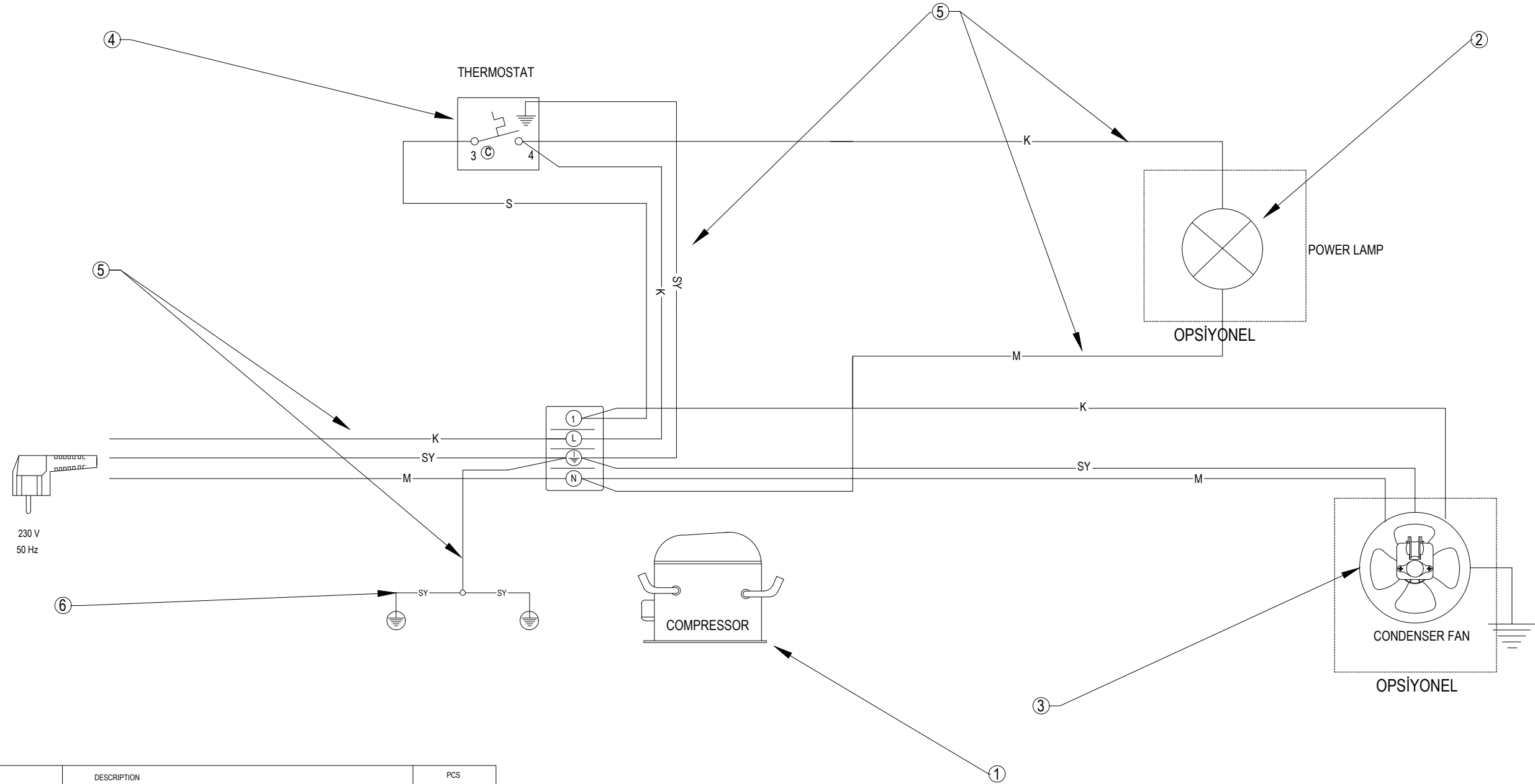


SCHALTPLAN



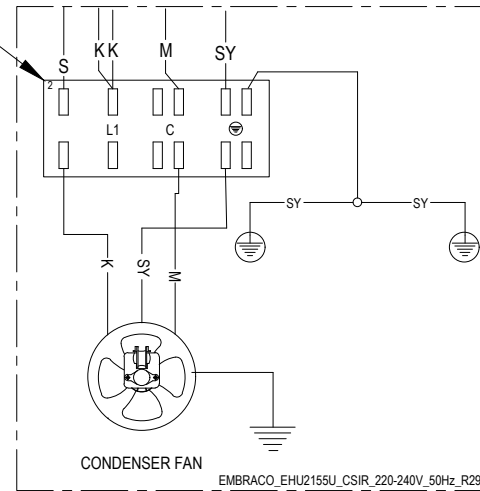
KBS Gastrotechnik GmbH – Schoßbergstraße 26 – 65201 Wiesbaden



NO	KLİMASAN CODE		DESCRIPTION	PCS
	NETSİS KODU	SAP KODU	STOK TANIMI	KULLANIM MİKTARI (ADET)
1	A6001474	10000006006	KOMPRESOR_EMBRACO_EMT2130U_220_240V_50Hz_R290_Muht	1
2	C6023090	10000006616	SINYAL_LAMBASI_GUC_YUVARLAK_YESIL_DFSG_ANEL	1
3	A6002315	10000013417	FAN_AKSIYEL_KONDENSER_AYAKSIZ_230V_43/10W_/7/31W_WEIGUANG	1
4	A6004537	10000013226	TERMOSTAT_DF/DFSG_EXPROOF_(-20°C/+36°C)	1
5	B6009989	10000011030	KABLO_BESLEME_200DFSG_FF_FISLI	1
6	Z0620085	10000010797	KABLO SC45 KOMPRESOR TOPRAK 300mm	1

K : KAHVERENGİ / BROWN
M : MAVİ / BLUE
S : SİYAH / BLACK
SY : SARI - YEŞİL / YELLOW - GREEN

TERMINALLERE C6021125 KODLU KILIF TAKILMALIDIR



# SINYAL LAMBASI OPSİYONEL OLARAK BELİRTİLMİŞTİR.		11.06.2020	CUMHUR MEYDAN	AYFER YAZ	ONER AKTAS
ITEM NO	NOTES	CHANGE DATE	CHECKED BY	APPROVED BY	APPROVED BY
SCALE	DRAWING NO.	DEĞ. TARİHİ	DEĞ. YAPAN	KONTROL EDEN	ONAYLAYAN
1:000	10000002500				
ÖLÇEK:	RESİM NO:	FIRST MADE FOR	İLK TASARLANAN MODEL		
GENEL TOLERANSLAR	PART NAME:	DEVRE ŞEMASI			
1-6 ±0.1	PARÇA ADI:	D 300 DFSG_GÜÇLENDİRİLMİŞ GÖVDE			
6-30 ±0.2	MALZEME:				
30-100 ±0.3	PART CODE:	REFERANS ÜRÜN KODU : 285886-285887			
100-300 ±0.5	PAPER SIZE	A3	NAME/ADI-SOYADI	SIGNATURE/İMZA	DATE/TARİH
300-1000 ±0.8	KAĞIT EBADİ:		ABDULLAH YILMAZ		29.12.2014
1000-2000 ±1.2	ÇİZEN:		SENCER BAŞARIR		
ANGLE/ACI:	KONTROL EDEN:		ONER AKTAS		
±15°	APPROVED BY				
MODELNAME:		DIRECTORY: \\Klimasan\ortak\MARKE\TEKNİKRESİMLER\2#ELEKTRİK			