

SCHALTPLAN

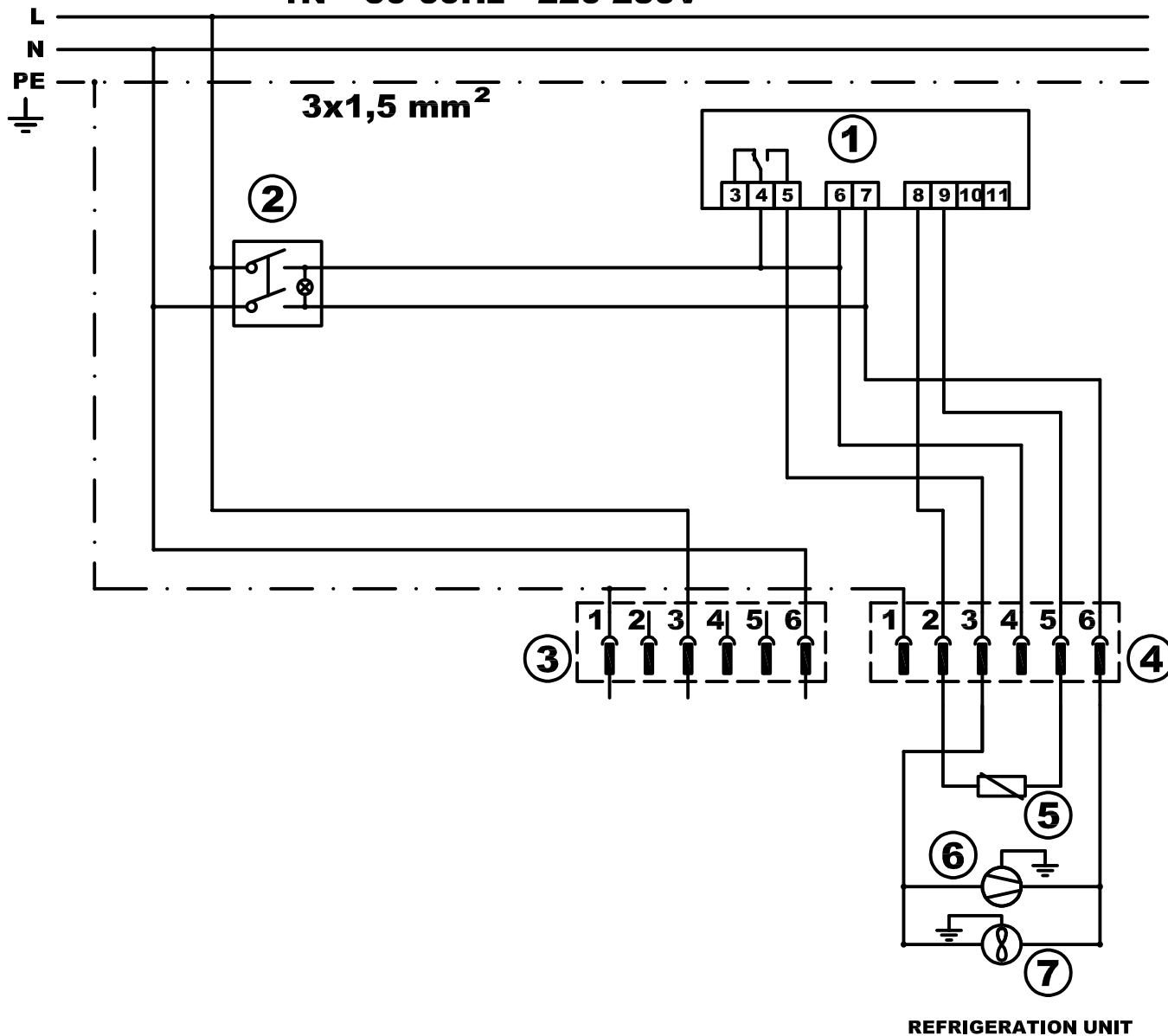


KBS Gastrotechnik GmbH – Schoßbergstraße 26 – 65201 Wiesbaden

REFRIGERATED TOP PLATE FOR 2GN, 3GN, 4GN, 5GN

DRW- 211, 311, 411, 511

1N ~ 50-60Hz 220-230V



REFRIGERATION UNIT

- ① Controller
- ② Power switch
- ③ Conector cover A
- ④ Conector cover B
- ⑤ Temperature sensor
- ⑥ Compresor
- ⑦ Condenser fan