

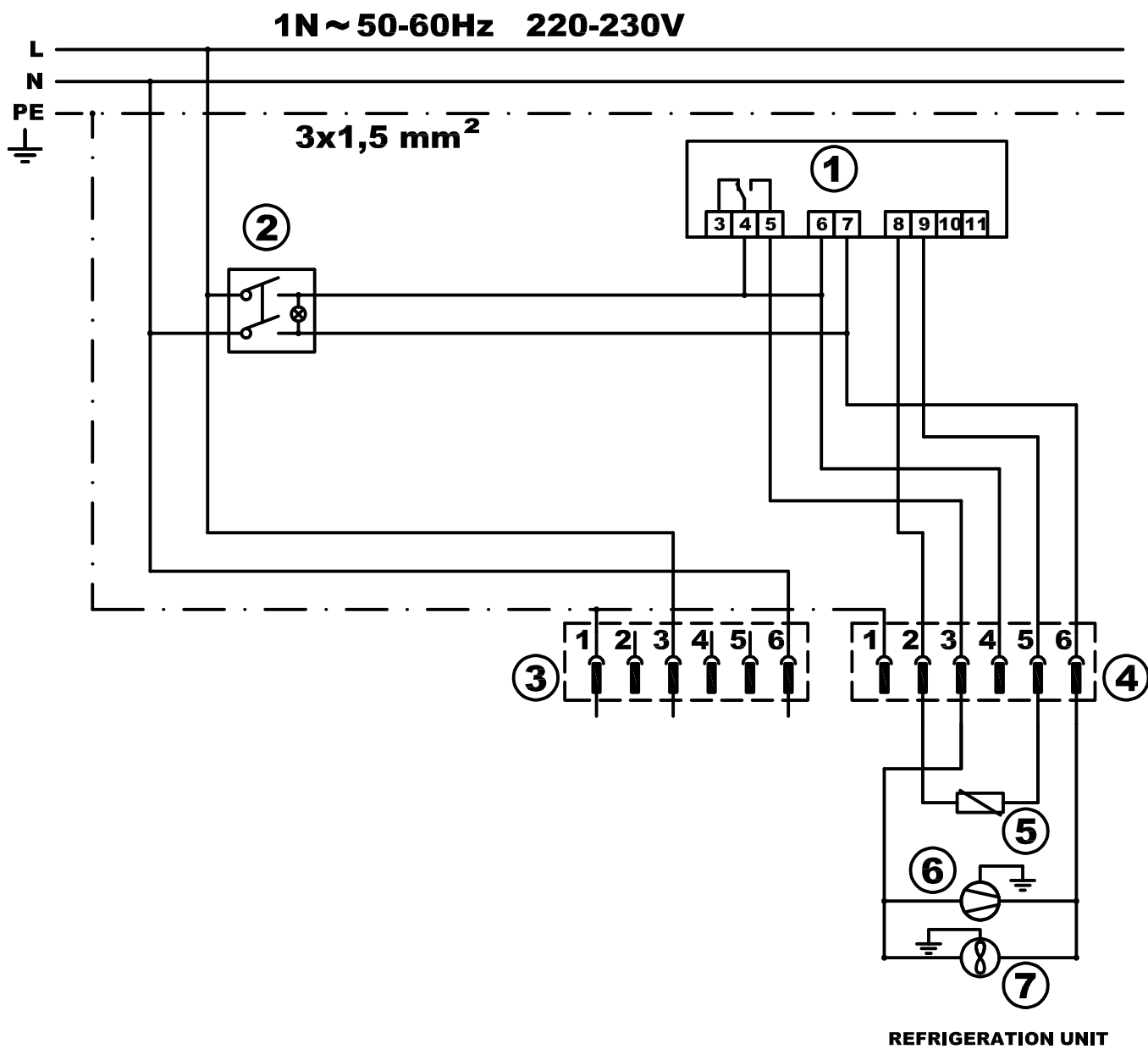
SCHALTPLAN



KBS Gastrotechnik GmbH – Schoßbergstraße 26 – 65201 Wiesbaden

REFRIGERATED TOP PLATE FOR 2GN, 3GN, 4GN, 5GN

DRW- 211, 311, 411, 511



- ① Controller
- ② Power switch
- ③ Conector cover A
- ④ Conector cover B
- ⑤ Temperature sensor
- ⑥ Compresor
- ⑦ Condenser fan