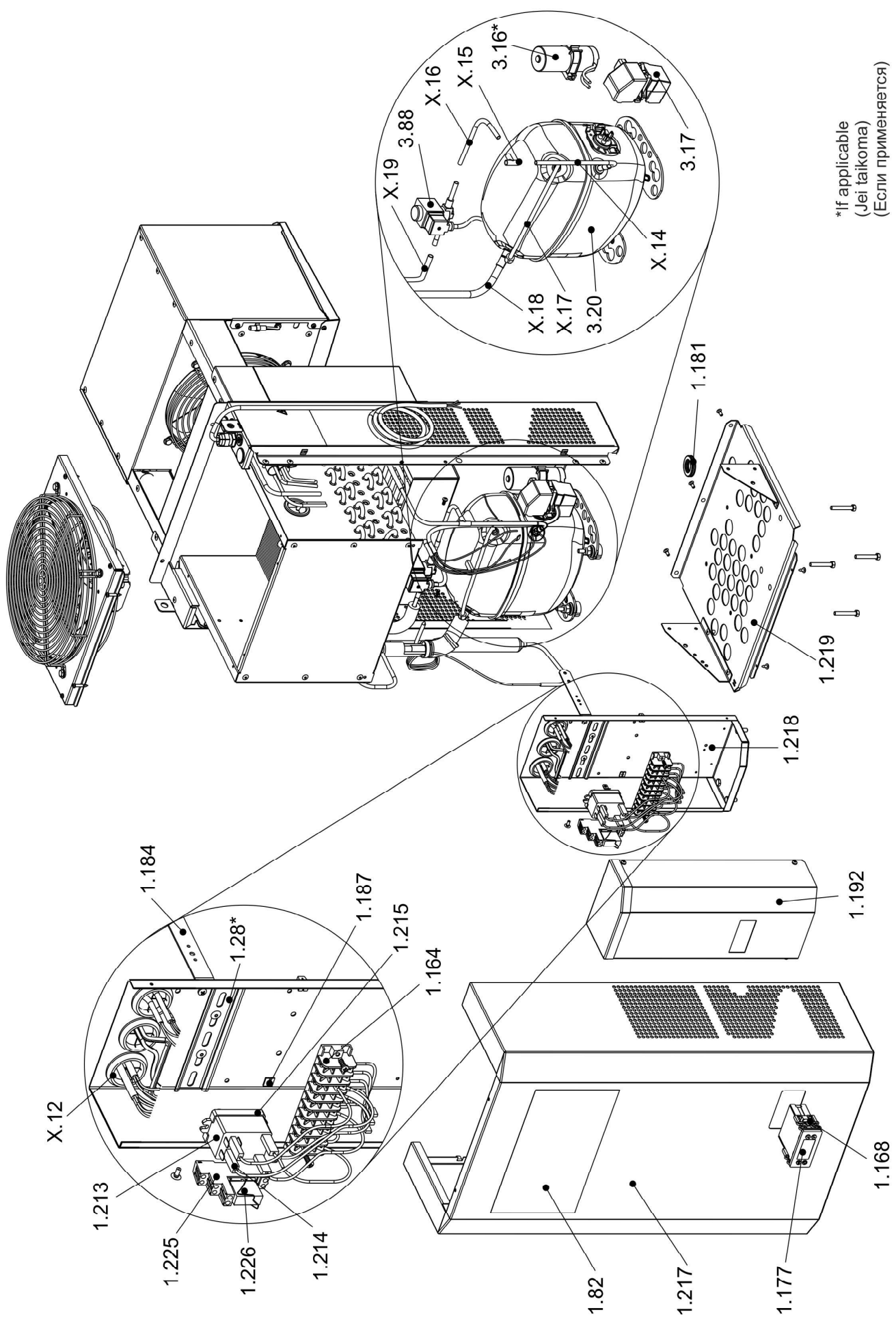


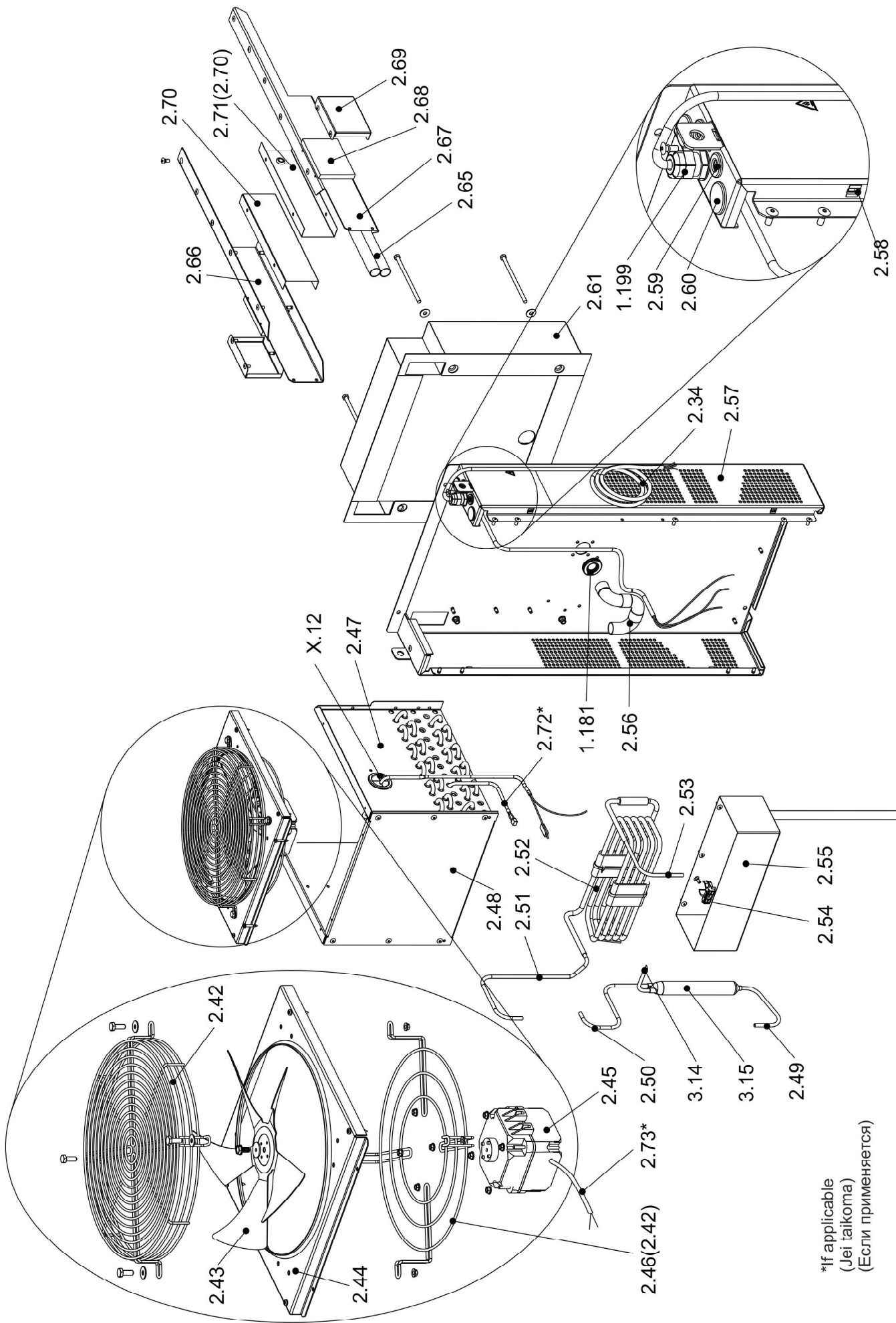
# EXPLOSIONSZEICHNUNG



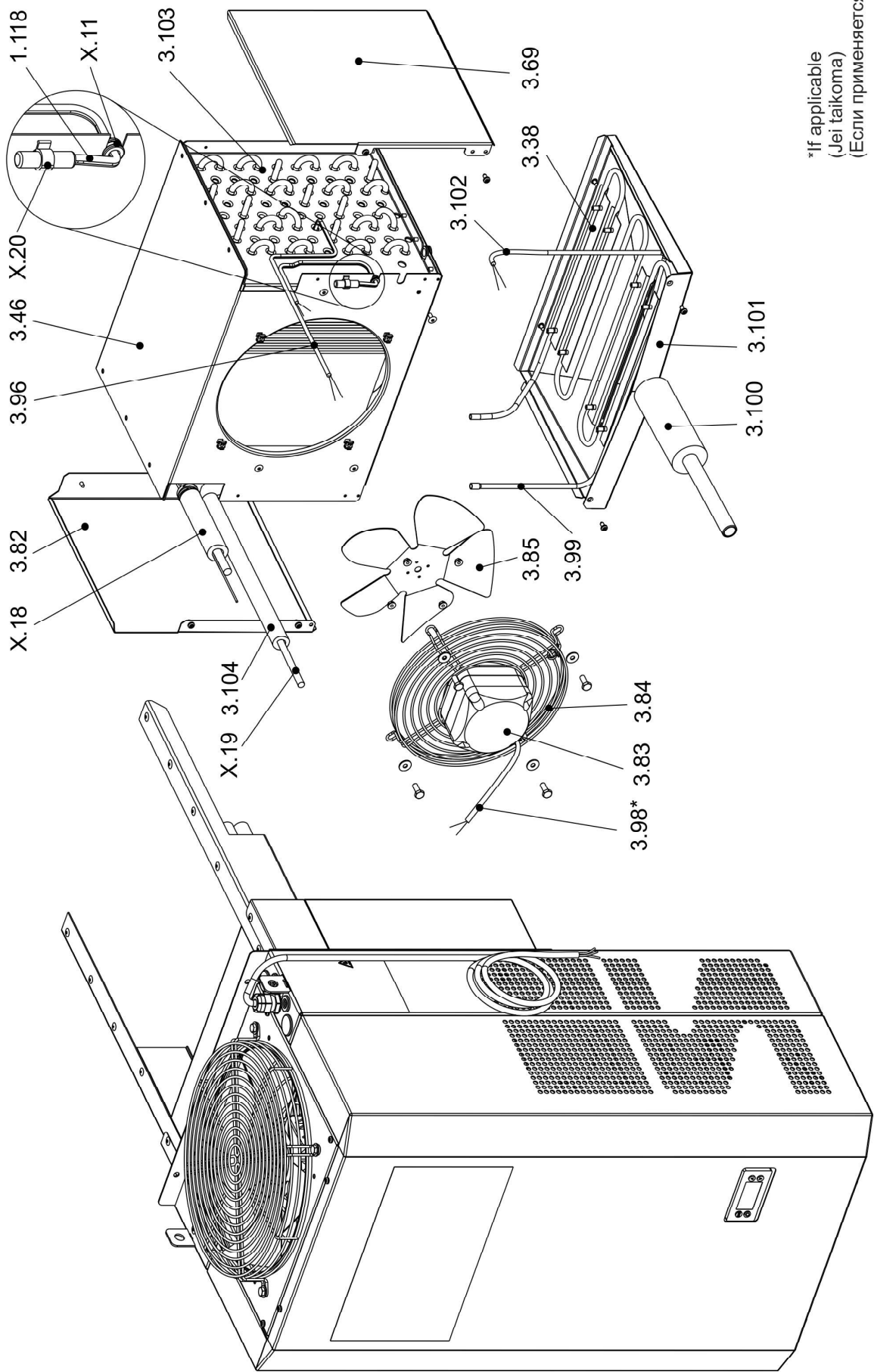
KBS Gastrotechnik GmbH – Schoßbergstraße 26 – 65201 Wiesbaden



\*if applicable  
(Jei taikoma)  
(Если применяется)



\*if applicable  
 (Јеј тајкома)  
 (Если применяется)



\*if applicable  
 (Јei taikoma)  
 (Если применяется)

# List of details

<b>Item mark</b>	<b>Product code</b>	<b>Title</b>
X.11	D212293-00	Bushing
X.12	D212294-00	Bushing
X.14	M175521-00	Tube
X.15	M175499-00	Tube (Three-pronged)
X.16	M175529-00	Tube
X.17	M175524-00	Tube
X.18	V175178-01	Suction tube
X.19	M175523-00	Tube
X.20	D100226-00	Holder
1.28	M260030-00	Slide system
1.82	D867733-00xxKB	Plate
1.118	V420121-00	Temperature sensor
1.164	S267030	Terminal block
1.168	D100218-00	Holder
1.177	S387050-01	Controller
1.181	D212292-00	Bushing
1.184	M120302-01-4	Bracket
1.187	D322091-00	Plug
1.192	V314010-00-01	Cover
1.199	V100013-00	Holder
1.213	S389001-00	Relay
1.215	S389002-00	Adapter
1.217	M062145-01-4IO1	Front panel
1.218	M004010-01-4	Frame
1.219	V043067-03	Suport for compr. fixing
1.225	S389004-00	Frame
1.226	S389003-00	Relay
2.34	V503130-00	Wiring
2.42	M336036-00	Grille
2.43	D437006-01	Impeler
2.44	M314042-00-1IO1	Cover

<b>Item mark</b>	<b>Product code</b>	<b>Title</b>
2.45	S800072	Fan motor
2.46	V100014-00	Grille
2.46	V100014-00-01	Grille
2.47	S270128-00	Condenser
2.48	M314043-00-4	Cover
2.49	M175527-00	Tube
2.50	M175526-00	Tube
2.51	M175515-00	Tube
2.52	V175168-00	Tube
2.53	M175522-00	Tube
2.54	D100228-00	Holder
2.55	V357163-00	Container
2.56	D175544-00	Tube
2.57	V005066-00-01	Frame
2.58	M271011	Retainer
2.59	D212291-00	Bushing
2.60	D212300-00	Bushing
2.61	V742002-00	Partition
2.65	D212299-00	Bushing
2.66	M198028-03-4IO1	Profile
2.67	M198028-02-4IO1	Profile
2.68	D156221-00	Spacer
2.69	M314046-00-1IO1	Cover
2.71	M314041-02-4IO1	Cover
2.72	V420148-00	Sensor
3.14	M175136-01	Technological tube
3.15	V433021-00	Filter-dryer
3.17	KRNT2210U-G1	Starting relay
3.20	KKNT2210U-G1	Compressor
3.38	M150497-00-9	Plate
3.46	M314040-00-D	Cover
3.69	M314039-00-D	Cover
3.82	M314038-00-D	Cover

<b>Item mark</b>	<b>Product code</b>	<b>Title</b>
3.83	S800071	Fan motor
3.84	M336028-00	Grille
3.85	D437005-00	Blower impeller
3.88	S456013-00	Valve
3.96	V420136-00	Sensor
3.99	M175532-00	Tube
3.100	D212297-00	Bushing
3.101	V357162-00	Container
3.102	V421009-00	Heater
3.103	V430606-00	Evaporator
3.104	D212169-05	Bushing