

# EXPLOSIONSZEICHNUNG



KBS Gastrotechnik GmbH – Schoßbergstraße 26 – 65201 Wiesbaden



**IMPORTANT NOTE:**

Locate the Specification Label on unit to determine exact Model Name and electrical specifications. This information is needed to identify the correct replacement parts. See exploded view illustration(s) for Specification Label location.

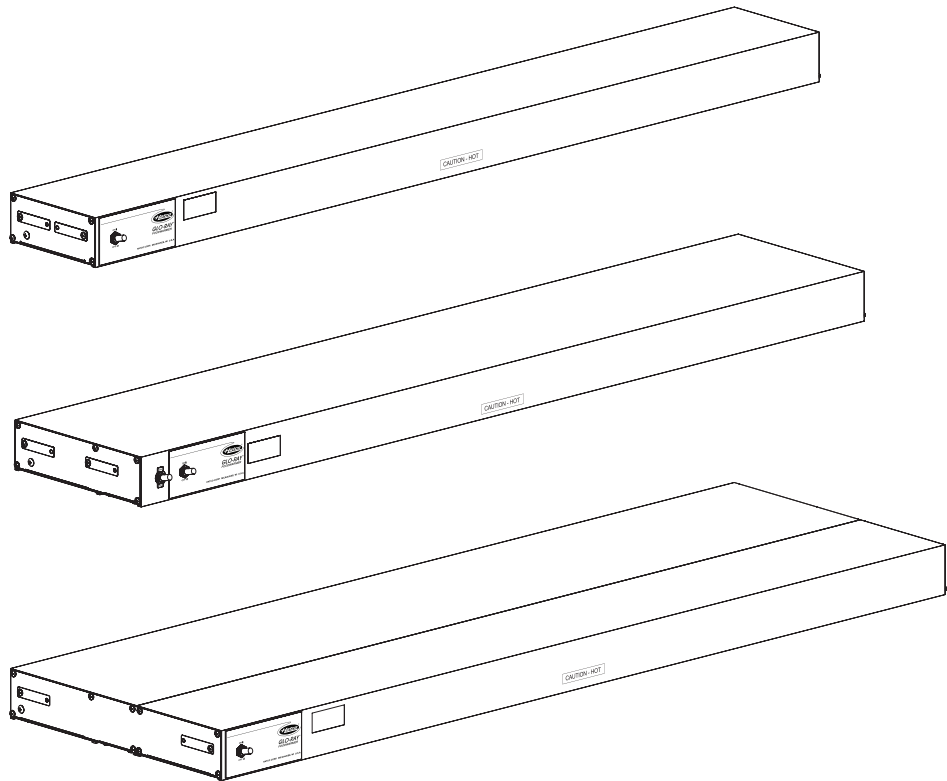


Use of replacement parts other than those supplied by Hatco Corporation may result in damage to unit or injury to personnel and will void all warranties.

# Glo-Ray® Infrared Strip Heaters

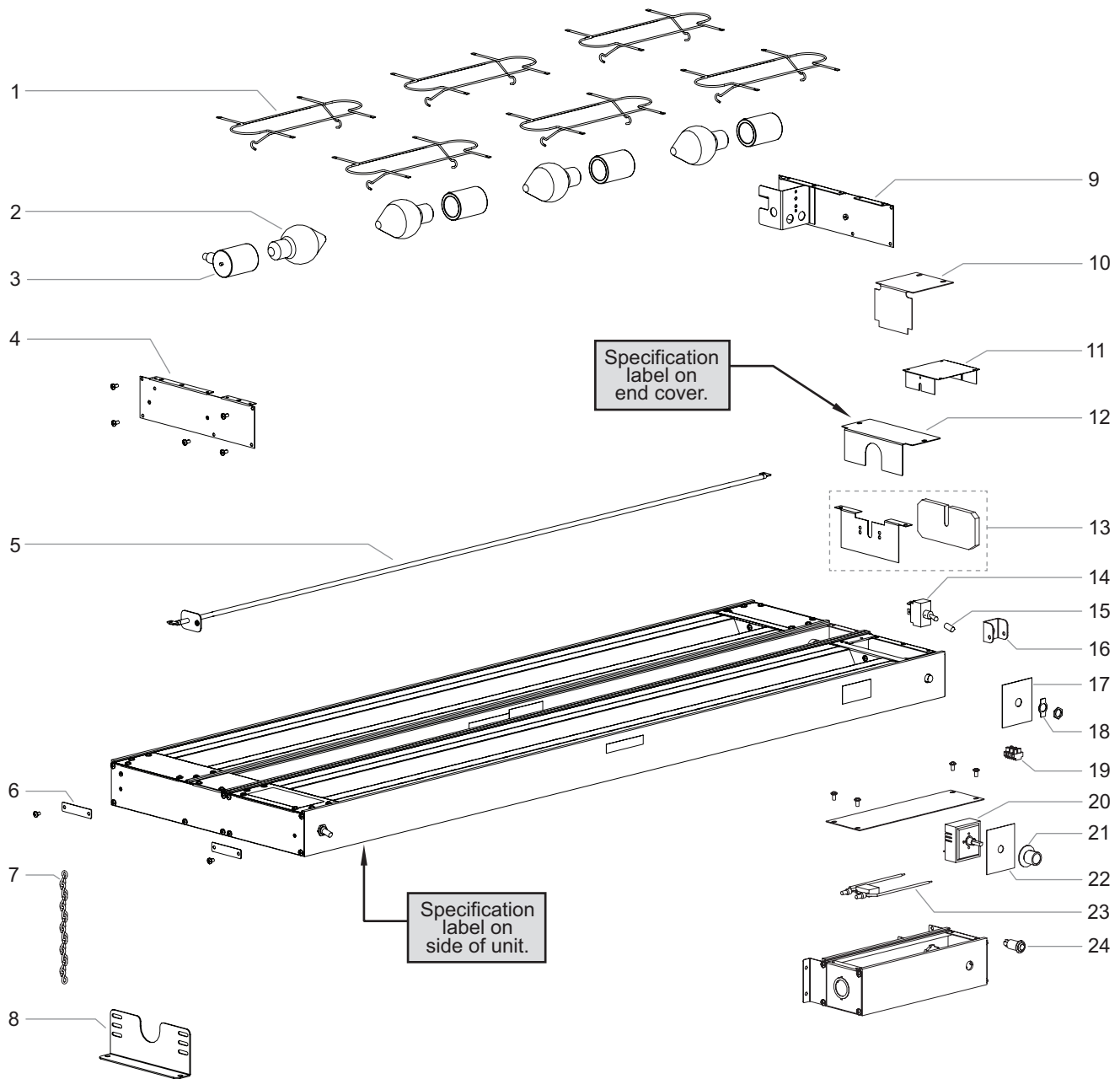
## *GRA, GRAH, GRAL, and GRAHL Series*

<u>Model Name</u>	<u>Page</u>	<u>Model Name</u>	<u>Page</u>
All Models.....	2	Options and Accessories .....	6
Heating Elements.....	4-5		



# Replacement Parts List

**Glo-Ray® Strip Heaters**  
**GRA, GRAH, GRAL, and GRAHL Series**



NOTE: Custom units may not be included in this parts list.

NOTE: The last four digits in a ten digit numerical serial number are the manufacturing date code.

Example: Serial number 9625062231 has a date code of "2231" which indicates the following: 2231

Week Thirty-One  
 Year 2022

## Parts for Glo-Ray Strip Heaters

Item	Description	Part No.	Qty.
1	Wire Guard See "Wire Guards" Table below		1-20
2	Light Bulb, Coated, 40 W		
	100, 120 V	02.30.265.00	2-23
	220, 240, 220-230, 230-240 V	02.30.266.00	2-23
3	Light Socket		
	Single, 24" Leads, Standard Watt	02.30.044.00	1
	Single, 9" Leads, Standard Watt	02.30.096.00	1-11
	Single, 24" Leads, High Watt	02.30.051.00	1-12
	Single, 9" Leads, High Watt	02.30.050.00	1-11
	Dual, Standard Watt	02.30.045.00	1-5
	Dual, High Watt	02.30.047.00	1-5
4	End Plate, Right Side		
	6"	04.09.051.00	1
	9"	04.09.114.00	1
	15"	04.10.018.00	1
	18"	04.15.299.00	1
5	Heating Elements	See Pages 4 & 5	
6	Hanger Tab	04.08.042.00	4
7	Chain		
	#12	05.03.021.00	1
	#14	05.03.020.00	1
8	Adjustable Angle Bracket	04.25.374.00	2-4
9	End Plate, Left Side		
	6"	04.09.057.00	1
	9"	04.09.115.00	1
	15"	04.10.028.00	1
	18"	04.15.299.00	1
10	Section Cover Plate, 3"	04.08.067.00	2
11	Tandem Center Cover	04.37.080.00	1-2
12	End Cover, Wiring Barrier	04.37.091.00	2
13	Backup Element Support Plate (includes insulation)	R04.09.056.00	2
14	Toggle Switch		
	100 and 120 V, 15 A (SPST)	R02.19.016.00	1-2
	208, 220, 240 V, 15 A (DPST)	R02.19.008A.00	1-2
	208, 220, 240 V, 20 A (DPST)	R02.19.006.00	1-2

Item	Description	Part No.	Qty.
15	Toggle Switch Cap/Boot		
	Slip On	02.20.283.00	1-2
	Threaded	02.20.040.00	1-2
16	Toggle Switch Guard	04.01.038.00	1-2
17	Label, Toggle Switch	07.01.035.00	1-2
18	Indicator Plate, Toggle Switch		
	100, 120, 208, 220, 240 V	07.01.058.00	1-2
	220-230 and 230-240 V	07.01.214.00	1-2
19	Terminal Block (CE only)		
	26 A	R02.15.030.00	1
	44 A	R02.15.029.00	1
20	Infinite Switch w/ Knob		
	100 V	R02.19.160.00	1-2
	120 V	R02.19.018.00	1-2
	208 V	R02.19.017.00	1-2
	220, 240, 220-230 V, 230-240 V	R02.19.019.00	1-2
21	Knob, Infinite Switch	05.30.043.00	1-2
22	Label, Infinite Switch	07.01.034.00	1-2
23	Noise Suppression (CE only)	02.13.306.00	1
24	Indicator Light		
	Red, 100 and 120 V	02.19.154.00	1
	Red, 208 and 240 V	02.19.151.00	1
	Green (220-230 and 230-240 V)	02.19.150.00	1
	Wiring Diagrams		
	18-96" Models		
	100, 120, 208, 240 V	HS1-1442	
	220 V Export	HS1-3164	
	240 V Export	HS1-3165	
	220-230 V	HS1-4234	
	230-240 V	HS1-4235	
	108-144" Tandem Models		
	Standard Watt	HS1-2499	
	High Watt	HS1-3059	

The shaded areas contain electrical information for **international models only**.

*NOTE: Quantities shown as a range (example = "1-2") are dependent upon the width and/or depth of unit.*

## Wire Guards

Item	Description	Part No.	Qty.
1	Wire Guard		
	18" Models	04.37.100.00	1
	24" Models	04.37.100.00	1
	30" Models	04.37.100.00	2
	36" Models	04.37.100.00	2
	42" Models	04.37.100.00	3
	48" Models	04.37.100.00	3
	54" Models	04.37.100.00	4
	60" Models	04.37.100.00	4

Item	Description	Part No.	Qty.
1	Wire Guard		
	66" Models	04.37.100.00	5
	72" Models	04.37.100.00	5
	84" Models	04.37.100.00	6
	96" Models	04.37.100.00	7
	108" Models	04.37.100.00	8
	120" Models	04.37.100.00	8
	132" Models	04.37.100.00	10
	144" Models	04.37.100.00	10

*NOTE: Dual models have twice the wire guard quantities shown.*

## Heating Elements for Standard Wattage Units

Item	Description	Part No.	Qty.
5	18" Width, 250 W		
	120 V	R02.08.031D.00	1
	208 V	R02.08.040D.00	1
	240 V	R02.08.035E.00	1
	220 V	R02.08.037E.00	1
	24" Width, 350 W		
	120 V	R02.08.001D.00	1
	208 V	R02.08.002D.00	1
	240 V	R02.08.003E.00	1
	220 V	R02.08.041E.00	1
	30" Width, 450 W		
	120 V	R02.08.026D.00	1
	208 V	R02.08.027D.00	1
	240 V	R02.08.028E.00	1
	220 V	R02.08.042E.00	1
	36" Width, 575 W		
	120 V	R02.08.004D.00	1
	208 V	R02.08.005D.00	1
	240 V	R02.08.006E.00	1
	220 V	R02.08.043E.00	1
	42" Width, 675 W		
	120 V	R02.08.007D.00	1
	208 V	R02.08.008D.00	1
	240 V	R02.08.009E.00	1
	220 V	R02.08.039E.00	1
	48" Width, 800 W		
	120 V	R02.08.010D.00	1
	208 V	R02.08.011D.00	1
	240 V	R02.08.012E.00	1
	220 V	R02.08.045E.00	1
	54" Width, 925 W		
	120 V	R02.08.025D.00	1
	208 V	R02.08.029D.00	1
	240 V	R02.08.030E.00	1
	220 V	R02.08.046E.00	1
	60" Width, 1050 W		
	120 V	R02.08.013D.00	1
	208 V	R02.08.014D.00	1
	240 V	R02.08.015E.00	1
	220 V	R02.08.047E.00	1
	66" Width, 1160 W		
	120 V	R02.08.032D.00	1
	208 V	R02.08.033D.00	1
	240 V	R02.08.034E.00	1
	220 V	R02.08.048E.00	1

Item	Description	Part No.	Qty.
5	72" Width, 1275 W		
	120 V	R02.08.016D.00	1
	208 V	R02.08.017D.00	1
	240 V	R02.08.018E.00	1
	220 V	R02.08.049E.00	1
	84" Width, 1500 W		
	120 V, 1500 W	R02.08.019D.00	1
	120 V, 1350 W *	R02.08.007D.00	2
	208 V	R02.08.020D.00	1
	240 V	R02.08.021E.00	1
	220 V	R02.08.050E.00	1
	96" Width, 1725 W		
	120 V, 1725 W	R02.08.022D.00	1
	120 V, 1600 W *	R02.08.010D.00	2
	208 V	R02.08.023D.00	1
	240 V	R02.08.024E.00	1
	220 V	R02.08.051E.00	1
	108" Width, 1850 W *		
	120 V	R02.08.025D.00	2
	208 V	R02.08.029D.00	2
	240 V	R02.08.030E.00	2
	220 V	R02.08.046E.00	2
	120" Width, 2800 W *		
	120 V	R02.08.013D.00	2
	208 V	R02.08.014D.00	2
	240 V	R02.08.015E.00	2
	220 V	R02.08.047E.00	2
	132" Width, 2320 W *		
	120 V	R02.08.032D.00	2
	208 V	R02.08.033D.00	2
	240 V	R02.08.034E.00	2
	220 V	R02.08.048E.00	2
	144" Width, 2550 W *		
	120 V	R02.08.016D.00	2
	208 V	R02.08.017D.00	2
	240 V	R02.08.018E.00	2
	220 V	R02.08.049E.00	2

**NOTE:** Standard Glo-Ray models in 108"-144" widths **always** contain tandem (end-to-end) elements. Custom Glo-Ray models in 36"-96" widths **may** contain tandem (end-to-end) elements, if specially made.

\* Tandem models

The shaded areas contain electrical information for **international models only**.

## Heating Elements for High Wattage Units

Item	Description	Part No.	Qty.
5	18" Width, 350 W		
	120 V	R02.08.126D.00	1
	208 V	R02.08.137D.00	1
	240 V	R02.08.135E.00	1
	100 V	R02.08.126D.00	1
	220 V	R02.08.138E.00	1
	24" Width, 500 W		
	120 V	R02.08.101D.00	1
	208 V	R02.08.102D.00	1
	240 V	R02.08.103E.00	1
	100 V	R02.08.561E.00	1
	220 V	R02.08.136E.00	1
	30" Width, 660 W		
	120 V	R02.08.127D.00	1
	208 V	R02.08.128D.00	1
	240 V	R02.08.129E.00	1
	100 V	R02.08.562E.00	1
	220 V	R02.08.139E.00	1
	36" Width, 800 W		
	120 V	R02.08.104D.00	1
	208 V	R02.08.105D.00	1
	240 V	R02.08.106E.00	1
	100 V	R02.08.563E.00	1
	220 V	R02.08.140E.00	1
	42" Width, 950 W		
	120 V	R02.08.107D.00	1
	208 V	R02.08.108D.00	1
	240 V	R02.08.109E.00	1
	100 V	R02.08.564E.00	1
	220 V	R02.08.141E.00	1
	48" Width, 1100 W		
	120 V	R02.08.110D.00	1
	208 V	R02.08.111D.00	1
	240 V	R02.08.112E.00	1
	100 V	R02.08.566E.00	1
	220 V	R02.08.142E.00	1
	54" Width, 1250 W		
	120 V	R02.08.125D.00	1
	208 V	R02.08.130D.00	1
	240 V	R02.08.131E.00	1
	220 V	R02.08.143E.00	1
	60" Width, 1400 W		
	120 V	R02.08.113D.00	1
	208 V	R02.08.114D.00	1
	240 V	R02.08.115E.00	1
	220 V	R02.08.144E.00	1
	66" Width, 1560 W		
	120 V, 1560 W	R02.08.132D.00	1
	Tandem		
	120 V, 1460 W	R02.08.104D.00	1
	120 V, 1460 W	R02.08.127D.00	1
	208 V	R02.08.133D.00	1
	240 V	R02.08.134E.00	1
	220 V	R02.08.145E.00	1

Item	Description	Part No.	Qty.
5	72" Width, 1725 W		
	120 V	R02.08.116D.00	1
	120 V*	R02.08.104D.00	2
	208 V	R02.08.117D.00	1
	240 V	R02.08.118E.00	1
	220 V	R02.08.148E.00	1
	84" Width, 2050 W		
	120 V, 1900 W	R02.08.107D.00	1
	208 V	R02.08.120D.00	1
	240 V	R02.08.121E.00	1
	220 V	R02.08.149E.00	1
	96" Width, 2400 W		
	120 V, 2200 W *	R02.08.110D.00	2
	208 V	R02.08.123D.00	1
	208 V, 2200 W *	R02.08.111D.00	2
	240 V	R02.08.124D.00	1
	240 V, 2200 W *	R02.08.112E.00	2
	220 V	R02.08.150E.00	1
	220 V, 2200 W *	R02.08.142E.00	2
	108" Width, 2500 W *		
	120 V	R02.08.125D.00	2
	208 V	R02.08.130D.00	2
	240 V	R02.08.131E.00	2
	220 V	R02.08.143E.00	2
	120" Width, 2800 W *		
	120 V	R02.08.113D.00	2
	208 V	R02.08.114D.00	2
	240 V	R02.08.115E.00	2
	220 V	R02.08.144E.00	2
	132" Width, 3120 W *		
	120 V	R02.08.132D.00	2
	208 V	R02.08.133D.00	2
	240 V	R02.08.134E.00	2
	220 V	R02.08.145E.00	2
	144" Width, 3450 W *		
	120 V	R02.08.116D.00	2
	208 V	R02.08.117D.00	2
	240 V	R02.08.118E.00	2
	220 V	R02.08.148E.00	2

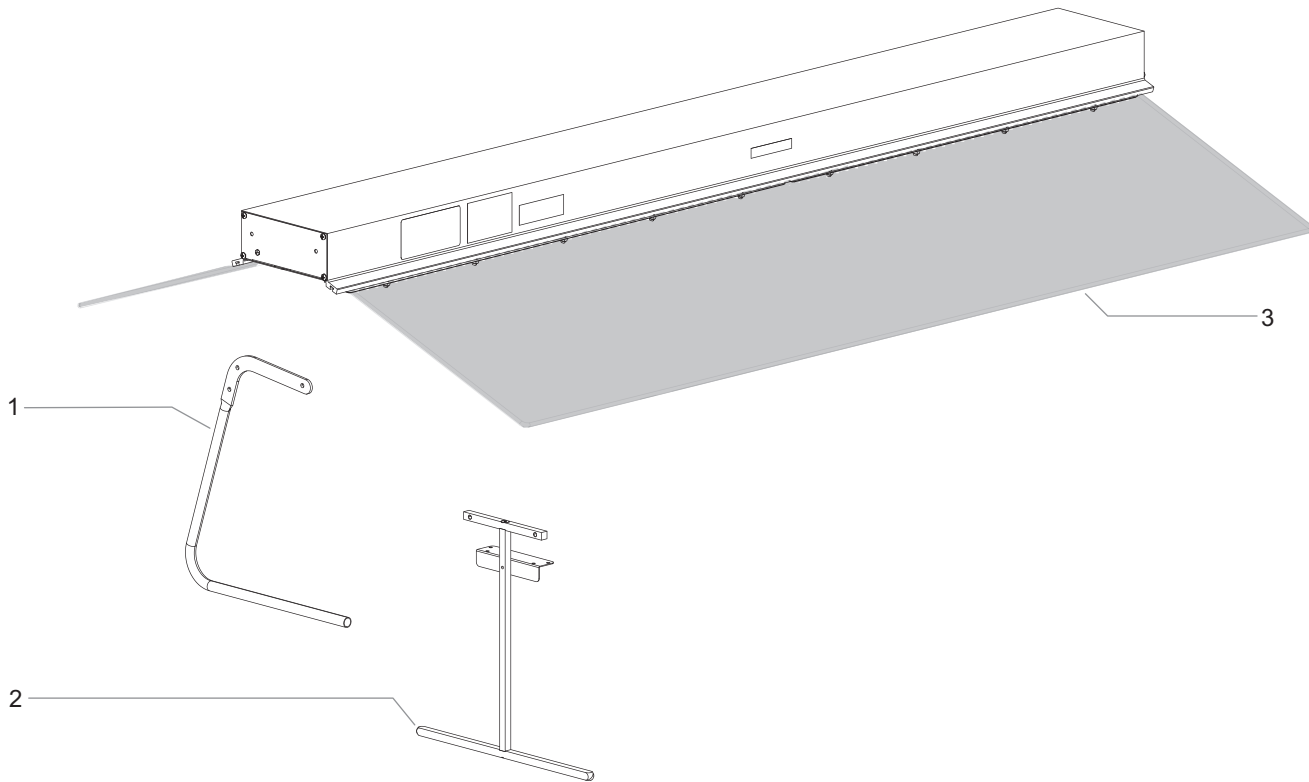
\* Tandem models

The shaded areas contain electrical information for **international models only**.

**NOTE:** Standard Glo-Ray models in 108"–144" widths **always** contain tandem (end-to-end) elements. Custom Glo-Ray models in 36"–96" widths **may** contain tandem (end-to-end) elements, if specially made.

# Glo-Ray® Strip Heaters

## Options and Accessories



Item	Description	Part No.	Qty.
1	C-Leg Stands		
	Standard Watt, 10" Clearance	R04.08.043.00	2
	High Watt, 13-1/2" Clearance	R04.08.071.00	2
2	T-Leg Stands		
	Standard Watt, 10" Clearance	R04.08.076.00	2
	High Watt, 13-1/2" Clearance	R04.08.075.00	2
	16" Clearance	R04.08.074.00	2
	18" Clearance	R04.08.073.00	2

*NOTE: Quantities shown as a range (example = "1-2") are dependent upon the width and/or depth of unit.*

Item	Description	Part No.	Qty.
3	Sneeze Guards (includes hardware and metal strips)		
	18" Width, 9-3/8" Deep	R00.05.0100.00	1-2
	18" Width, 14" Deep	R04.12.136.00	1-2
	24" Width, 9-3/8" Deep	R04.12.040.00	1-2
	24" Width, 14" Deep	R04.12.130.00	1-2
	30" Width, 9-3/8" Deep	R04.12.041.00	1-2
	30" Width, 14" Deep	R04.12.092.00	1-2
	36" Width, 9-3/8" Deep	R04.12.042.00	1-2
	36" Width, 14" Deep	R04.12.080.00	1-2
	42" Width, 9-3/8" Deep	R04.12.043.00	1-2
	42" Width, 14" Deep	R04.12.209.00	1-2
	48" Width, 9-3/8" Deep	R04.12.044.00	1-2
	48" Width, 14" Deep	R04.12.210.00	1-2
	54" Width, 9-3/8" Deep	R04.12.045.00	1-2
	54" Width, 14" Deep	R04.12.211.00	1-2
	60" Width, 9-3/8" Deep	R04.12.046.00	1-2
	60" Width, 14" Deep	R04.12.212.00	1-2
	66" Width, 9-3/8" Deep	R04.12.047.00	1-2
	66" Width, 14" Deep	R04.12.240.00	1-2
	72" Width, 9-3/8" Deep	R04.12.048.00	1-2
	72" Width, 14" Deep	R04.12.241.00	1-2
	84" Width, 9-3/8" Deep	R04.12.061.00	1-2
	84" Width, 14" Deep	R04.12.245.00	1-2
	96" Width, 9-3/8" Deep	R04.12.062.00	1-2
	96" Width, 14" Deep	R04.12.246.00	1-2





# AUTHORIZED PARTS DISTRIBUTORS • DISTRIBUTEURS DE PIÈCES AUTORISÉS

## ALABAMA

Jones McLeod Appl. Svc.  
Birmingham 205-251-0159

## ARIZONA

Tech 24  
Phoenix 602-234-2443

Byassee Equipment Co.  
Phoenix 602-252-0402

## CALIFORNIA

Industrial Electric  
Commercial Parts & Service, Inc.  
Huntington Beach 714-379-7100

Chapman Appl. Service  
San Diego 619-298-7106

P & D Appliance  
Commercial Parts & Service, Inc.  
S. San Francisco 650-635-1900

## COLORADO

Hawkins Commercial Appliance  
Englewood 303-781-5548

## FLORIDA

Whaley Foodservice Repair  
Jacksonville 904-725-7800

Whaley Foodservice Repair  
Orlando 407-757-0851

B.G.S.I./Heritage  
Pompano Beach 954-971-0456

Comm. Appliance Service  
Tampa 813-663-0313

## GEORGIA

Heritage Service Group  
Norcross 866-388-9837

## HAWAII

Burney's Comm. Service, Inc.  
Honolulu 808-848-1466

Food Equip Parts & Service  
Honolulu 808-847-4871

## ILLINOIS

Parts Town  
Addison 708-865-7278

Eichenauer Elec. Service  
Decatur 217-429-4229

Midwest Elec. Appl. Service  
Elmhurst 630-279-8000

Cone's Repair Service  
Moline 309-797-5323

## IOWA

Goodwin Tucker Group  
Des Moines 515-262-9308

## KENTUCKY

Tech 24  
Lexington 859-254-8854

Tech 24  
Louisville 502-451-5411

## LOUISIANA

Chandlers Parts & Service  
Baton Rouge 225-272-6620

## MARYLAND

Electric Motor Service  
Baltimore 410-467-8080

## MASSACHUSETTS

Ace Service Co., Inc.  
Needham 781-449-4220

## MICHIGAN

Bildons Appliance Service  
Detroit 248-478-3320

Commercial Kitchen Service  
Bay City 989-893-4561

Midwest Food Equip. Service  
Grandville 616-261-2000

## MISSOURI

General Parts  
Kansas City 816-421-5400

Commercial Kitchen Services  
St. Louis 314-890-0700

Kaemmerlen Parts & Service  
St. Louis 314-535-2222

## NEBRASKA

Anderson Electric  
Omaha 402-341-1414

## NEVADA

Burney's Commercial  
Las Vegas 702-736-0006

Hi. Tech Commercial Service  
N. Las Vegas 702-649-4616

## NEW JERSEY

Jay Hill Repair  
Fairfield 973-575-9145

Service Plus  
Flanders 973-691-6300

## NEW YORK

Alpro Service Co.  
Maspeth 718-386-2515

Duffy's - AIS  
Buffalo 716-884-7425

3Wire  
Plattsburgh 800-634-5005

Duffy's - AIS  
Sauquoit 800-836-1014

J.B. Brady, Inc.  
Syracuse 315-422-9271

## NORTH CAROLINA

Authorized Appliance  
Charlotte 704-377-4501

## OHIO

Akron/Canton Comm. Svc. Inc.  
Akron 330-753-6634

Tech 24  
Cincinnati 513-772-6600

Commercial Parts and Service  
Columbus 614-221-0057

Electrical Appl. Repair Service  
Brooklyn Heights 216-459-8700

E. A. Wichman Co.  
Toledo 419-385-9121

## OKLAHOMA

Hagar Rest. Service, Inc.  
Oklahoma City 405-235-2184

## OREGON

General Parts Group  
Portland 503-624-0890

## PENNSYLVANIA

Elmer Schultz Services  
Philadelphia 215-627-5401

FAST Comm. Appl. Service  
Philadelphia 215-288-4800

AIS Commercial Parts and Service  
Pittsburgh 412-809-0244

K & D Service Co.  
Harrisburg 717-236-9039

Electric Repair Co.  
Reading 610-376-5444

## RHODE ISLAND

Marshall Electric Co.  
Providence 401-331-1163

## SOUTH CAROLINA

Whaley Foodservice Repair  
Lexington 803-996-9900

## TENNESSEE

Camp Electric  
Memphis 901-527-7543

## TEXAS

Armstrong Repair Service  
Houston 713-666-7100

Cooking Equipment Specialist  
Mesquite 972-686-6666

Commercial Kitchen Repair Co.  
San Antonio 210-735-2811

## UTAH

La Monica's Rest. Equip. Service  
Murray 801-263-3221

## VIRGINIA

Daubers  
Norfolk 757-855-4097

Daubers  
Springfield 703-866-3600

## WASHINGTON

3Wire  
Seattle 800-207-3146

## WISCONSIN

A.S.C., Inc.  
Madison 608-246-3160

A.S.C., Inc.  
Milwaukee 414-543-6460

## CANADA

### ALBERTA

Key Food Equipment Service  
Edmonton 780-438-1690

### BRITISH COLUMBIA

Key Food Equipment Service  
Vancouver 604-433-4484

Key Food Equipment Service  
Victoria 250-920-4888

### MANITOBA

Air Rite, Inc.  
Winnipeg 204-895-2300

### NEW BRUNSWICK

EMR Services, Ltd.  
Moncton 506-855-4228

### ONTARIO

R.G. Henderson Ltd.  
Toronto 416-422-5580

Choquette - CKS, Inc.  
Ottawa 613-739-8458

### QUÉBEC

Choquette - CKS, Inc.  
Montreal 514-722-2000

Choquette - CKS, Inc.  
Québec City 418-681-3944

## UNITED KINGDOM

Marren Group  
Northants +44(0)1933 665313

### HATCO CORPORATION

P.O. Box 340500

Milwaukee, WI 53234-0500 U.S.A.

414-671-6350

partsandservice@hatcocorp.com

www.hatcocorp.com



24 Hour 7 Day Parts and Service  
Assistance available in the United States  
and Canada by calling 414-671-6350.