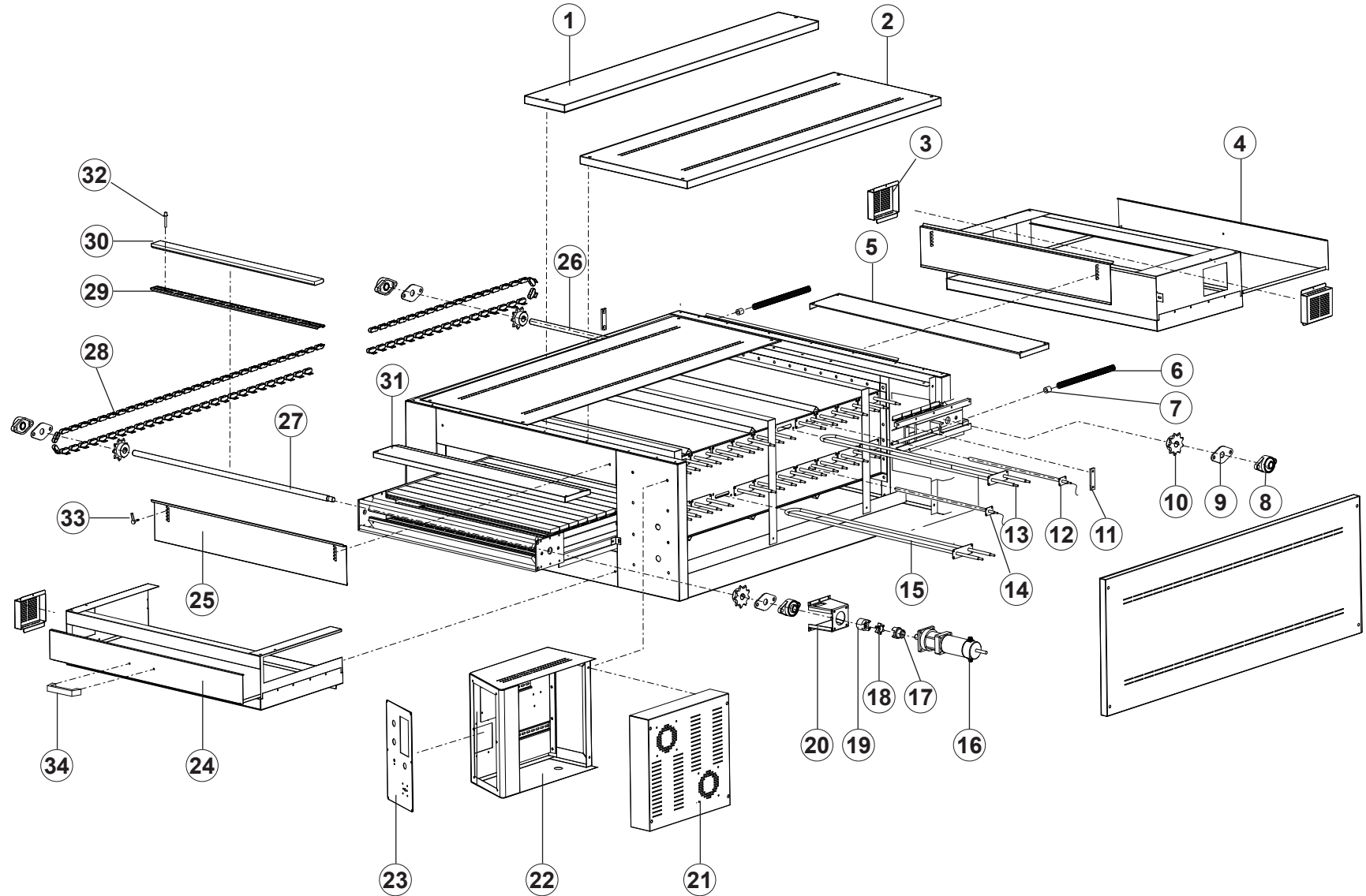


EXPLOSIONSZEICHNUNG

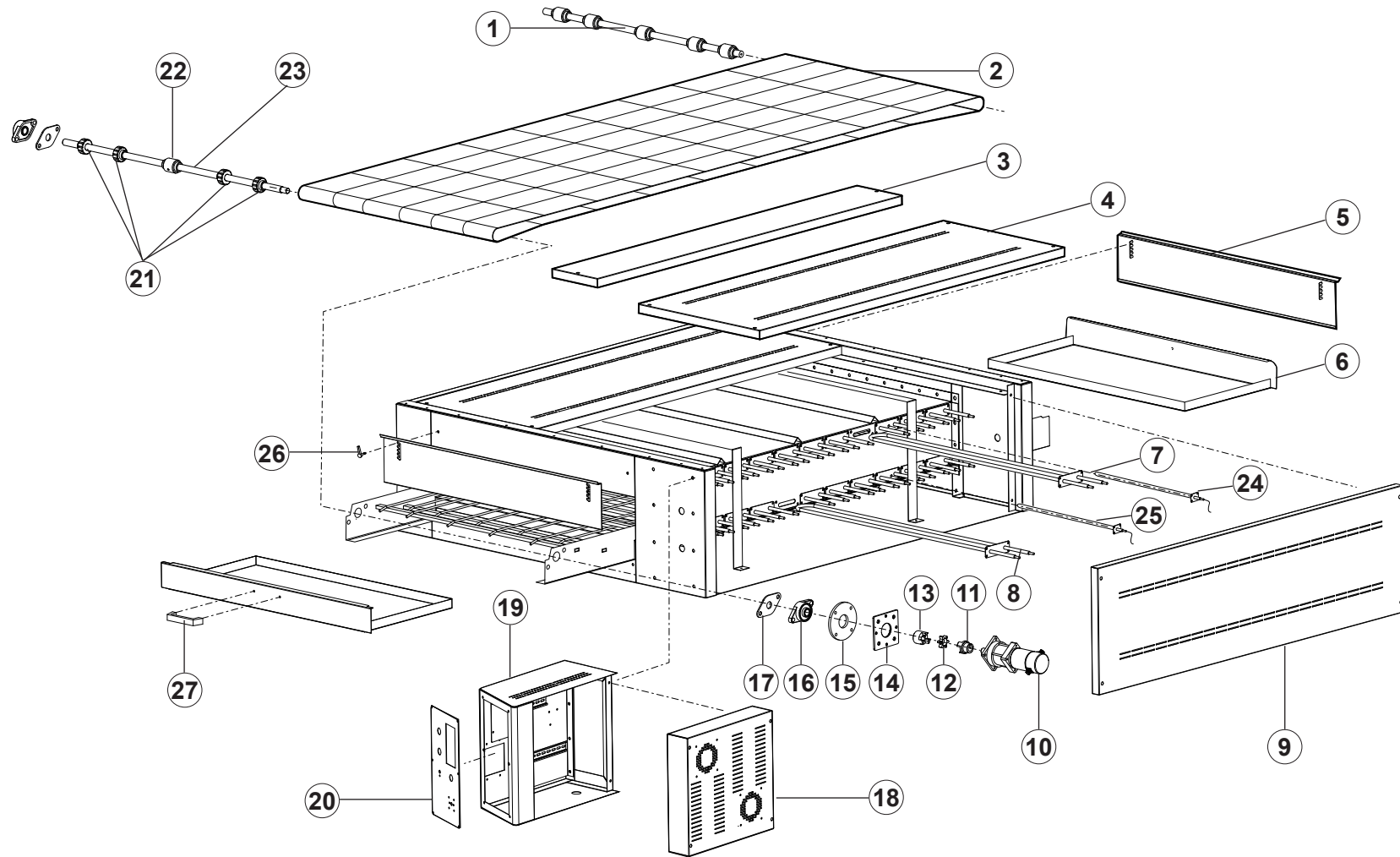


KBS Gastrotechnik GmbH – Schoßbergstraße 26 – 65201 Wiesbaden



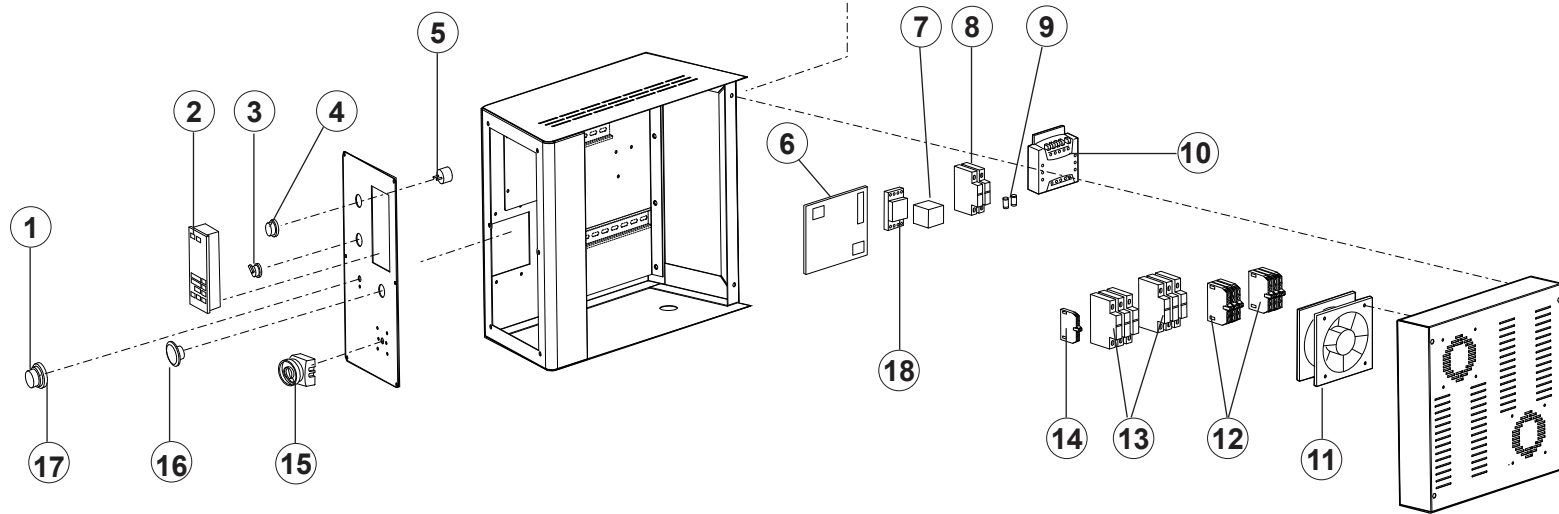
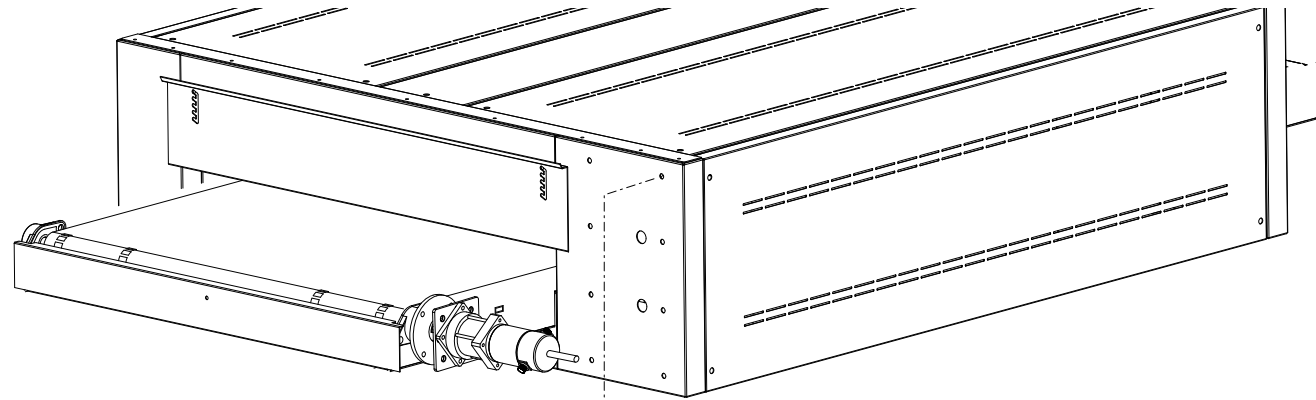
Pos.	Codice	Q.tà	Descrizione	Designation	Note
1	53100496	1	Pannello compensativo superiore	Superior panel	TSC
2	53100553	4	Pannello laterale asolato	Slotted side panel	TSC
2	53100471	4	Pannello laterale asolato	Slotted side panel	TSB
2	53100540	2	Pannello laterale asolato	Slotted side panel	TSA
3	55000041	3	Coperchio laterale cuscinetto	Side cover bearing	TSA/TSB/TSC
4	53100497	1	Pannello cassetto infornamento	Panel drawer firing	TSC
4	53100499	1	Pannello cassetto infornamento	Panel drawer firing	TSB
4	53100975	1	Pannello cassetto infornamento	Panel drawer firing	TSA
5	52900071	1	Carter protezione infornamento	Carter protection firing	TSC
5	52900078	1	Carter protezione infornamento	Carter protection firing	TSB
5	52900080	1	Carter protezione infornamento	Carter protection firing	TSA
6	80501008	2	Molla L=305mm	L=305mm Spring	TSC /TSB
6	80501006	2	Molla L=303mm	L=303mm Spring	TSA
7	54500011	2	Boccola	Sleeve	TSA/TSB/TSC
8	81323011	4	Cuscinetto	Bearing	TSA/TSB/TSC
9	57700013	4	Guarnizione	Seal	TSC
10	53700004	4	Ingranaggio pignone	Pinion gear	TSC
11	52300082	4	Piastra blocco molla	Lock plate spring	TSC
12	59500011	1	Termocoppia J4x50	J4x50 thermocouple	TSA/TSB/TSC
13	59100052	12	Resistenza corazzata 1300W	1300W Armoured heating element	TSC
13	59100055	9	Resistenza corazzata 1100W	1100W Armoured heating element	TSB
13	59100059	6	Resistenza corazzata 950W	950W Armoured heating element	TSA
14	59500012	1	Termocoppia J4x150	J4x50 thermocouple	TSA/TSB/TSC
15	59100057	12	Resistenza corazzata 1650W	1650W Armoured heating element	TSC
15	59100054	9	Resistenza corazzata 1300W	1300W Armoured heating element	TSB
15	59100115	6	Resistenza corazzata 1200W	1200W Armoured heating element	TSA
16	85104015	1	Motoriduttore	Gearmotor	TSC
16	85104014	1	Motoriduttore	Gearmotor	TSB

Pos.	Codice	Q.tà	Descrizione	Designation	Note
16	85104017	1	Motoriduttore	Gearmotor	TSA
17	55700003	1	Giunto 19A	19A coupling	TSA/TSB/TSC
18	81802001	1	Corona elastica	elastic crown	TSA/TSB/TSC
19	55700002	1	Giunto 24B	24B coupling	TSA/TSB/TSC
20	55100016	1	Flangia supporto motore	Flange motor support	TSA/TSB/TSC
21	53101012	1	Pannello chiusura consolle	Panel closing console	TSA/TSB/TSC
22	53100870	1	Assieme pannello comandi consolle	Assembly panel console	TSA/TSB/TSC
23	53100827	1	Pannello comandi frontalino	Control panel faceplate	TSA/TSB/TSC
24	53100498	1	Pannello cassetto sfornamento	Panel drawer unloading	TSC
24	53100500	1	Pannello cassetto sfornamento	Panel drawer unloading	TSB
24	53100976	1	Pannello cassetto sfornamento	Panel drawer unloading	TSA
25	53500046	2	Cappa scorrevole	Sliding range hood	TSC
25	53500044	2	Cappa scorrevole	Sliding range hood	TSB
25	53500054	2	Cappa scorrevole	Sliding range hood	TSA
26	55800010	1	Albero condotto	Duct shaft	TSC
26	55800012	1	Albero condotto	Duct shaft	TSB
26	55800026	1	Albero condotto	Duct shaft	TSA
27	55800011	1	Albero conduttore	Conductor shaft	TSC
27	55800013	1	Albero conduttore	Conductor shaft	TSB
27	55800025	1	Albero conduttore	Conductor shaft	TSA
28	24300002	2	Catena	Chaine	TSC
28	24300001	2	Catena	Chaine	TSB
28	24300004	2	Catena	Chaine	TSA
29	52000383	90	Supporto refrattario TSC	TSC refractory support	TSC
29	52000384	76	Supporto refrattario TSB	TSB refractory support	TSB

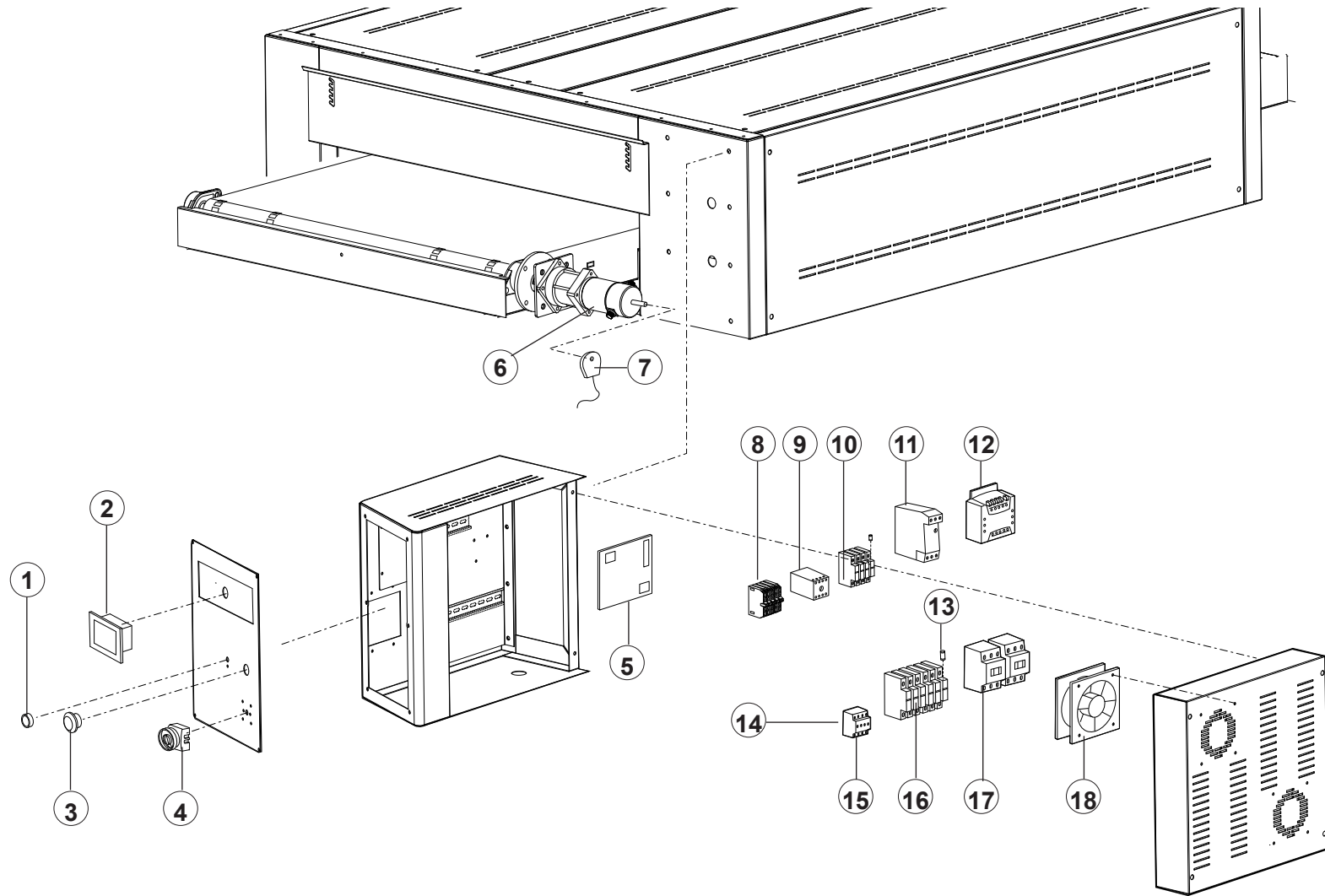


Pos.	Codice	Q.tà	Descrizione	Designation	Note
1	55800014	1	Albero condotto	Duct shaft	TCC
1	55800016	1	Albero condotto	Duct shaft	TCB
1	55800029	1	Albero condotto	Duct shaft	TCA
2	81703003	1	Nastro	Tape	TCC
2	81703001	1	Nastro	Tape	TCB
2	81703004	1	Nastro	Tape	TCA
3	53100496	1	Pannello compensativo superiore	Superior panel	TCC
4	53100553	2	Pannello asolato sup.	Slotted superior panel	TCC
4	53100713	2	Pannello asolato sup.	Slotted superior panel	TCB
4	53100585	2	Pannello asolato sup.	Slotted superior panel	TCA
5	53500046	2	Cappa scorrevole	Sliding range hood	TCC
5	53500044	2	Cappa scorrevole	Sliding range hood	TCB
5	53500054	2	Cappa scorrevole	Sliding range hood	TCA
6	53100572	1	Pannello cassetto infornamento	Carter protection firing	TCC
6	53100480	1	Pannello cassetto infornamento	Carter protection firing	TCB
6	53100709	1	Pannello cassetto infornamento	Carter protection firing	TCA
7	59100052	12	Resistenza corazzata 1300W=950 cielo	1300W=950 ceiling Armoured heating element	TCC
7	59100055	9	Resistenza corazzata 1100W=750 cielo	1100W=750 ceiling Armoured heating element	TCB
7	59100059	6	Resistenza corazzata 950W=615 cielo	950W=615 ceiling Armoured heating element	TCA
8	59100057	12	Resistenza corazzata 1650W=950 platea	1650W=950 floor Armoured heating element	TCC
8	59100054	6	Resistenza corazzata 1300W=750 platea	1300W=750 floor Armoured heating element	TCB
8	59100115	6	Resistenza corazzata 1200W=615 platea	1200W=615 floor Armoured heating element	TCA
9	53100714	2	Pannello laterale asolato	Slotted side panel	TCC
9	53100471	2	Pannello laterale asolato	Slotted side panel	TCB
9	53100560	2	Pannello laterale asolato	Slotted side panel	TCA
10	85104014	1	Motoriduttore	Gearmotor	TCC/TCB
10	85104017	1	Motoriduttore	Gearmotor	TCA

Pos.	Codice	Q.tà	Descrizione	Designation	Note
11	55700003	1	Giunto 19A	19A coupling	TCA/TCB/TCC
12	81802001	1	Corona elastica	Elastic crown	TCB
13	55700002	1	Giunto 24B	24B coupling	TCA/TCB/TCC
14	55100015	1	Flangia interna motoriduttore	Inner flange gear motor	TCA/TCB/TCC
15	55100012	1	Flangia esterna motoriduttore	Outer flange gear motor	TCA/TCB/TCC
16	81323006	2	Cuscinetto	Bearing	TCA/TCB/TCC
17	57700013	2	Guarnizione	Seal	TCA/TCB/TCC
18	53101012	1	Pannello chiusura consolle	Panel console closing	TCA/TCB/TCC
19	53100667	1	Assieme pannelli consolle comandi	Assembly panels console commands	TCA/TCB/TCC
20	53100827	1	Pannello comandi frontalino	Control panel faceplate	TCA/TCB/TCC
21	53700003	4	Ingranaggio traino rete	Gear towing network	TCA/TCB/TCC
22	57200003	3	Distanziale	Spacer	TCA
22	57200003	5	Distanziale	Spacer	TCB
22	57200003	10	Distanziale	Spacer	TCC
23	55800017	1	Albero conduttore	Conductor shaft	TCB
23	55800015	1	Albero conduttore	Conductor shaft	TCC
23	55800030	1	Albero conduttore	Conductor shaft	TCA
24	59500011	1	Termocoppia J4x50	J4x50 thermocouple	TCA/TCB/TCC
25	59500012	1	Termocoppia J4x150	J4x50 thermocouple	TCA/TCB/TCC
26	81217004	4	Maniglia	Handle	TCA/TCB/TCC
27	81217002	2	Maniglia cassetto	Drawer handle	

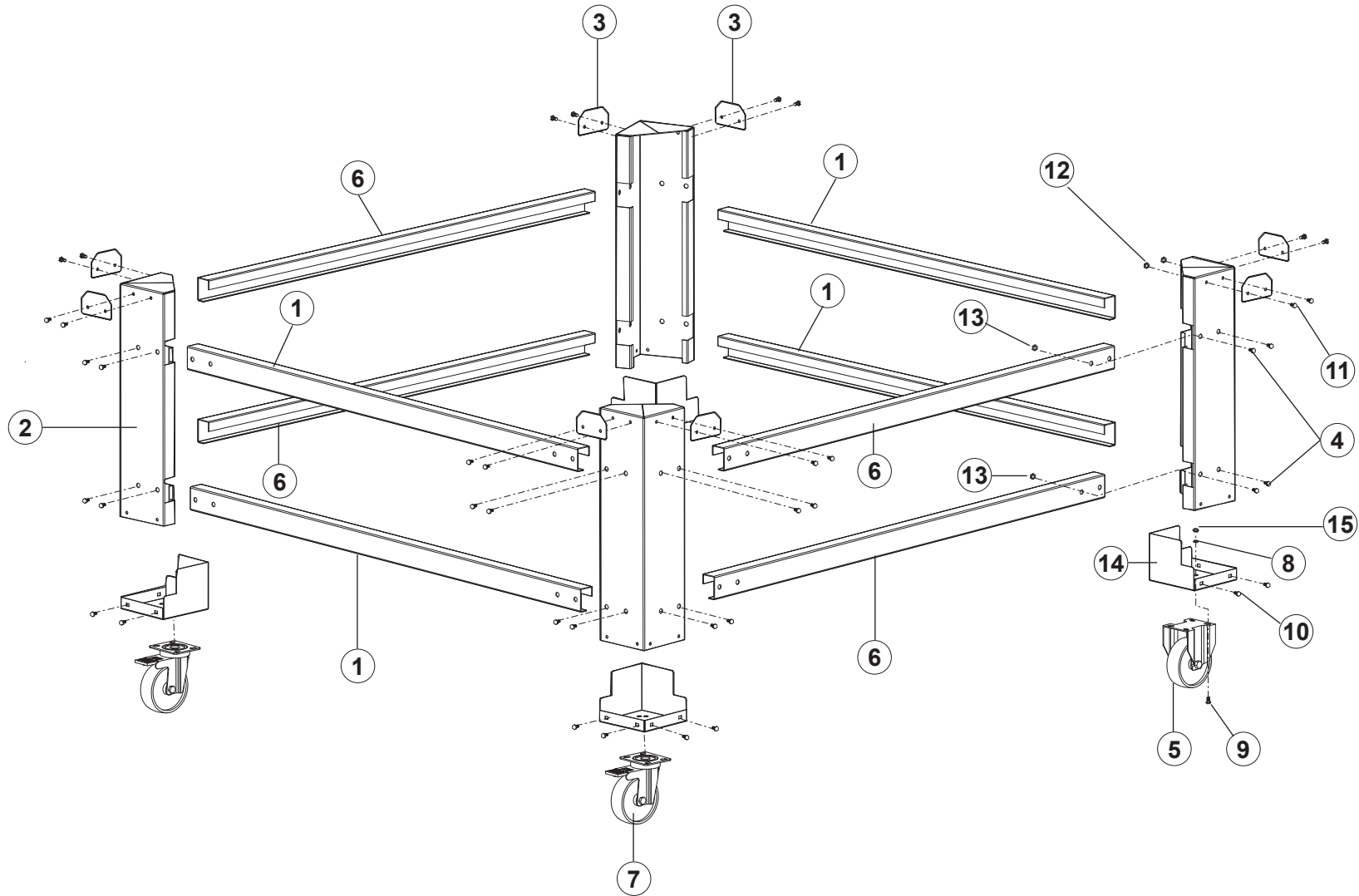


Pos.	Codice	Q.tà	Descrizione	Designation	Note
1	81229011	1	Manopola potenziometro	Potentiometer handle	
2	87101034	1	Regolatore digitale	Digital controller	
3	86125017	1	Interruttore leva 2 posizioni	Switch lever 2 positions	
4	86125012	1	Interruttore	Switch	
5	86125013	1	Interruttore corpo pulsante verde	Switch body green button	
6	87101040	1	Scheda di regolazione	Regulation board	
7	86115006	1	Relays octal	Relays octal	
8	86121007	1	Portafusibile	Fuse holder	
9	86120003	2	Fusibile 2A	2A Fuse	TSA/TSB/TSC/TCA/TCB/TCC
9	86120004	2	Fusibile 6A	6A Fuse	TSA/TSB/TSC/TCA/TCB/TCC
9	86120006	6	Fusibile 20A	20A Fuse	TSA/TSB/TCA/TCB
9	86120001	6	Fusibile 32A	32A Fuse	TSC/TCC
10	86103012	1	Trasformatore	Transformer	
11	851020018	2	Ventilatore	Fan	
12	86112020	2	Contattore	Meter	
13	86121005	2	Portafusibile	Fuse holder	
14	86208006	1	Morsetto terra	Ground terminal	
15	86125032	1	Interruttore	Switch	
16	86125014	2	Interruttore emergenza	Emergency switch	
17	22700001	1	Potenziometro	Potentiometer	
18	86116001	1	Zoccolo relè	Base relay	



Pos.	Codice	Q.tà	Descrizione	Designation	Note
1	86125012	1	Interruttore verde	Green switch	TSA/TSB/TSC/TCA/TCB/TCC
2	87101086	1	PLC	PLC	TSA/TSB/TSC/TCA/TCB/TCC
3	86125014	1	Fungo d'emergenza	Emergency switch	TSA/TSB/TSC/TCA/TCB/TCC
4	86125032	1	Interruttore	Switch	TSA/TSB/TSC/TCA/TCB/TCC
5	87101105	1	Scheda di regolatore	Regulation board	TSA/TSB/TSC/TCA/TCB/TCC
6	85104014	1	Motoriduttore 45W 24VCC RPM14	45W 24VCC RPM14 Gear motor	TSB / TCC / TCB
6	85104015	1	Motoriduttore 90W 24VCC RPM14	90W 24VCC RPM14 Gear motor	TSC
6	85104017	1	Motoriduttore 45W 24VCC RPM4	45W 24VCC RPM4 Gear motor	TSA / TCA
7	87101103	1	Encoder	Encoder	TSA/TSB/TSC/TCA/TCB/TCC
8	86208006	1	Morsetto terra	Ground terminal	TSA/TSB/TSC/TCA/TCB/TCC
9	86115006	1	Relays octal	Relays octal	TSA/TSB/TSC/TCA/TCB/TCC
10	86121005	4	Portafusibile	Fuse holder	TSA/TSB/TSC/TCA/TCB/TCC
11	85434004	1	Alimentatore	Feeder	TSA/TSB/TSC/TCA/TCB/TCC
12	86103012	1	Trasformatore	Transformer	TSA/TSB/TSC/TCA/TCB/TCC
13	86120003	2	Fusibile 2A	2A Fuse	TSA/TSB/TSC/TCA/TCB/TCC
13	86120004	2	Fusibile 6A	6A Fuse	TSA/TSB/TSC/TCA/TCB/TCC
13	86120006	6	Fusibile 20A	20A Fuse	TSA/TSB/TCA/TCB
13	86120001	6	Fusibile 32A	32A Fuse	TSC/TCC
14	86112021	1	Contattore Ausiliario	Auxiliary Meter	TSA/TSB/TSC/TCA/TCB/TCC
15	86112022	1	Contattore Ausiliario	Auxiliary Meter	TSA/TSB/TSC/TCA/TCB/TCC
16	86121007	6	Portafusibile	Fuse holder	TSA/TSB/TSC/TCA/TCB/TCC
17	86112020	2	Contattore 4kw	4kw Meter	TSA/TSB/TSC/TCA/TCB/TCC
18	85102018	2	Ventilatore	Fan	TSA/TSB/TSC/TCA/TCB/TCC

Modello/Model		
Tavola/Chart	5	5/5



Pos.	Codice	Q.tà	Descrizione	Designation	Note
1	51800035	4	Traversa L=1322 inox	L=1322 Inox crosspiece	TSC/TCC
1	51800031	4	Traversa L=1122 inox	L=1122 Inox crosspiece	TSB/TCB
1	51800072	4	Traversa L=982 inox	L=982 Inox crosspiece	TSA/TCA
2	58000017	4	Gamba 150x150x600 inox	150x150x1200 Inox support	TSA/TSB/TSC/TCA/TCB/TCC
3	55100010	8	Flangia battuta inox	Inox keyed flange	TSA/TSB/TSC/TCA/TCB/TCC
4	80101178	32	Vite M10x16	M10x16 screw	TSA/TSB/TSC/TCA/TCB/TCC
5	82511030	2	Ruota D 125 girevole	D 125 swivel castor	TSA/TSB/TSC/TCA/TCB/TCC
6	51700030	4	Longarone L=1422 inox	L=1422 inox side member	TSC/TCC
6	51700027	4	Longarone L=1062 inox	L=1062 inox side member	TSB/TCB
6	51700033	4	Longarone L=722 inox	L=722 inox side member	TSA/TCA
7	82511004	2	Ruota D 125 girevole con freno	D 125 swivel castor with brake	TSA/TSB/TSC/TCA/TCB/TCC
8	80301037	4	Rosetta M8x16x1.6	M8x16x1.6 washer	TSA/TSB/TSC/TCA/TCB/TCC
9	80101181	16	Vite 8x16	8x16 screw	TSA/TSB/TSC/TCA/TCB/TCC
10	80101179	16	Vite 6x20 A2	6x20 A2 screw	TSA/TSB/TSC/TCA/TCB/TCC
11	80101180	14	Vite 6x10 A2	6x10 A2 screw	TSA/TSB/TSC/TCA/TCB/TCC
12	80140033	16	Dado M6x20	M6x20 nut	TSA/TSB/TSC/TCA/TCB/TCC
13	80140022	32	Dado M10x16	M10x16 nut	TSA/TSB/TSC/TCA/TCB/TCC
14	52000111	4	Supporto ruote	Swivel support	TSA/TSB/TSC/TCA/TCB/TCC
15	80140035	16	Dado M8x16	M8x16 nut	TSA/TSB/TSC/TCA/TCB/TCC

