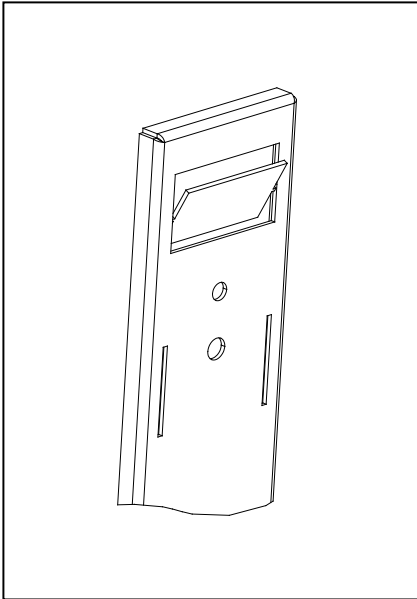


# BEDIENUNGSANLEITUNG

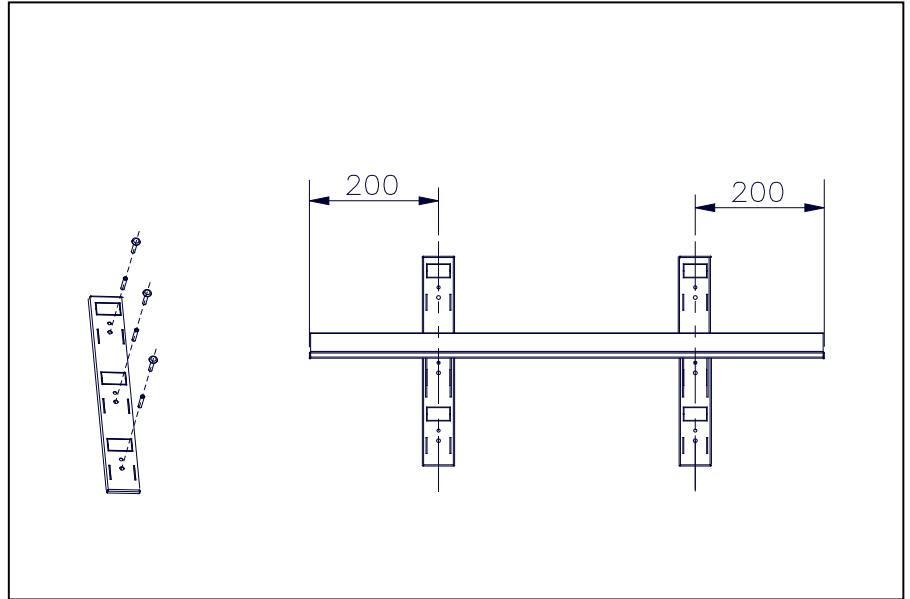


KBS Gastrotechnik GmbH – Schoßbergstraße 26 – 65201 Wiesbaden



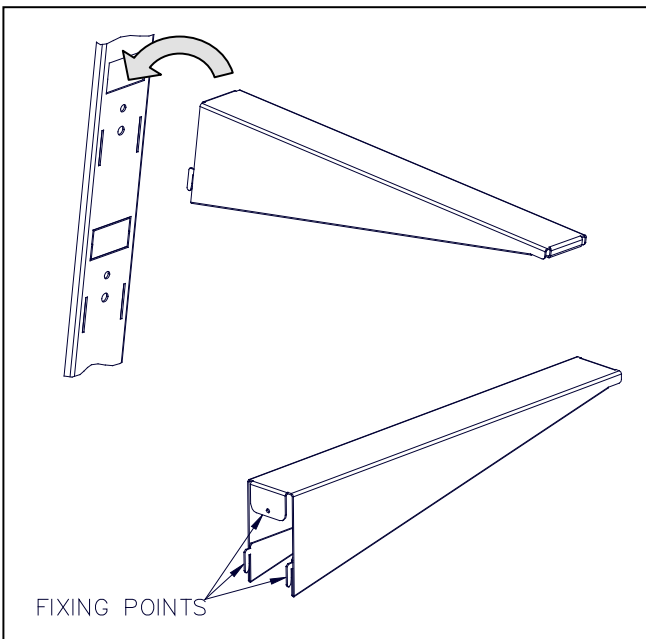
**Fig. 1**

Remove the strips of sheet metal pre-sheared at the points where you want to position the shelf.



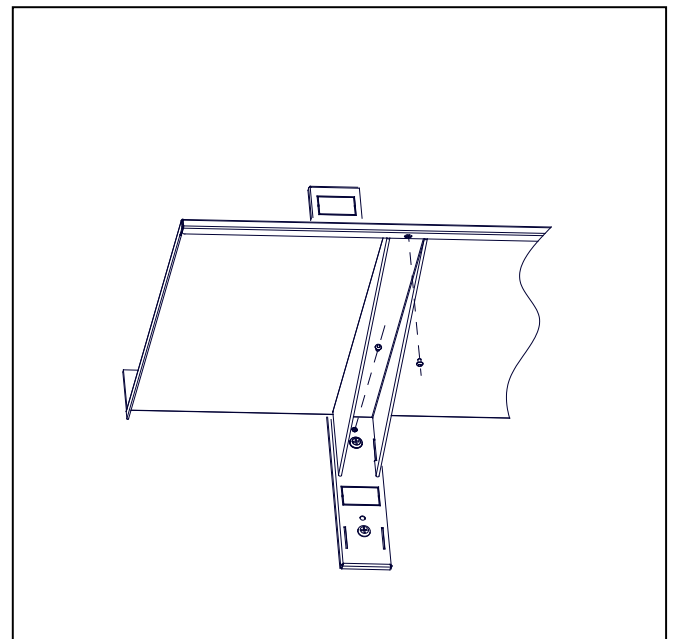
**Fig. 2**

Attach the supports to the wall using anchor bolts, bearing in mind that these will be positioned at 20cm from the external area of the shelf edge.  
The third support, when present, is at the center.



**Fig. 3**

Fix the shelf supports through the three mounting points on the rear.



**Fig. 4**

Place the shelf at the top of the supports.  
**IMPORTANT!** Insert the security screws (included) on the shelves and supports.

### CLEANING

**ATTENTION! NEVER USE DETERGENTS CONTAINING: SAND, CAUSTIC SODA, ACIDS OR CHLORIDES THAT MIGHT CORRODE THE SURFACE.**

THE SURFACE MUST BE CLEANED BY USING A DAMP CLOTH WITH NON-ABRASIVE DETERGENT AND DRYED WITH A DRY CLOTH.