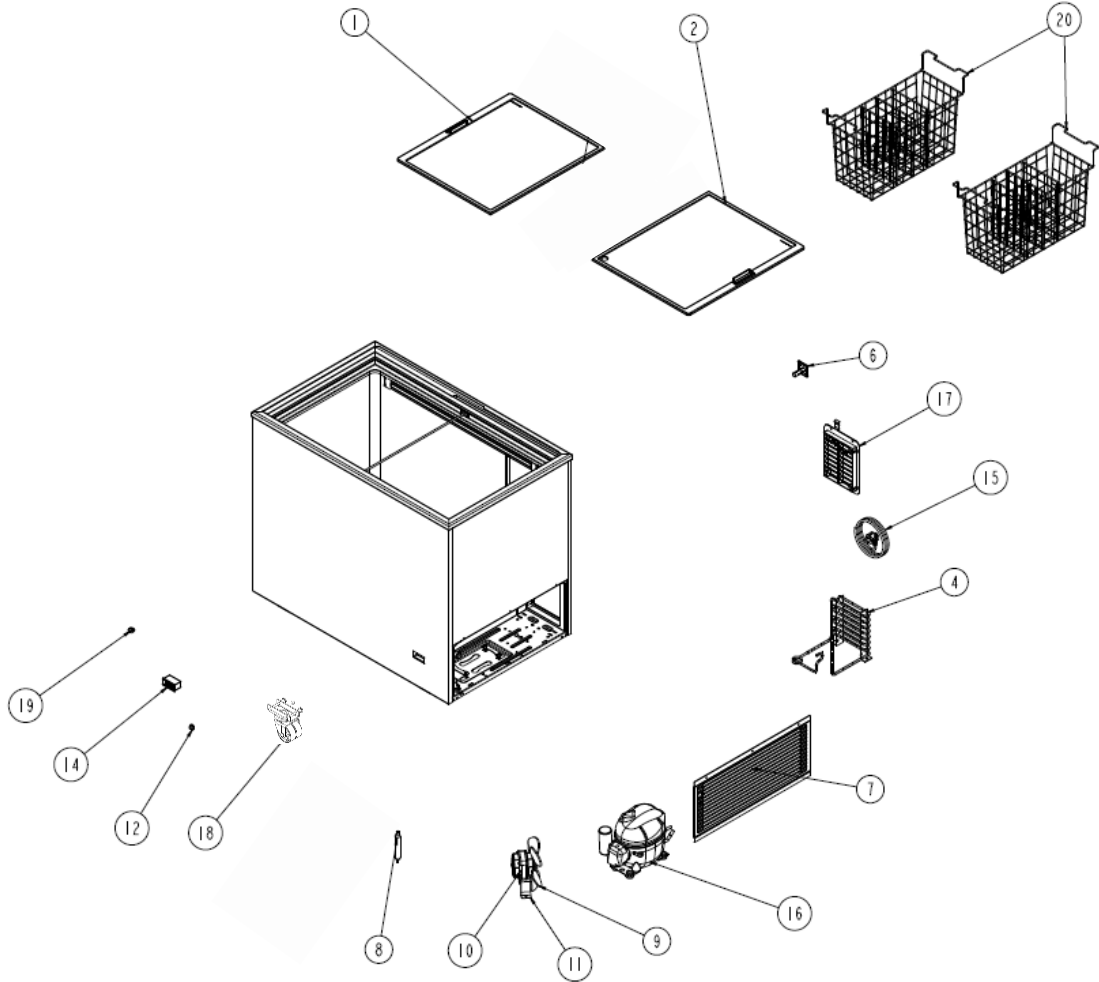


EXPLOSIONSZEICHNUNG



KBS Gastrotechnik GmbH – Schoßbergstraße 26 – 65201 Wiesbaden

PRODUCT PIC. NO. : **SSH24TK413** CREATION DATE : **03.10.2024**
 PRODUCT MODEL : **D400DFSG**
 REFERENCE PRODUCT CODES : 30000032116 - IPT_D400DFSG_AC_AL_KBS_D_CLASS EMC_85



Klimasan After Sales Service Department

You can contact with After Sales Department by servis@klimasan.com.tr. Klimasan reserves the right to change information about all spare parts in this documents. Hardcopy document may not be up to date. Responsibility, arising from the use of this information, belongs to the user.



Çağrı Merkezi

444 0 789

This document belongs to Klimasan Klima San.ve Tic. A.Ş. This document can not be reproduced and its content can not be explained without permission.

PRODUCT PIC. NO. : **SSH24TK413** CREATION DATE : **03.10.2024**
 PRODUCT MODEL : **D400DFSG**
 REFERENCE PRODUCT CODES : 30000032116 - IPT_D400DFSG_AC_AL_KBS_D_CLASS EMC_85

KLİMASAN SPARE PART PRICE LIST

SPARE PART CODE	DESCRIPTIONS	PRODUCT CODE	EXP. REF. NO
20000265324	COVER_GR_BOTTOM_D400DFSGAC_MTL_KLT_R7045_LOW-E	30000032116	1
20000265321	COVER_GR_TOP_400DFSGAC_R7045_LOW-E	30000032116	2
10000005807	CONDENSER_WOT	30000032116	4
10000032176	DRAIN_OUTER_PLUG	30000032116	6
10000030443	SHUTTER_SIDE	30000032116	7
10000004614	DRIER 17 GR.(4.9X2.2mm)_STOPPING TUBE	30000032116	8
10000006944	PROPELLER_ALUMINUM_200MM_34_DEGREE_WEIGUANG	30000032116	9
10000013401	FAN_AXIAL_CONDENSER	30000032116	10
10000017497	FAN_CONNECTING_FEET	30000032116	11
10000032138	THERMOSTAT_BUTTON	30000032116	12
10000013226	THERMOSTAT_MECHANICAL	30000032116	14
10000009702	POWER_CORD_CABLE	30000032116	15
10000006042	COMPRESSOR_EMBRACO EMC3134U_220_240V_50Hz_R290_Muht	30000032116	16
10000030444	SHUTTER_BACK	30000032116	17
10000021254	WHEEL_MOVABLE	30000032116	18 (1)
20000055196	F_WHEEL_CONNECT_GR_400_DFSG_BCSG_Ø50_OYNAR	30000032116	18 (2)
10000032129	DRAIN_INSIDE_PLUG	30000032116	19
10000013570	BASKET_AF/AC	30000032116	20

Klimasan After Sales Service Department

You can contact with After Sales Department by servis@klimasan.com.tr. Klimasan reserves the right to change information about all spare parts in this documents. Hardcopy document may not be up to date. Responsibility, arising from the use of this information, belongs to the user.



This document belongs to Klimasan Klima San.ve Tic. A.Ş. This document can not be reproduced and its content can not be explained without permission.