

DATA DATE	MODIF. N. MODIF. NO.	DESCRIZIONE MODIFICHE MODIFICATION DESCRIPTION	DISegnATO DRAWN BY	APPROVATO APPROVED
MODELLO MODEL	LAVATOIO 2 VASCHE LAVAST DX PIANO LISCIO 160x70 SINK 2 BASIN RIGHT DISHWASHER 160x70		DISEGNO N. DRAWING NO. DSLG2VLDPL167	SCALA SCALE -
PARTICOLARE DETAIL	SCHEDA TECNICA DATA SHEET		DISEGNATO DRAWN BY	DATA DATE -
MATERIALE MATERIAL	SPESSE THICK.	APPROVATO APPROVED	SHEET 2 OF 3	
FINITURA FINISH	PEZZI N. PIECES NO.	SOSTITUISCE IL DIS. N. IT REPLACES DRAWING NO.	ULTIMA EMISS. LAST EDITION	
TRATTAMENTO TREATMENT	COLORE COLOUR	SOSTITUITO DAL DIS. N. REPLACED BY DRAWING NO.		
RISTOPRO PROFESSIONAL CATERING EQUIPMENT		RISTOPRO SRL FRAZ. BORGO TUFICO, 47 FABRIANO (AN) ITALY +39.732.043494 WWW.RISTOPRO.COM		 mm

ELABORATO CON SISTEMA CAD
DESIGNED BY CADSYSTEM

QUOTA PRIMARIA
PRIMARY DIMENSION
XX

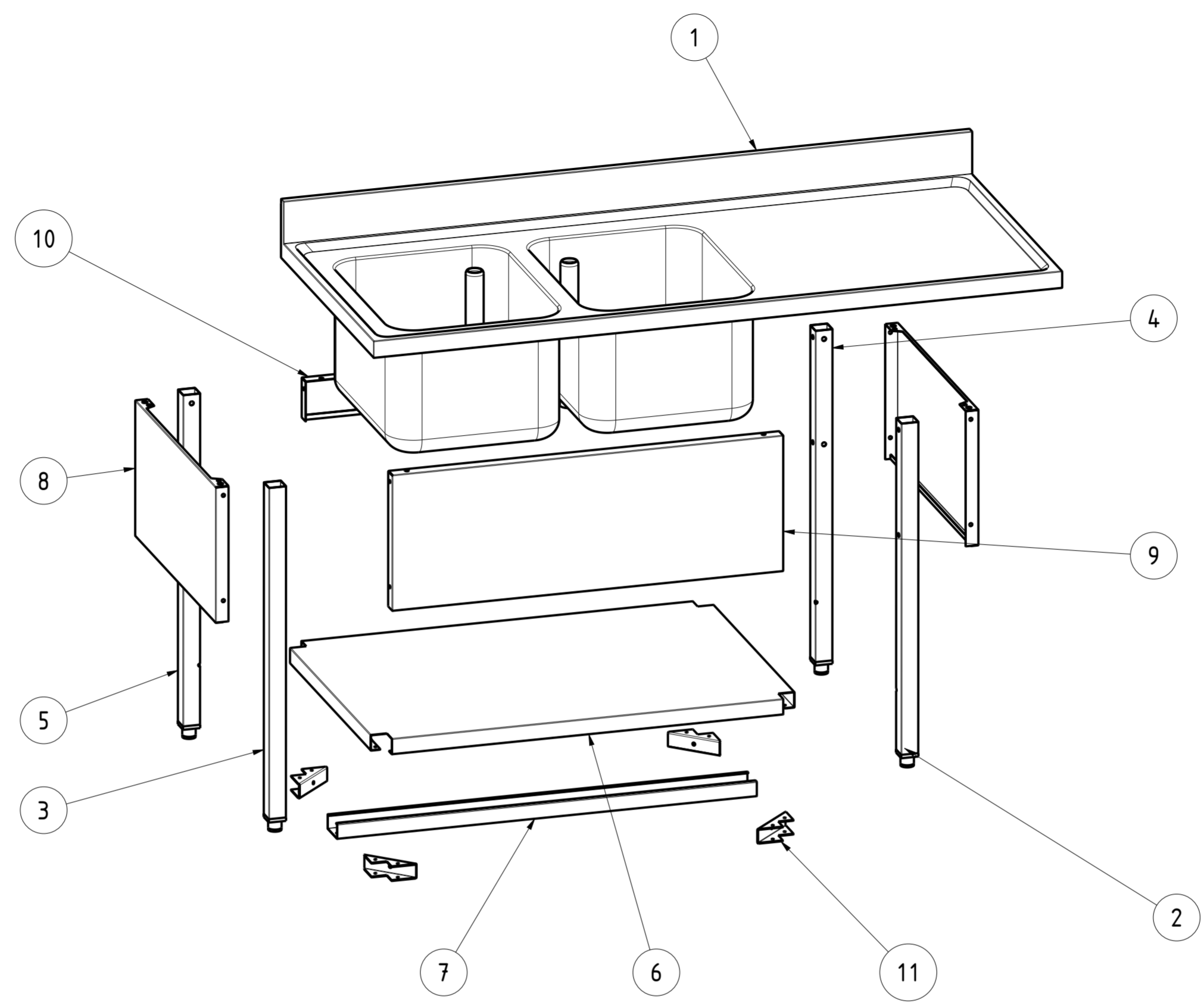
ANGOLI
Angles
30° ±0.30°

TOLLERANZA UNLESS OTHERWISE STATED

>500	±0.75
400-500	±0.65
315-400	±0.60
250-315	±0.55
180-250	±0.50
120-180	±0.45
80-120	±0.40
50-80	±0.35
30-50	±0.30
18-30	±0.25
10-18	±0.20
5-10	±0.15
0-5	±0.10

LUNGH. E DIAM.
LENGTH AND DIAM.
mm

FORM.A-2



11	NT1980	4	PIASTRA ANGOLO FIX PIANO FONDO	CORNER PLATE FIXING SHELF BOTTOM
10	NT407	1	PANNELLO CHIUSURA POSTER. L100	REAR CLOSURE PANEL L100
9	NT398	1	PANNELLO CHIUSURA ANTER. L100	FRONT PANEL SINK ON LEGS L100
8	NT395	2	PANNELLO CHIUSURA LATER. P70	LATERAL PANEL SINK ON SQUARE LEGS P70
7	NT270	1	OMEGA PIANO FONDO L100	REINFORCEMENT L100
6	NT261	1	PIANO DI FONDO 100x70	BASE SHELF 100x70
5	ASS_LEG_ACQ_SINK_PS_1R	1	ASS LEG SINK BACK LEFT	ASS LEG SINK BACK LEFT
4	ASS_LEG_ACQ_SINK_PD_1R	1	ASS LEG SINK BACK RIGHT	ASS LEG SINK BACK RIGHT
3	ASS_LEG_ACQ_SINK_AS_1R	1	ASS LEG SINK FRONT LEFT	ASS LEG SINK FRONT LEFT
2	ASS_LEG_ACQ_SINK_AD_1R	1	ASS LEG SINK FRONT RIGHT	ASS LEG SINK FRONT RIGHT
1	ASS_LAV_167_2_45_LDX_PL	1	ASS LAVELLO 160x70 2 VASCHE 40x50 LAVAS DX PIANO LISCO	SINK ASSEMBLY 160x70 2 BASIN 40x50 RIGHT DISHWASHER
ITEM NO	PART NUMBER	QTY	DESCRIPTION	

DATA DATE	MODIF. N. MODIF. NO.	DESCRIZIONE MODIFICHE MODIFICATION DESCRIPTION	DISegnATO DRAWN BY	APPROVATO APPROVED
MODELLO MODEL	LAVATOIO 2 VASCHE LAVAST DX PIANO LISCIO 160x70 SINK 2 BASIN RIGHT DISHWASHER 160x70		DISEGNO N. DRAWING NO. DSLG2VLDPL167	SCALA SCALE -
PARTICOLARE DETAIL	ESPLOSO EXPLODED VIEW		DISEGNATO DRAWN BY M.PAPI	DATA DATE -
MATERIALE MATERIAL	SPESS. THICK.	APPROVATO APPROVED	SHEET 3 OF 3	
FINITURA FINISH	PEZZI N. PIECES NO.	SOSTITUISCE IL DIS. N. IT REPLACES DRAWING NO.	ULTIMA EMISS. LAST EDITION	
TRATTAMENTO TREATMENT	COLORE COLOUR	SOSTITUITO DAL DIS. N. REPLACED BY DRAWING NO.		
		RISTOPRO SRL FRAZ. BORGO TUFICO, 47 FABRIANO (AN) ITALY +39.732.043494 WWW.RISTOPRO.COM		 mm

ELABORATO CON SISTEMA CAD
DESIGNED BY CAD/STEM

QUOTA PRIMARIA
PRIMARY DIMENSION
XX

ANGOLI
Angles
30°

TOLLERANZA UNLESS OTHERWISE STATED

>500	±0.75
400-500	±0.65
315-400	±0.60
250-315	±0.55
180-250	±0.50
120-180	±0.45
80-120	±0.40
50-80	±0.35
30-50	±0.30
10-30	±0.25
5-10	±0.20
0-5	±0.15
0-5	±0.10

QUOTE SENZA TOLLERANZA
DIMENSIONI SENZA TOLLERANZA
LUNGH. E DIAM.
LENGTH AND DIAM.
mm