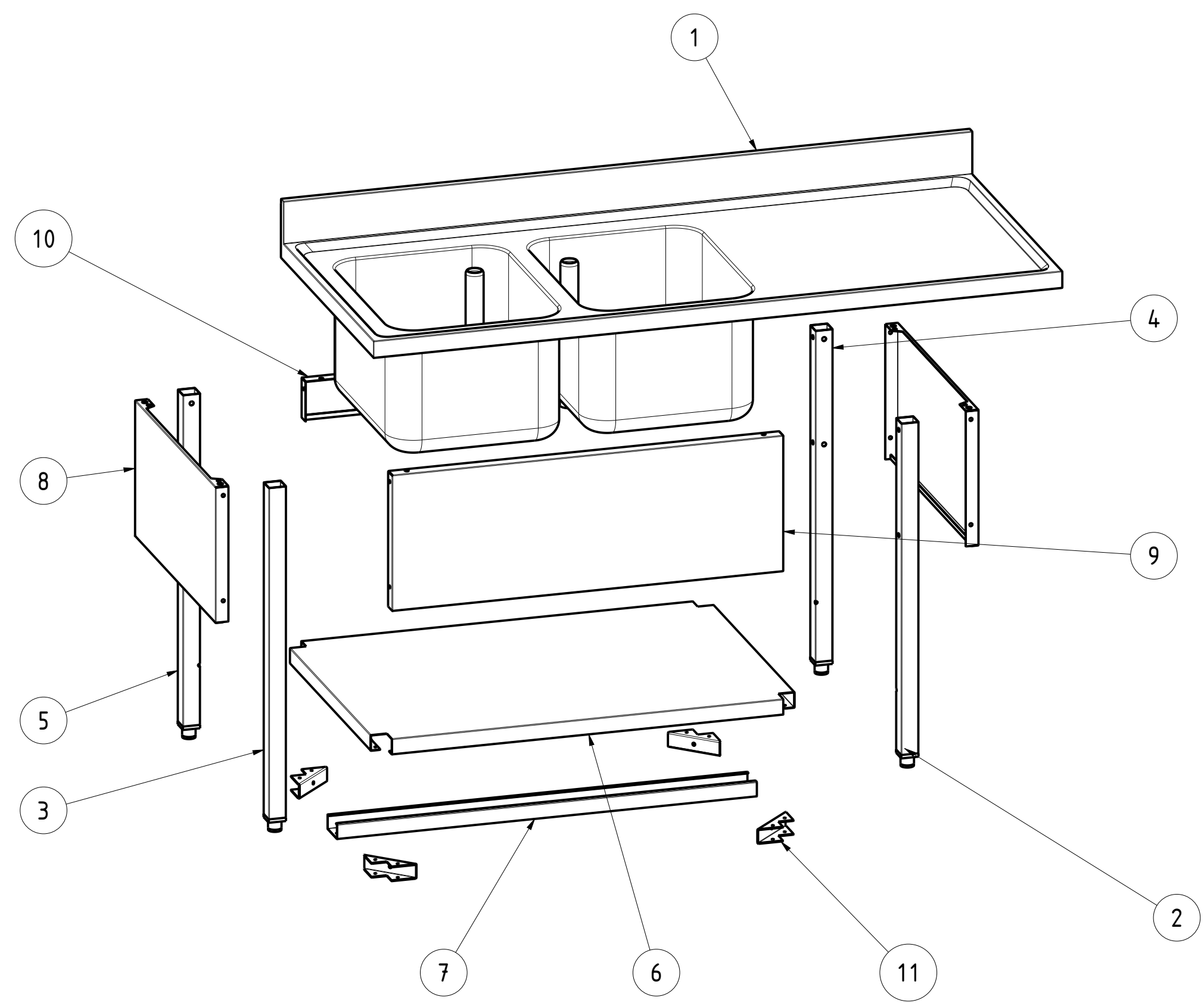


# EXPLOSIONSZEICHNUNG



KBS Gastrotechnik GmbH – Schoßbergstraße 26 – 65201 Wiesbaden



ITEM NO	PART NUMBER	QTY	DESCRIPTION	DESCRIPTION
11	NT1980	4	PIASTRA ANGOLO FIX PIANO FONDO	CORNER PLATE FIXING SHELF BOTTOM
10	NT407	1	PANNELLO CHIUSURA POSTER. L100	REAR CLOSURE PANEL L100
9	NT398	1	PANNELLO CHIUSURA ANTER. L100	FRONT PANEL SINK ON LEGS L100
8	NT395	2	PANNELLO CHIUSURA LATER. P70	LATERAL PANEL SINK ON SQUARE LEGS P70
7	NT270	1	OMEGA PIANO FONDO L100	REINFORCEMENT L100
6	NT261	1	PIANO DI FONDO 100x70	BASE SHELF 100x70
5	ASS_LEG_ACQ_SINK_PS_1R	1	ASS LEG SINK BACK LEFT	ASS LEG SINK BACK LEFT
4	ASS_LEG_ACQ_SINK_PD_1R	1	ASS LEG SINK BACK RIGHT	ASS LEG SINK BACK RIGHT
3	ASS_LEG_ACQ_SINK_AS_1R	1	ASS LEG SINK FRONT LEFT	ASS LEG SINK FRONT LEFT
2	ASS_LEG_ACQ_SINK_AD_1R	1	ASS LEG SINK FRONT RIGHT	ASS LEG SINK FRONT RIGHT
1	ASS_LAV_167_2_45_LDX_PL	1	ASS LAVELLO 160x70 2 VASCHE 40x50 LAVAS DX PIANO LISCO	SINK ASSEMBLY 160x70 2 BASIN 40x50 RIGHT DISHWASHER

DATA DATE	MODIF. N. MODIF. NO.	DESCRIZIONE MODIFICHE MODIFICATION DESCRIPTION	DISegnATO DRAWN BY	APPROVATO APPROVED
MODELLO MODEL		LAVATOIO 2 VASCHE LAVAST DX PIANO LISCIO 160x70 SINK 2 BASIN RIGHT DISHWASHER 160x70	DISegno N. DRAWING NO. DSLG2VLDPL167	SCALA SCALE -
PARTICOLARE DETAIL		ESPLOSO EXPLODED VIEW	DISegnATO DRAWN BY M.PAPI	DATA DATE -
MATERIALE MATERIAL		SPESS. THICK.	APPROVATO APPROVED	SHEET 3 OF 3
FINITURA FINISH		PEZZI N. PIECES NO.	SOSTITUISCE IL DIS. N. IT REPLACES DRAWING NO.	ULTIMA EMISS. LAST EDITION
TRATTAMENTO TREATMENT		COLORE COLOUR	SOSTITUITO DAL DIS. N. REPLACED BY DRAWING NO.	

**RISTOPRO** PROFESSIONAL CATERING EQUIPMENT

RISTOPRO SRL  
 FRAZ. BORGO TUFICO, 47 FABRIANO (AN)  
 ITALY +39.732.043494  
 WWW.RISTOPRO.COM

mm

FORM.A-2

ELABORATO CON SISTEMA CAD  
 DESIGNED BY CAD/STEM

QUOTA PRIMARIA  
 PRIMARY DIMENSION

XX

ANGOLI  
 Angles

>500 ±0.75

400-500 ±0.65

315-400 ±0.60

250-315 ±0.55

180-250 ±0.50

120-180 ±0.45

80-120 ±0.40

50-80 ±0.35

30-50 ±0.30

10-30 ±0.25

5-10 ±0.15

0-5 ±0.10

QUOTE SENZA TOLLERANZA TOLERANCE UNLESS OTHERWISE STATED

LUNGH. E DIAM.  
 LENGTH AND DIAM.