

DATA DATE	MODIF. N. MODIF. NO.	DESCRIZIONE MODIFICHE MODIFICATION DESCRIPTION	DISEGNATO DRAWN BY	APPROVATO APPROVED
MODELLO MODEL	LAVATOIO 2 VASCHE LAVAST SX 160x70 SINK 2 BASIN LEFT DISHWASHER 160x70		DISEGNO N. DRAWING NO. DSLG2VLSPL167	SCALA SCALE -
PARTICOLARE DETAIL	SCHEDA TECNICA DATA SHEET		DISEGNATO DRAWN BY	DATA DATE -
MATERIALE MATERIAL	SPESS. THICK.	APPROVATO APPROVED	SHEET 2 OF 4	
FINITURA FINISH	PEZZI N. PIECES NO.	SOSTITUISCE IL DIS. N. IT REPLACES DRAWING NO.	ULTIMA EMISS. LAST EDITION	
TRATTAMENTO TREATMENT	COLORE COLOUR	SOSTITUITO DAL DIS. N. REPLACED BY DRAWING NO.		
		RISTOPRO SRL FRAZ. BORGO TUFICO, 47 FABRIANO (AN) ITALY +39.732.043494 WWW.RISTOPRO.COM		

ELABORATO CON SISTEMA CAD  
DESIGNED BY CADSTEM

QUOTA PRIMARIA  
PRIMARY DIMENSION  
XX

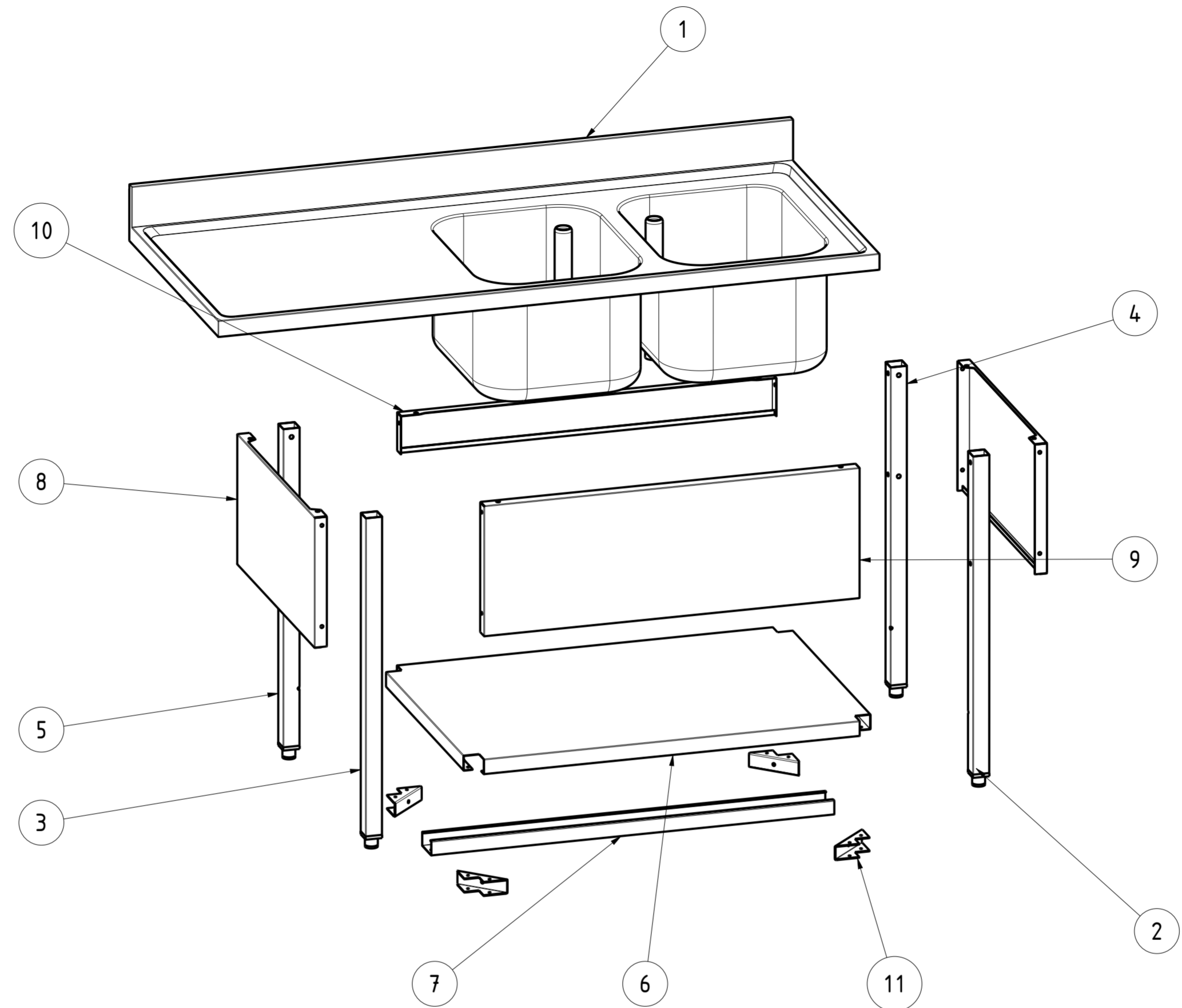
ANGOLI  
Angles  
±0°30'

TOLLERANZA UNLESS OTHERWISE STATED

>500	±0.75
400-500	±0.65
315-400	±0.60
250-315	±0.55
180-250	±0.50
120-180	±0.45
80-120	±0.40
50-80	±0.35
30-50	±0.30
18-30	±0.25
10-18	±0.20
5-10	±0.15
0-5	±0.10

LUNGH. E DIAM.  
LENGTH AND DIAM.  
mm

FORM.A-2



ITEM NO	PART NUMBER	QTY	DESCRIPTION	
11	NT1980	4	PIASTRA ANGOLO FIX PIANO FONDO	CORNER PLATE FIXING SHELF BOTTOM
10	NT407	1	PANNELLO CHIUSURA POSTER. L100	REAR CLOSURE PANEL L100
9	NT398	1	PANNELLO CHIUSURA ANTER. L100	FRONT PANEL SINK ON LEGS L100
8	NT395	2	PANNELLO CHIUSURA LATER. P70	LATERAL PANEL SINK ON SQUARE LEGS P70
7	NT270	1	RINFORZO PIANO FONDO L 100	REINFORCEMENT L100
6	NT261	1	PIANO DI FONDO 100x70	BASE SHELF 100x70
5	ASS_LEG_ACQ_SINK_PS_1R	1	ASS LEG SINK BACK LEFT	ASS LEG SINK BACK LEFT
4	ASS_LEG_ACQ_SINK_PD_1R	1	ASS LEG SINK BACK RIGHT	ASS LEG SINK BACK RIGHT
3	ASS_LEG_ACQ_SINK_AS_1R	1	ASS LEG SINK FRONT LEFT	ASS LEG SINK FRONT LEFT
2	ASS_LEG_ACQ_SINK_AD_1R	1	ASS LEG SINK FRONT RIGHT	ASS LEG SINK FRONT RIGHT
1	ASS_LAV_167_2_45_LSX_PL	1	ASS LAVELLO 160x70 2 VASCHE 40x50 LAVAS SX PIANO LISCIO	SINK ASSEMBLY 160x70 2 BASIN 40x50 LEFT DISHWASHER

DATA DATE	MODIF. N. MODIF. NO.	DESCRIZIONE MODIFICHE MODIFICATION DESCRIPTION	DISegnATO DRAWN BY	APPROVATO APPROVED
MODELLO MODEL		LAVATOIO 2 VASCHE LAVAST SX 160x70 SINK 2 BASIN LEFT DISHWASHER 160x70	DISegno N. DRAWING NO. DSLG2VLSPL167	SCALA SCALE -
PARTICOLARE DETAIL		ESPLOSO EXPLODED VIEW	DISegnATO DRAWN BY M.PAPI	DATA DATE -
MATERIALE MATERIAL		SPESS. THICK.	APPROVATO APPROVED	SHEET 3 OF 4
FINITURA FINISH		PEZZI N. PIECES NO.	SOSTITUISCE IL DIS. N. IT REPLACES DRAWING NO.	ULTIMA EMISS. LAST EDITION
TRATTAMENTO TREATMENT		COLORE COLOUR	SOSTITUITO DAL DIS. N. REPLACED BY DRAWING NO.	

**RISTOPRO** PROFESSIONAL CATERING EQUIPMENT

RISTOPRO SRL  
 FRAZ. BORGO TUFICO, 47 FABRIANO (AN)  
 ITALY +39.732.043494  
 WWW.RISTOPRO.COM

mm

FORM.A-2

ELABORATO CON SISTEMA CAD DESIGNED BY CADSTEM

QUOTA PRIMARIA PRIMARY DIMENSION XX

ANGOLI Angles 30°

TOLLERANZA UNLESS OTHERWISE STATED

>500	±0.75
400-500	±0.65
315-400	±0.60
250-315	±0.55
180-250	±0.50
120-180	±0.45
80-120	±0.40
50-80	±0.35
30-50	±0.30
18-30	±0.25
10-18	±0.20
5-10	±0.15
0-5	±0.10

LUNGH. E DIAM. LENGTH AND DIAM.