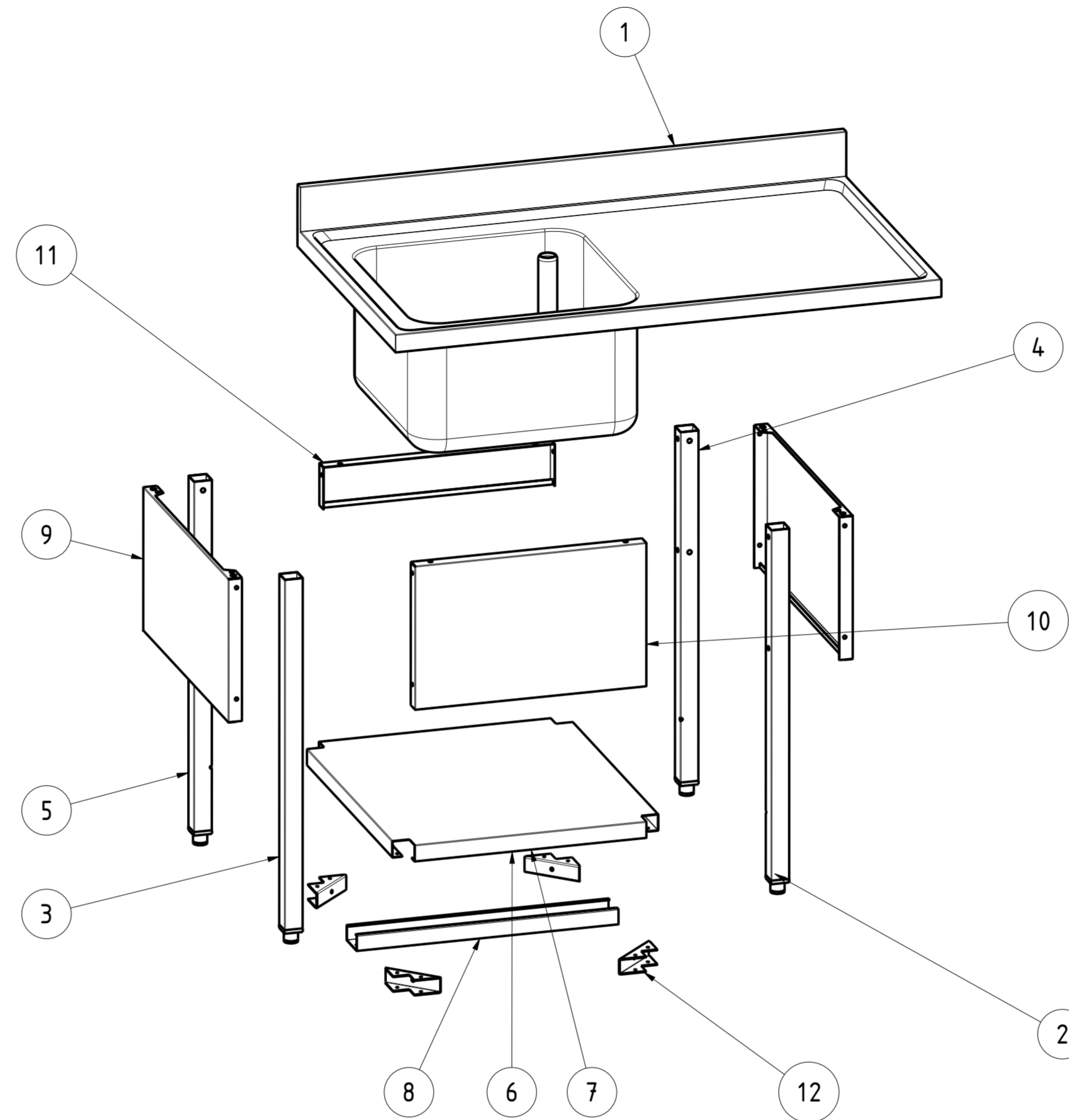


# EXPLOSIONSZEICHNUNG



KBS Gastrotechnik GmbH – Schoßbergstraße 26 – 65201 Wiesbaden



12	NT1980	4	PIASTRA ANGOLO FIX PIANO FONDO	CORNER PLATE FIXING SHELF BOTTOM
11	NT405	1	PANNELLO CHIUSURA POSTER. L60	REAR CLOSURE PANEL L60
10	NT396	1	PANNELLO CHIUSURA ANTER. L60	FRONT PANEL SINK ON LEGS L60
9	NT395	2	PANNELLO CHIUSURA LATER. P70	LATERAL PANEL SINK ON SQUARE LEGS P70
8	NT268	1	OMEGA PIANO FONDO L60	REINFORCEMENT L60
7	NT259	1	PIANO DI FONDO 60x70	BASE SHELF 60x70
6	DSRTG067	1	ASSIEME PIANO DI FONDO 60x70	BOTTOM SHELF ASSEMBLY
5	ASS_LEG_ACQ_SINK_PS_1R	1	ASS LEG SINK BACK LEFT	ASS LEG SINK BACK LEFT
4	ASS_LEG_ACQ_SINK_PD_1R	1	ASS LEG SINK BACK RIGHT	ASS LEG SINK BACK RIGHT
3	ASS_LEG_ACQ_SINK_AS_1R	1	ASS LEG SINK FRONT LEFT	ASS LEG SINK FRONT LEFT
2	ASS_LEG_ACQ_SINK_AD_1R	1	ASS LEG SINK FRONT RIGHT	ASS LEG SINK FRONT RIGHT
1	ASS_LAV_127_1_55_LDX_PL	1	ASS LAVELLO 120x70 1 VASCA 50x50 LAVAS DX PIANO LISCIO	SINK ASSEMBLY 120x70 1 BASIN 50x50 RIGHT DISHWASHER FLAT TOP
ITEM NO	PART NUMBER	QTY	DESCRIPTION	

DATA DATE	MODIF. N. MODIF. NO.	DESCRIZIONE MODIFICHE MODIFICATION DESCRIPTION	DISegnATO DRAWN BY	APPROVATO APPROVED
MODELLO MODEL	LAVATOIO 1 VASCA LAVAST DX 120x70 PIANO LISCIO SINK 1 BASIN RIGHT DISHWASHER 120x70 FLAT TOP		DISegno N. DRAWING NO. DSLGLDPL127	SCALA SCALE -
PARTICOLARE DETAIL	ESPLOSO EXPLODED VIEW		DISegnATO DRAWN BY M.PAPI	DATA DATE -
MATERIALE MATERIAL	SPESS. THICK.	APPROVATO APPROVED	SHEET 3 OF 3	
FINITURA FINISH	PEZZI N. PIECES NO.	SOSTITUISCE IL DIS. N. IT REPLACES DRAWING NO.	ULTIMA EMISS. LAST EDITION	
TRATTAMENTO TREATMENT	COLORE COLOUR	SOSTITUITO DAL DIS. N. REPLACED BY DRAWING NO.		
<b>RISTOPRO</b> PROFESSIONAL CATERING EQUIPMENT		RISTOPRO SRL FRAZ. BORGO TUFICO, 47 FABRIANO (AN) ITALY +39.732.043494 WWW.RISTOPRO.COM		 mm

ELABORATO CON SISTEMA CAD  
DESIGNED BY CADSTEM

QUOTA PRIMARIA  
PRIMARY DIMENSION  
XX

ANGOLI  
Angles  
30°

>500  
±0.75  
400-500  
±0.65  
315-400  
±0.60  
250-315  
±0.55  
180-250  
±0.50  
120-180  
±0.45  
80-120  
±0.40  
50-80  
±0.35  
30-50  
±0.30  
10-30  
±0.25

TOLLERANCE UNLESS OTHERWISE STATED

QUOTE SENZA TOLLERANZA

LUNGH. E DIAM.  
LENGTH AND DIAM.  
±0.10  
0-5