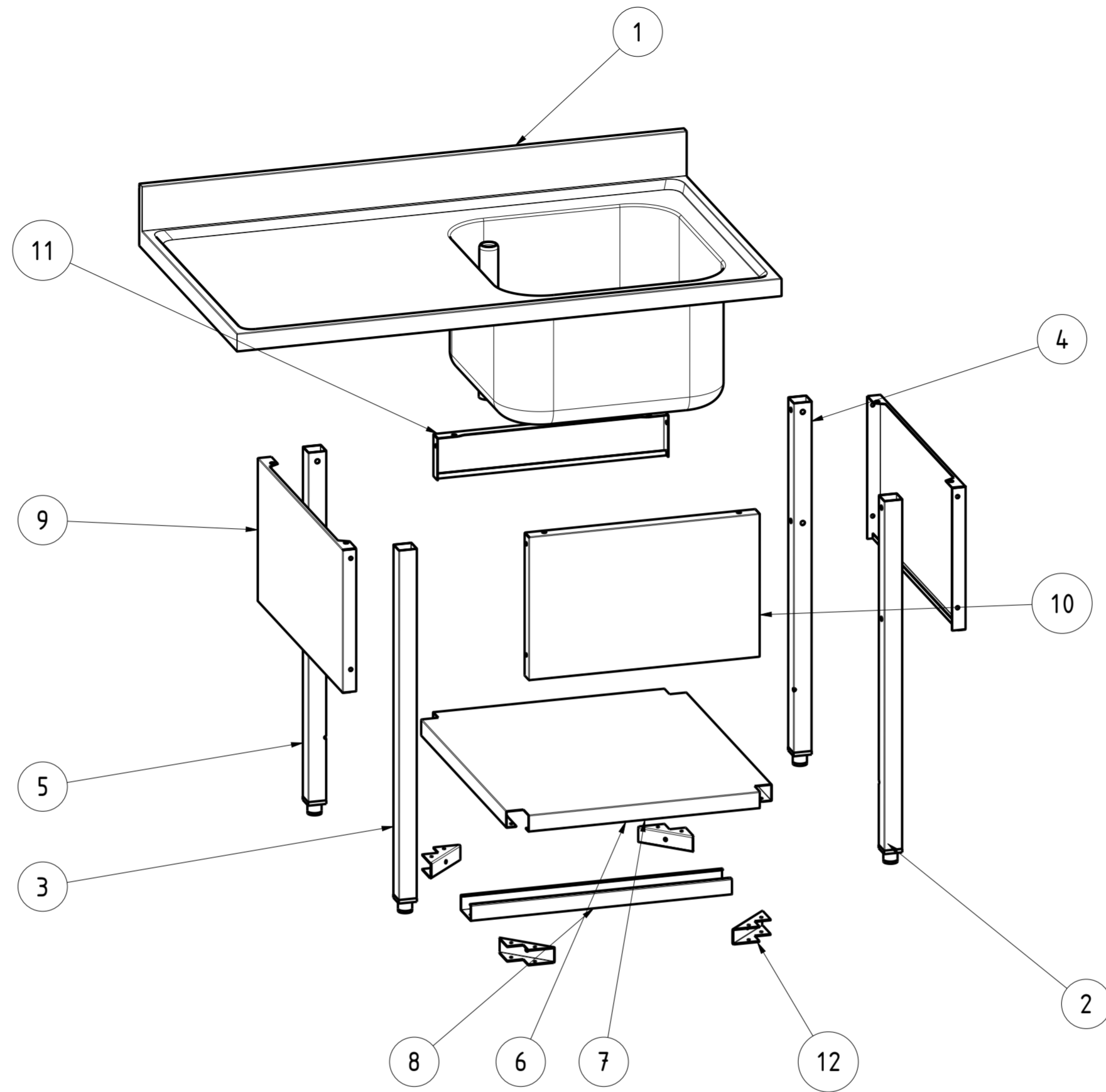


# EXPLOSIONSZEICHNUNG



KBS Gastrotechnik GmbH – Schoßbergstraße 26 – 65201 Wiesbaden



12	NT1980	4	PIASTRA ANGOLO FIX PIANO FONDO	CORNER PLATE FIXING SHELF BOTTOM
11	NT405	1	PANNELLO CHIUSURA POSTER. L60	REAR CLOSURE PANEL L60
10	NT396	1	PANNELLO CHIUSURA ANTER. L60	FRONT PANEL SINK ON LEGS L60
9	NT395	2	PANNELLO CHIUSURA LATER. P70	LATERAL PANEL SINK ON SQUARE LEGS P70
8	NT268	1	RINFORZO PIANO FONDO L 60	REINFORCEMENT L60
7	NT259	1	PIANO DI FONDO 60x70	BASE SHELF 60x70
6	DSRTG067	1	ASSIEME PIANO DI FONDO 60x70 8CM SPAZIO DIETRO	BOTTOM SHELF ASSEMBLY
5	ASS_LEG_ACQ_SINK_PS_1R	1	ASS LEG SINK BACK LEFT	ASS LEG SINK BACK LEFT
4	ASS_LEG_ACQ_SINK_PD_1R	1	ASS LEG SINK BACK RIGHT	ASS LEG SINK BACK RIGHT
3	ASS_LEG_ACQ_SINK_AS_1R	1	ASS LEG SINK FRONT LEFT	ASS LEG SINK FRONT LEFT
2	ASS_LEG_ACQ_SINK_AD_1R	1	ASS LEG SINK FRONT RIGHT	ASS LEG SINK FRONT RIGHT
1	ASS_LAV_127_1_55_LSX_PL	1	ASS LAVELLO 120x70 1 VASCA 50x50 LAVAS SX PIANO LISCIO	SINK ASSEMBLY 120x70 1 BASIN 50x50 LEFT DISHWASHER SMOOTH TOP
ITEM NO	PART NUMBER	QTY	DESCRIPTION	

DATA DATE	MODIF. N. MODIF. NO.	DESCRIZIONE MODIFICHE MODIFICATION DESCRIPTION	DISegnATO DRAWN BY	APPROVATO APPROVED
MODELLO MODEL	LAVATOIO 1 VASCA LAVAST SX 120x70 PIANO LISCIO SINK 1 BASIN LEFT DISHWASHER 120x70 SMOOTH TOP		DISEGNO N. DRAWING NO. DSLGLSPL127	SCALA SCALE -
PARTICOLARE DETAIL	ESPLOSO EXPLODED VIEW		DISEGNATO DRAWN BY M.PAPI	DATA DATE -
MATERIALE MATERIAL	SPESS. THICK.	APPROVATO APPROVED	SHEET 3 OF 4	
FINITURA FINISH	PEZZI N. PIECES NO.	SOSTITUISCE IL DIS. N. IT REPLACES DRAWING NO.	ULTIMA EMISS. LAST EDITION	
TRATTAMENTO TREATMENT	COLORE COLOUR	SOSTITUITO DAL DIS. N. REPLACED BY DRAWING NO.		
		RISTOPRO SRL FRAZ. BORGO TUFICO, 47 FABRIANO (AN) ITALY +39.732.043494 WWW.RISTOPRO.COM		 mm

ELABORATO CON SISTEMA CAD  
 DESIGNED BY CAD/STEM  
 QUOTA PRIMARIA  
 PRIMARY DIMENSION  
 XX  
 ANGOLI  
 Angles  
 >500  
 <math>\pm 0,75</math>  
 400-500  
 <math>\pm 0,65</math>  
 315-400  
 <math>\pm 0,60</math>  
 250-315  
 <math>\pm 0,55</math>  
 180-250  
 <math>\pm 0,50</math>  
 120-180  
 <math>\pm 0,45</math>  
 80-120  
 <math>\pm 0,40</math>  
 50-80  
 <math>\pm 0,35</math>  
 30-50  
 <math>\pm 0,30</math>  
 10-30  
 <math>\pm 0,25</math>  
 5-10  
 <math>\pm 0,15</math>  
 0-5  
 <math>\pm 0,10</math>  
 TOLLERANZA UNLESS OTHERWISE STATED  
 QUOTE SENZA TOLLERANZA  
 DIMENSIONS WITHOUT TOLERANCES  
 LUNGHEZZE E DIAM.  
 LENGTH AND DIAM.  
 FORM.A-2