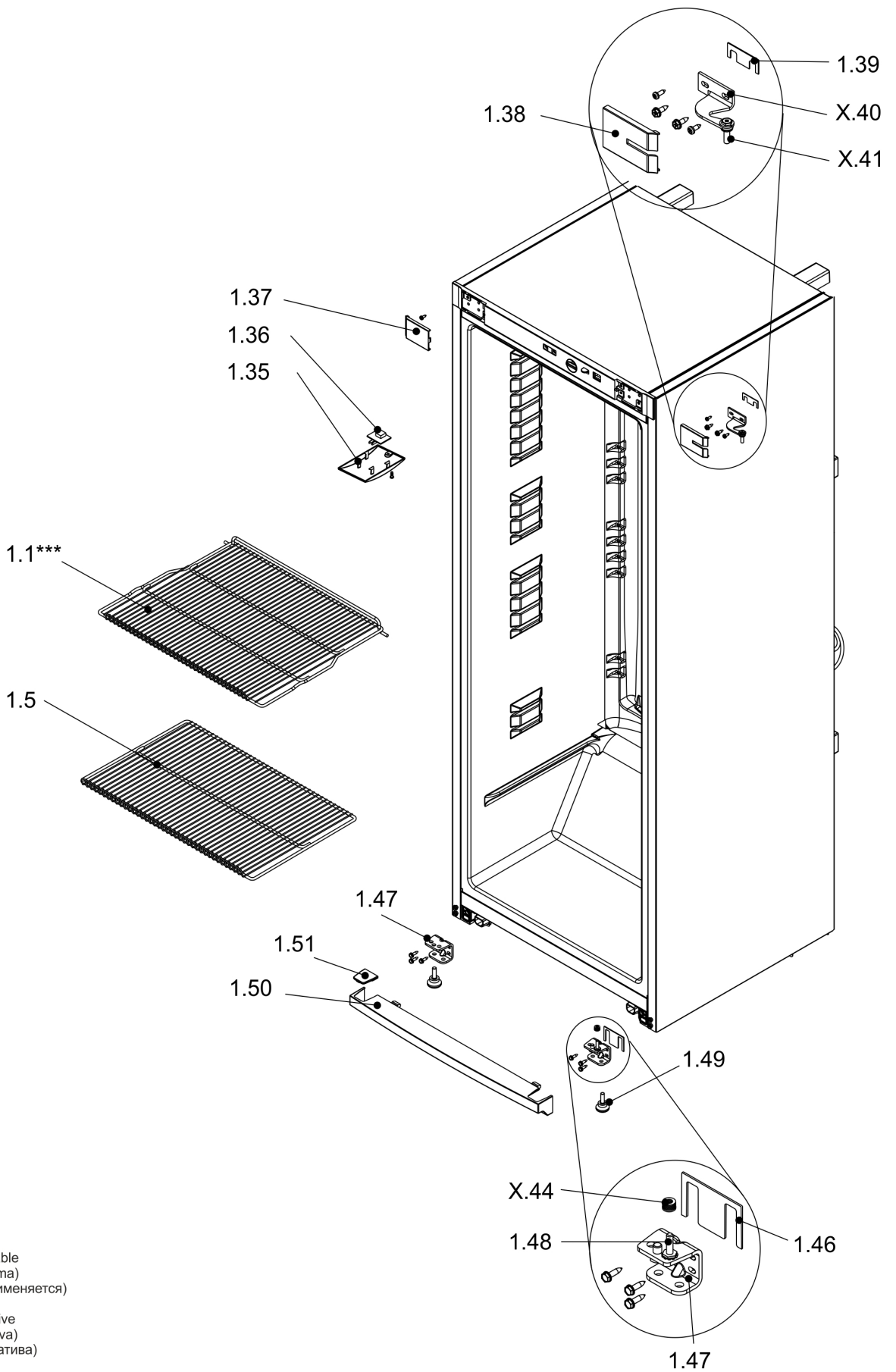


EXPLOSIONSZEICHNUNG



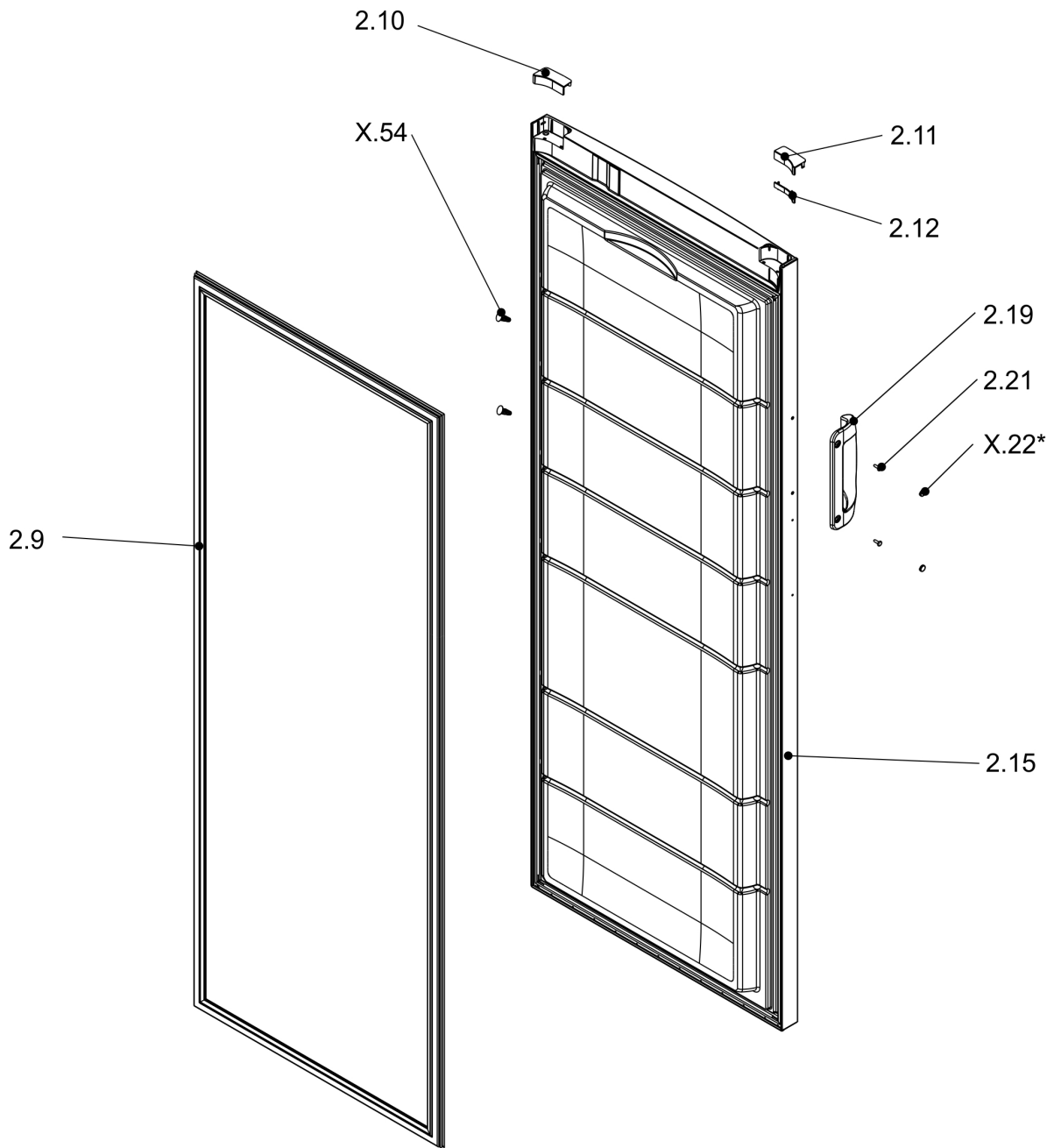
KBS Gastrotechnik GmbH – Schoßbergstraße 26 – 65201 Wiesbaden



*If applicable
 (Jei taikoma)
 (Если применяется)

**Alternative
 (Alternatyva)
 (Альтернатива)

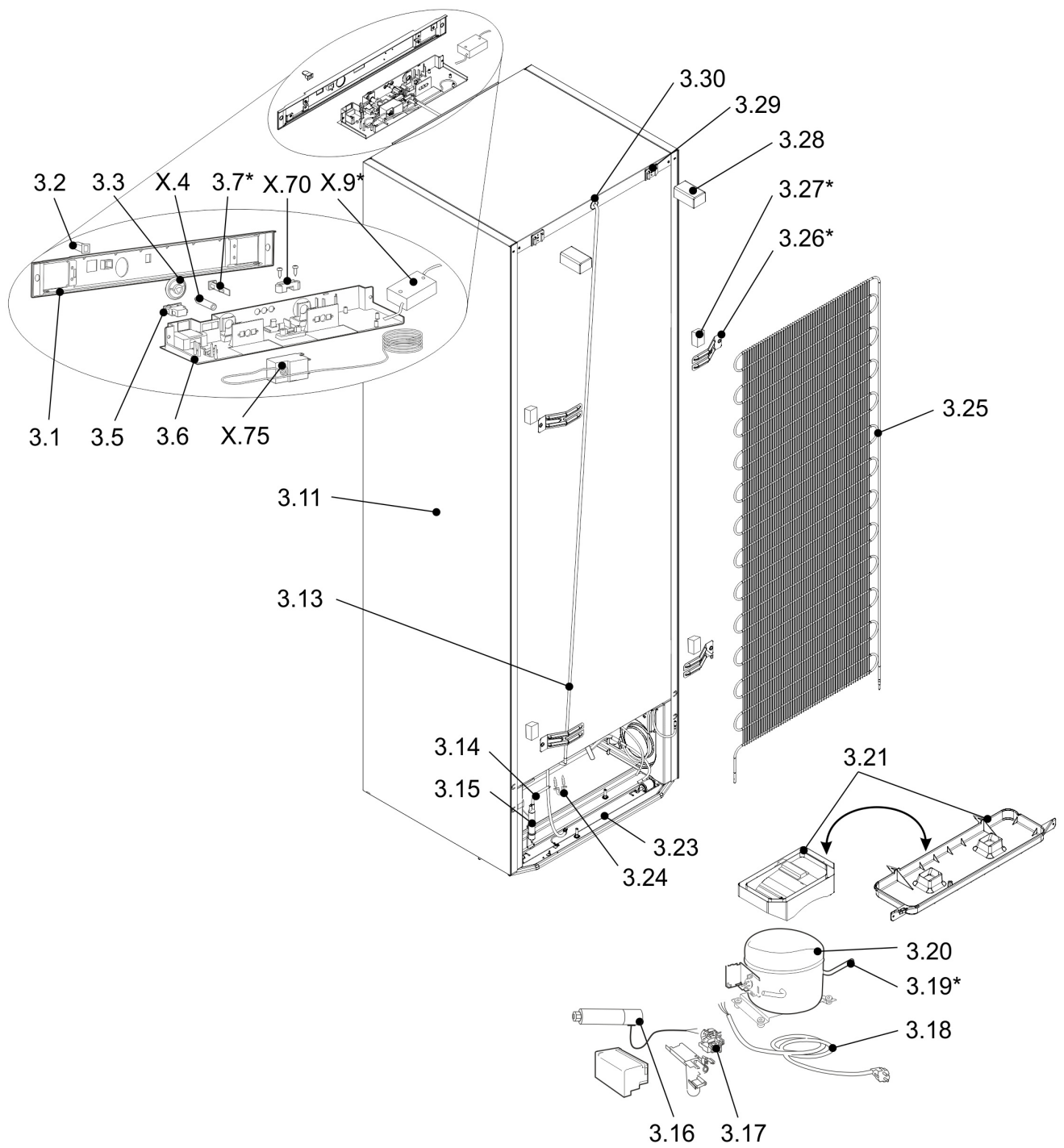
***Amount varies
 (Įvairus kiekius)
 (разное количество)



*If applicable
 (Jei taikoma)
 (Если применяется)

**Alternative
 (Alternatyva)
 (Альтернатива)

***Amount varies
 (Įvairus kiekius)
 (разное количество)



*If applicable
(Jei taikoma)
(Если применяется)

**Alternative
(Alternatyva)
(Альтернатива)

***Amount varies
(Vairus kiekis)
(разное количество)

List of details

Item mark	Product code	Title
X.4	D206103	Axle
X.40	M120254-00-1IP11	Bracket
X.41	M206104-00	Axle
X.44	D710019-P11	Washer
X.54	D322086-P11	Plug
X.70	D140117-O1	Clip
X.75	V420084	Thermostat
1.1	V054151-L2	Shelf
1.5	V054152-L2	Shelf
1.35	D404026-00	Cover of LED plate
1.36	S571055	LED mouting plate
1.37	D315215-00-P11	Cover
1.38	D315214-00-P11	Cover
1.39	D155325	Spacer
1.46	D155327-P11	Spacer
1.47	M120267-00-5IY1	Bracket
1.48	M206106-00	Axle
1.49	V043041-00-J1	Support
1.50	D315266-00-P11	Bottom cover
1.51	D315261-P11	Cover
2.9	V372111-09	Gasket
2.10	D315221-00-P11	Cover
2.11	D315221-01-P11	Cover
2.12	D269088-P11	Insert
2.15	V320261-10-CBF Q	Door
2.19	M253141	Handle
2.21	40081150.0350	Screw
3.1	V060438-P11-KB	Decorative panel
3.2	D315238-P11	Cover
3.3	D253123P11SN01	Knob of thermostat
3.5	S229066	Light switch

Item mark	Product code	Title
3.6	D060196-O	Mouting panel
3.11	V355312-14-CB	Foamed cabinet
3.13	V519185-18	Wiring
3.14	M175136-01	Technological tube
3.15	V433015-00	Filter-dryer
3.16	40010050.4319	Run capacitor
3.17	KRPZ55H1X-Z2	Starting relay
3.18	V503063-67	Supply cord
3.19	M175048-00	Technological tube
3.20	KKPZ55H1X-Z2	Compressor
3.21	D357320-00	Tray of compressor
3.23	V043056-00	Suport for compr. Fixing
3.24	D145028-00	Clip
3.25	KS270124	Condenser
3.28	D270108-00-P11	Support
3.29	D270096-P11	Support
3.30	D212195-00	Bushing