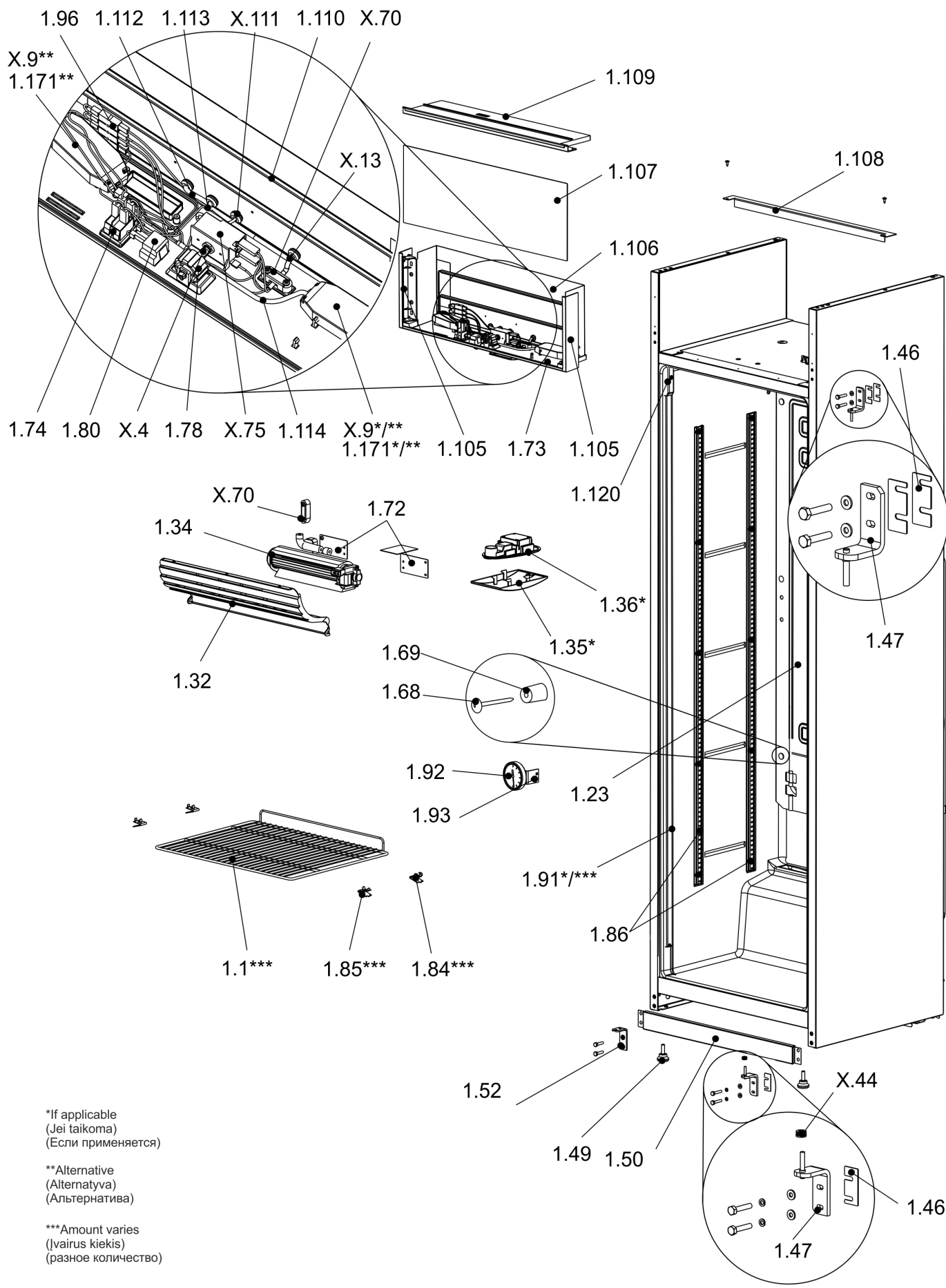


# EXPLOSIONSZEICHNUNG



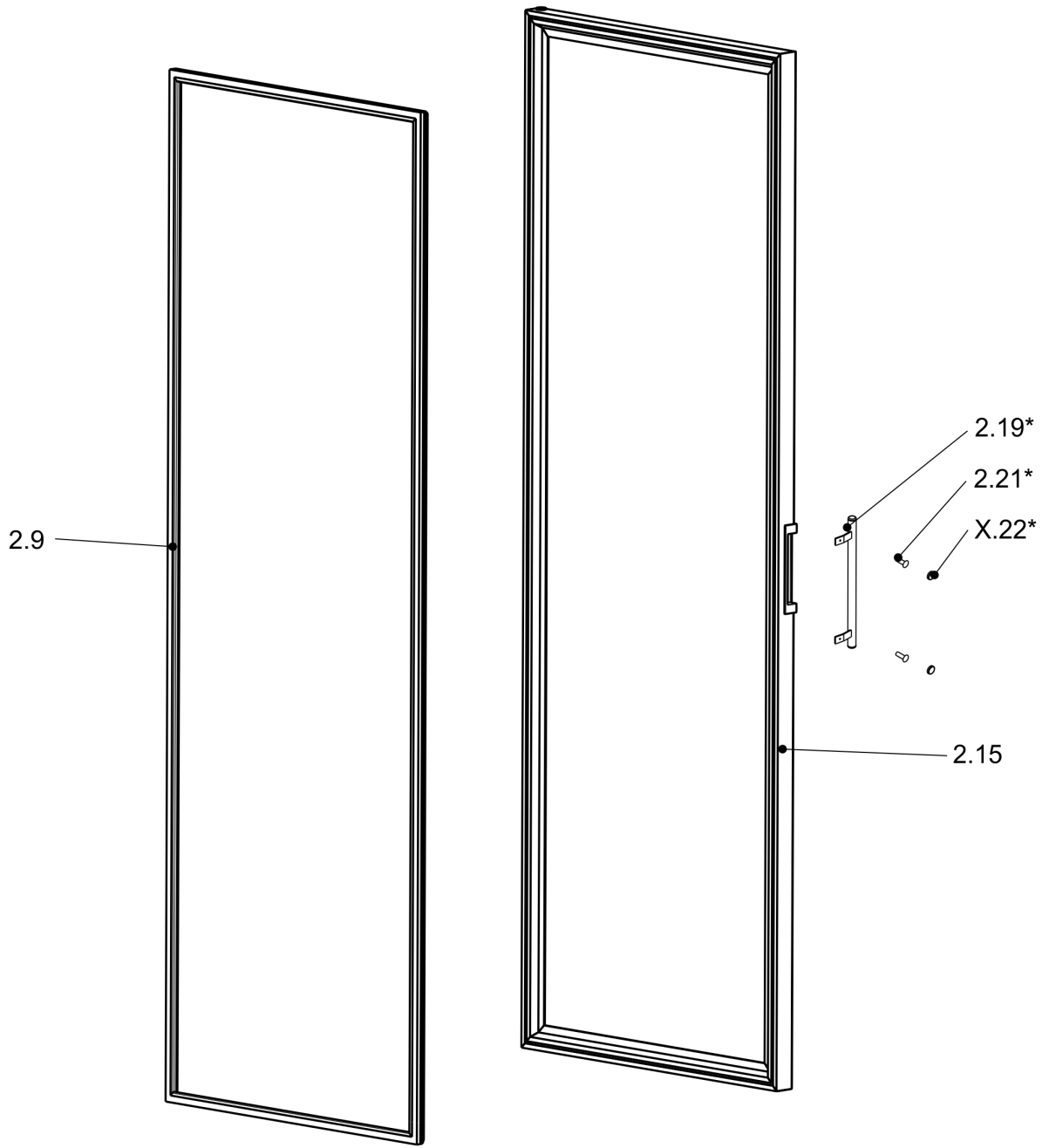
KBS Gastrotechnik GmbH – Schoßbergstraße 26 – 65201 Wiesbaden



\*If applicable  
(Jei taikoma)  
(Если применяется)

\*\*Alternative  
(Alternatyva)  
(Альтернатива)

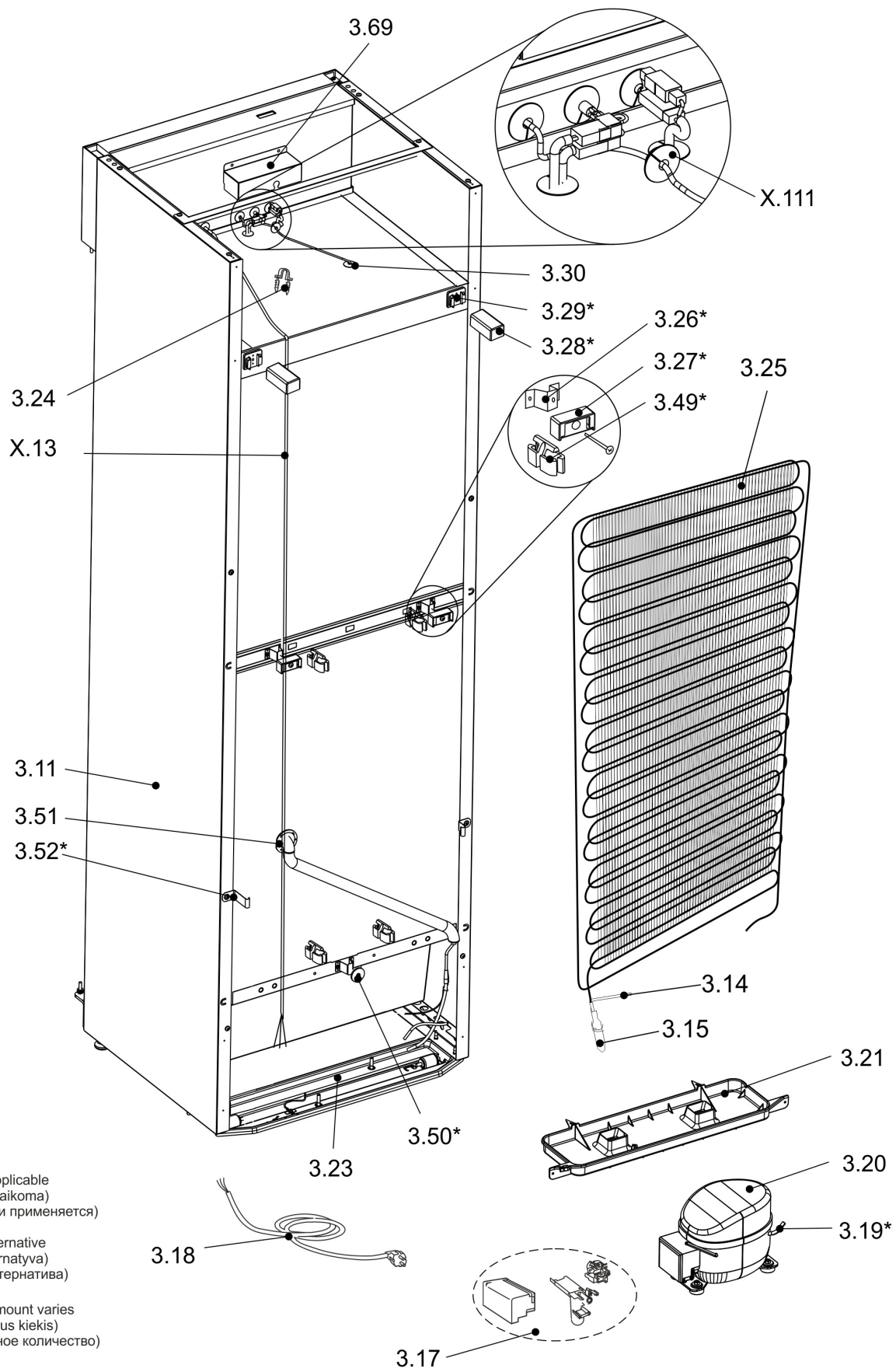
\*\*\*Amount varies  
(Ivairus kiekis)  
(разное количество)



\*If applicable  
(Jei taikoma)  
(Если применяется)

\*\*Alternative  
(Alternatyva)  
(Альтернатива)

\*\*\*Amount varies  
(Ivairus kiekis)  
(разное количество)



# List of details

<b>Item mark</b>	<b>Product code</b>	<b>Title</b>
X.4	D206103	Axle
X.9	S296015-00	Power board
X.13	V519221-00	Wiring
X.44	D710019-O	Washer
X.70	D140117-O1	Clip
X.75	V420126-00	Thermostat
X.111	D212246-O1	Bushing
1.1	V054167-00-O1	Shelf
1.23	V430165-06-O1	Evaporator
1.32	D315286-00-O1	Cover
1.34	V800078-00	Blower
1.46	D155194-00-O1	Spacer
1.47	V120082-00-IO1	Bracket
1.49	V043041-00-J1	Support
1.50	M150424-00-1IO1	Bottom cover
1.52	M120287-00-1IO1	Bracket
1.68	D194073-O	Pin
1.69	D212126	Bushing
1.72	M150402-00-O1	Plate
1.73	D060222-08-O1	Mouting panel
1.74	S229044-00	Switch
1.78	D224012-01-O	Wheel of thermostat dial
1.82	D867733-00xxKB	Plate
1.84	M100216-00-1IO1	Holder
1.85	M100210-00-1IO1	Holder
1.86	M295012-00-1IO1	Support
1.91	S571059	LED light
1.96	S267010	Connection
1.105	D060221-00-O1	Side panel
1.106	M050112-00-4I	Rear wall
1.107	D404028-00	Plophone

<b>Item mark</b>	<b>Product code</b>	<b>Title</b>
1.108	M160309-4	Angle
1.109	D060222-00-01	Mouting panel
1.110	S571060	LED lamp
1.112	V519256-00	Wiring
1.113	V519267-00	Wiring
1.114	V519251-01	Wiring
1.120	D315293-00-01	Cover
1.184	M120278-00-1101	Bracket
1.186	D100211-00-01	Holder
2.15	D-V320332-01-01-SP	Door
3.11	V355321-29-00-PVC	Foamed cabinet
3.14	M175136-01	Technological tube
3.15	V433015-00	Filter-dryer
3.17	KRSZ110H1H-G5	Starting relay
3.18	V503063-67	Supply cord
3.19	M175048-00	Technological tube
3.20	KKSZ110H1H-G5	Compressor
3.21	D357320-00	Tray of compressor
3.23	V043056-00	Suport for compr. Fixing
3.24	D145028-00	Clip
3.25	KS270123-01	Condenser
3.28	D270108-00-01	Support
3.29	D270096-O	Support
3.69	M314031-00-4	Cover