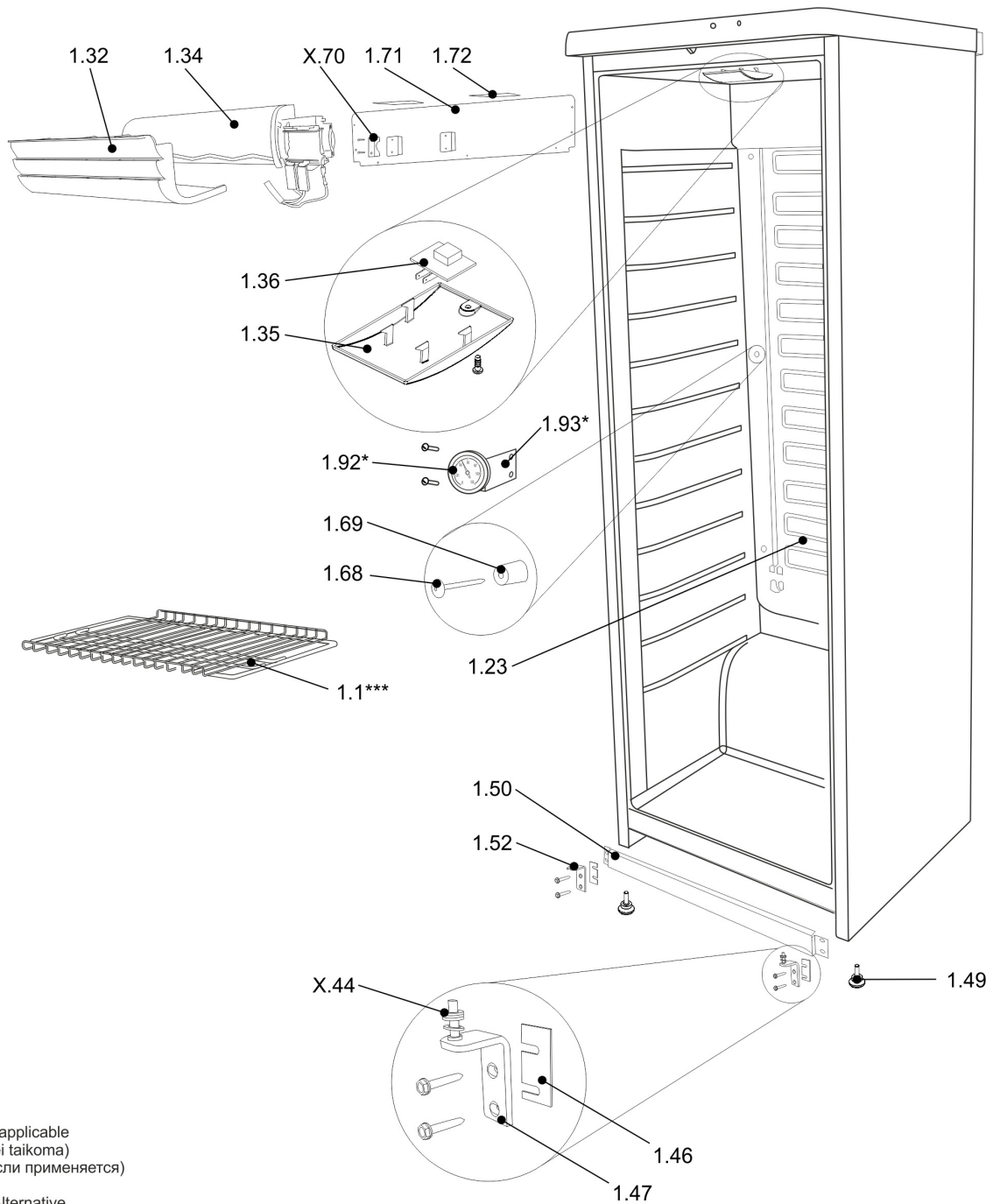


# EXPLOSIONSZEICHNUNG



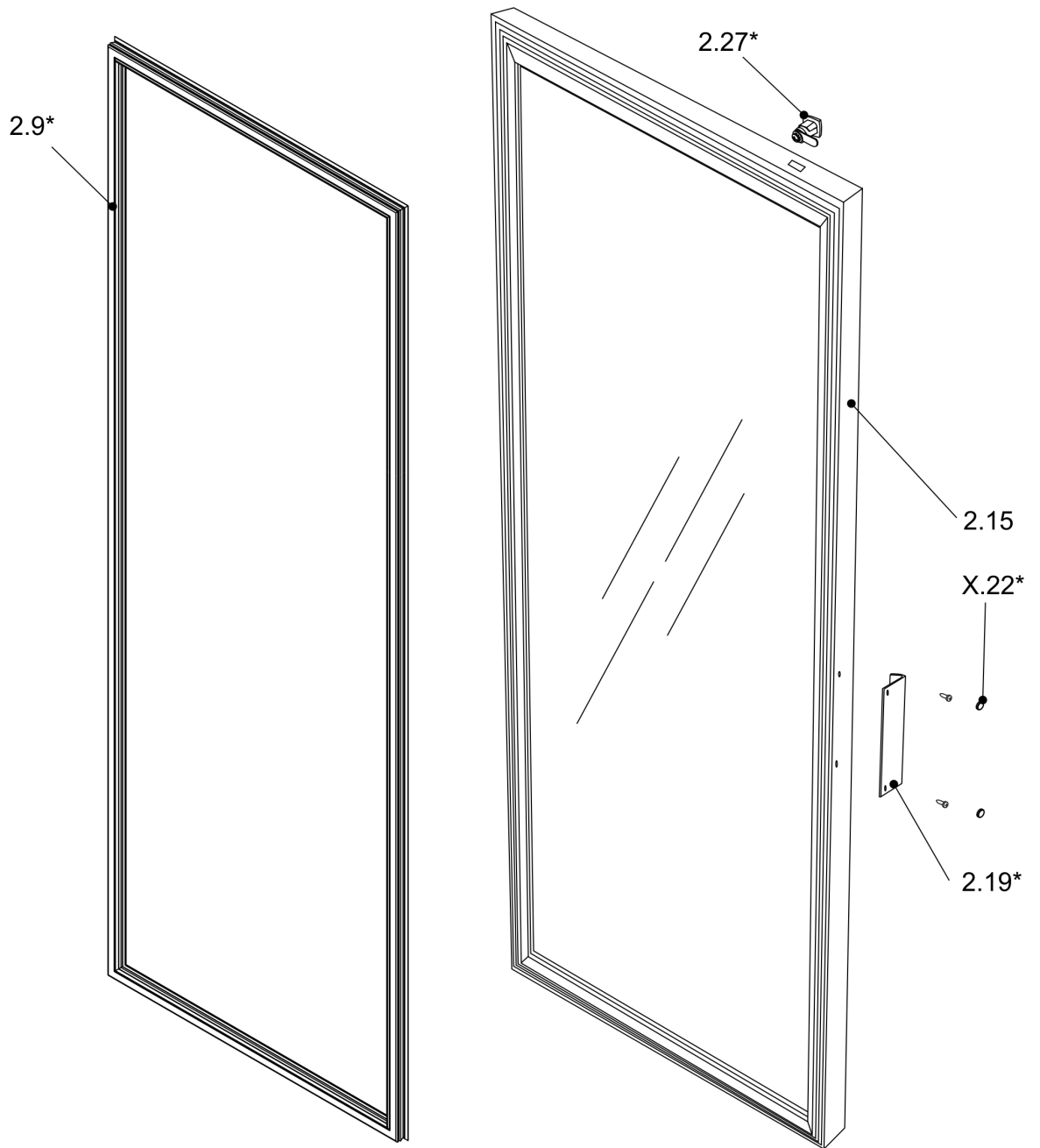
KBS Gastrotechnik GmbH – Schoßbergstraße 26 – 65201 Wiesbaden



\*If applicable  
 (Jei taikoma)  
 (Если применяется)

\*\*Alternative  
 (Alternatyva)  
 (Альтернатива)

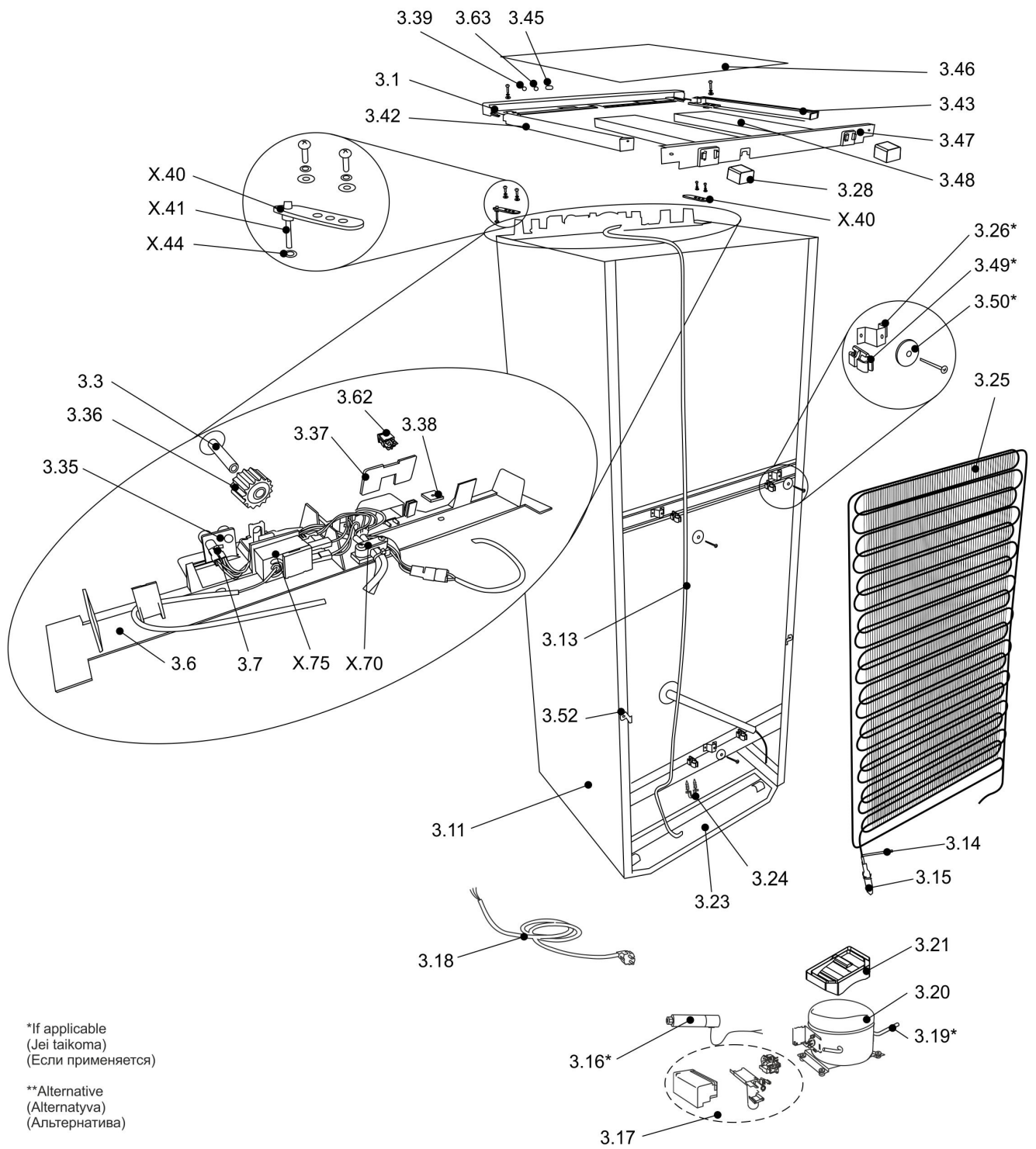
\*\*\*Amount varies  
 (Ivairus kiekis)  
 (разное количество)



\*If applicable  
 (Jei taikoma)  
 (Если применяется)

\*\*Alternative  
 (Alternatyva)  
 (Альтернатива)

\*\*\*Amount varies  
 (Ivairus kiekis)  
 (разное количество)



\*If applicable  
(Jei taikoma)  
(Если применяется)

\*\*Alternative  
(Alternatyva)  
(Альтернатива)

\*\*\*Amount varies  
(Ivairus kiekis)  
(разное количество)

# List of details

<b>Item mark</b>	<b>Product code</b>	<b>Title</b>
X.40	M120204-00-1IY1	Bracket
X.41	M206077-00	Axle
X.44	D710019-O	Washer
X.70	D140117-O1	Clip
X.75	V420090	Thermostat
1.1	V054081-00-O1	Shelf
1.23	V430165-02-O1	Evaporator
1.32	D315143-00-O1	Cover
1.34	S800073	Blower
1.35	D404026-00	Cover of LED plate
1.36	S571057	LED mouting plate
1.46	D155194-00-O1	Spacer
1.47	V120082-00-IO1	Bracket
1.49	V043041-00-J1	Support
1.50	M150424-00-1IO1	Bottom cover
1.52	M120287-00-1IO1	Bracket
1.68	D194073-O	Pin
1.69	D212126	Bushing
1.71	D327009	Plate
1.72	M150402-01-O1	Plate
2.9	V372105-00	Gasket
2.15	D-V320419-00	Door
2.19	M253109-01	Handle
3.1	D060168OXX01	Decorative panel
3.3	D253099OSN141	Knob of thermostat
3.6	D060173-00-O	Mouting panel
3.7	S571066	signal lamp
3.11	V355302-11-00	Foamed cabinet
3.13	V519150-08	Wiring
3.14	M175136-01	Technological tube
3.15	V433015-00	Filter-dryer

<b>Item mark</b>	<b>Product code</b>	<b>Title</b>
3.17	KRSZ110H1H-G5	Starting relay
3.18	V503063-67	Supply cord
3.19	M175048-00	Technological tube
3.20	KKSZ110H1H-G5	Compressor
3.21	D357357-00	Tray of compressor
3.23	V043056-00	Suport for compr. Fixing
3.24	D145028-00	Clip
3.25	KS270123-01	Condenser
3.28	D270108-00-01	Support
3.35	D100130	Holder
3.36	D224008-O	Wheel
3.37	D100140-O	Holder
3.38	M150427-00-Y1	Plate
3.39	D315117-04-O	Cap
3.42	D161016-01-O	Angle
3.43	D161016-00-O	Angle
3.45	D315133	Cap
3.46	D315138-O	Cover
3.47	D151113-O	Plate
3.48	D156067-03	Spacer
3.51	D322042-00	Plug
3.62	S229037	Switch
3.63	D315117-01	Cover