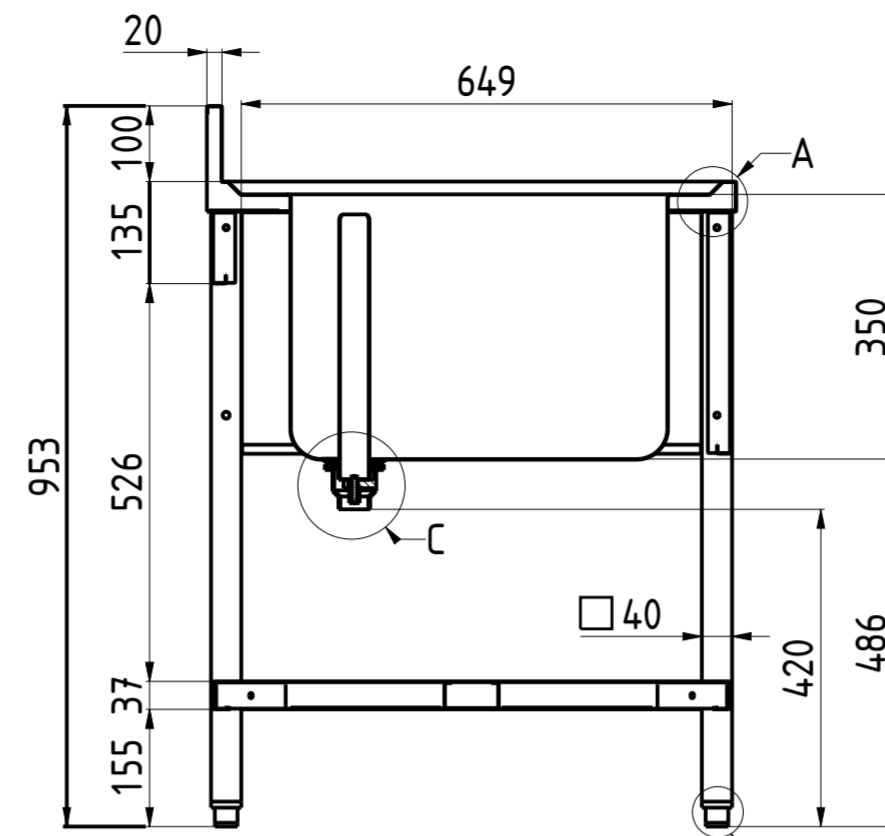
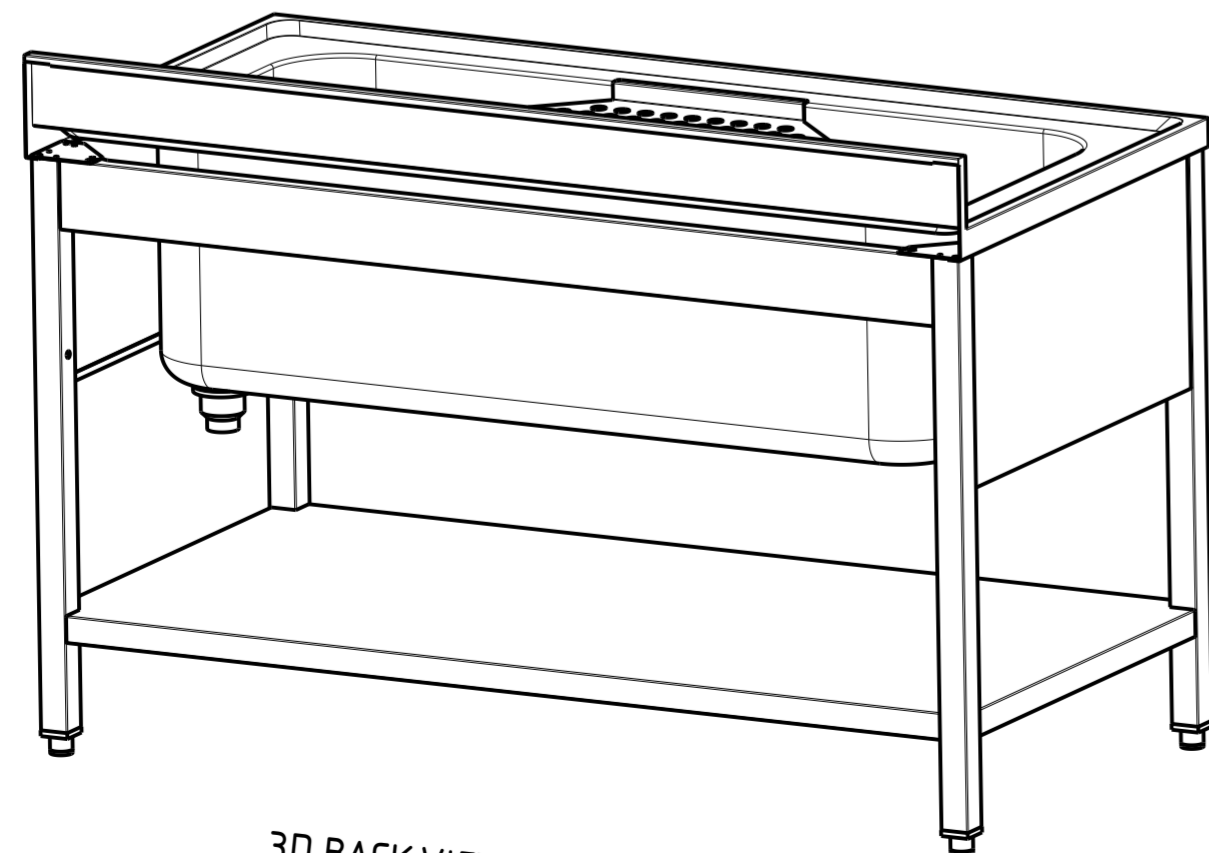
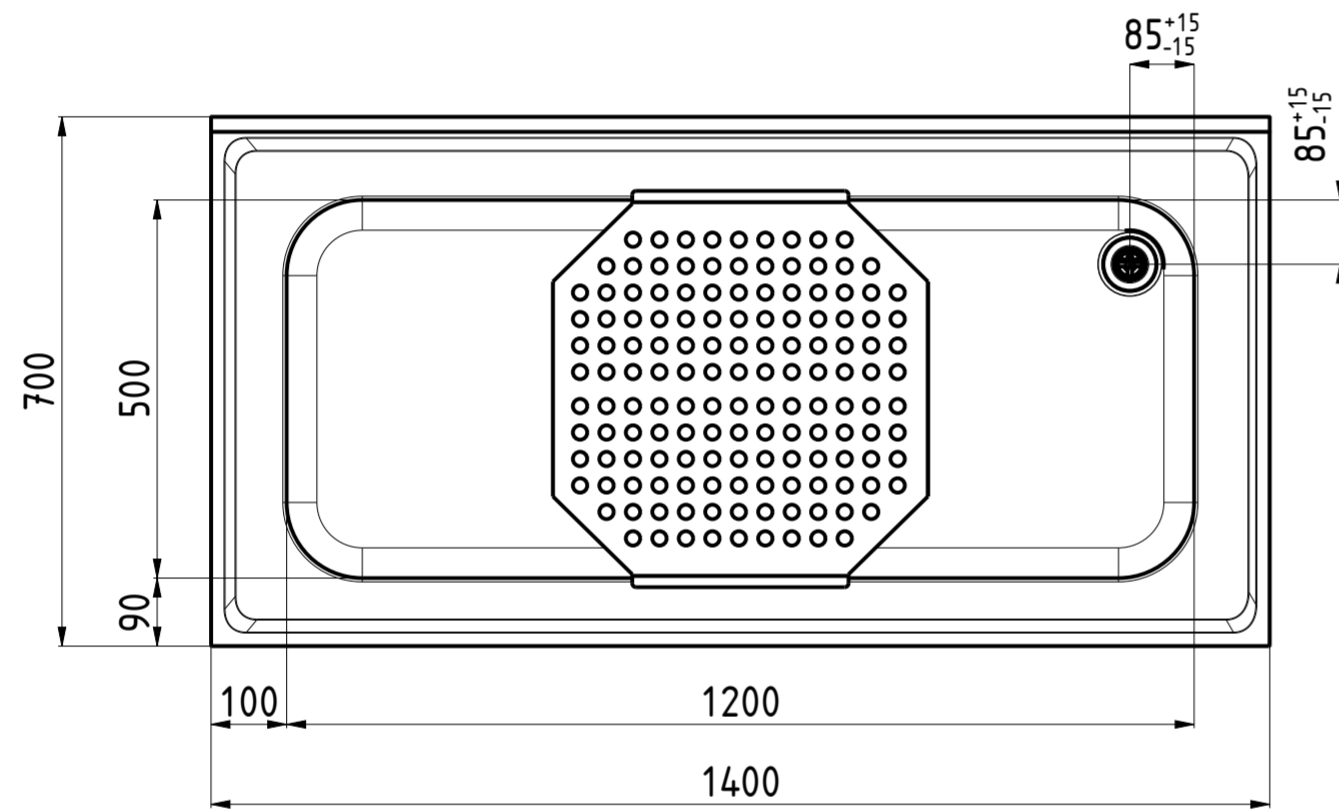
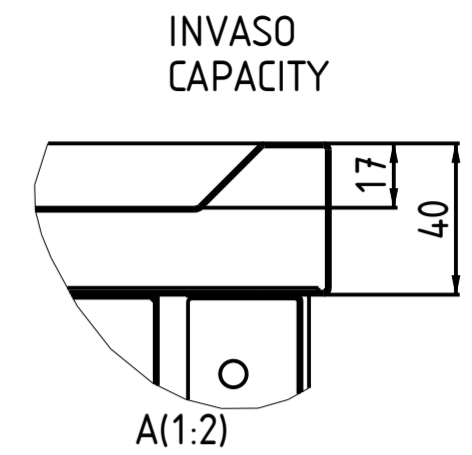
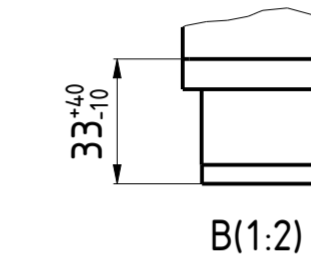
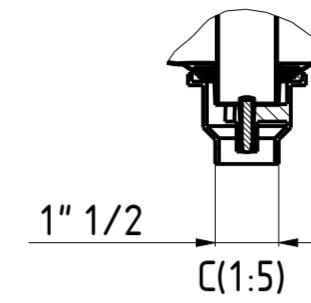


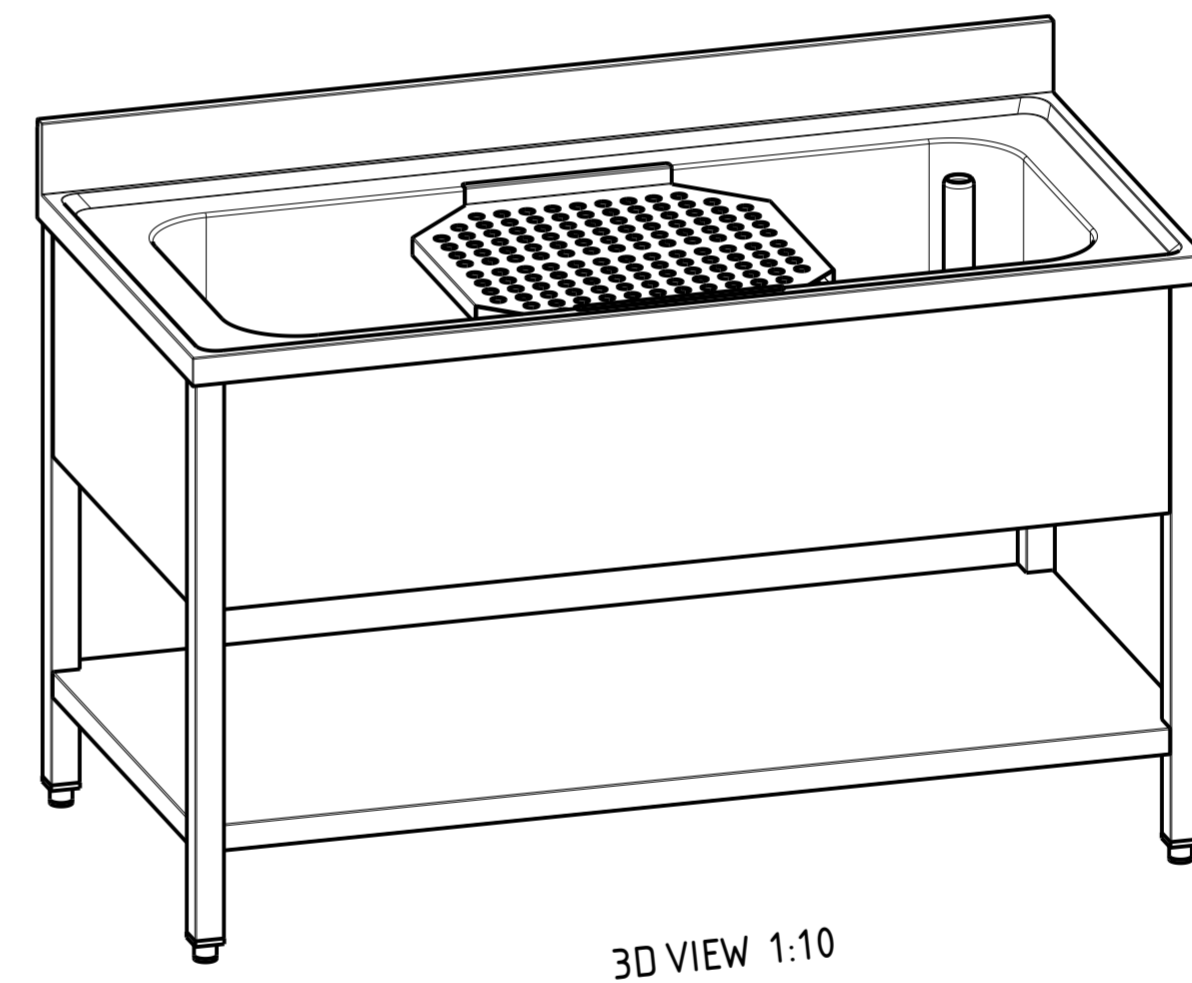
FRONT VIEW 1:10



C-C



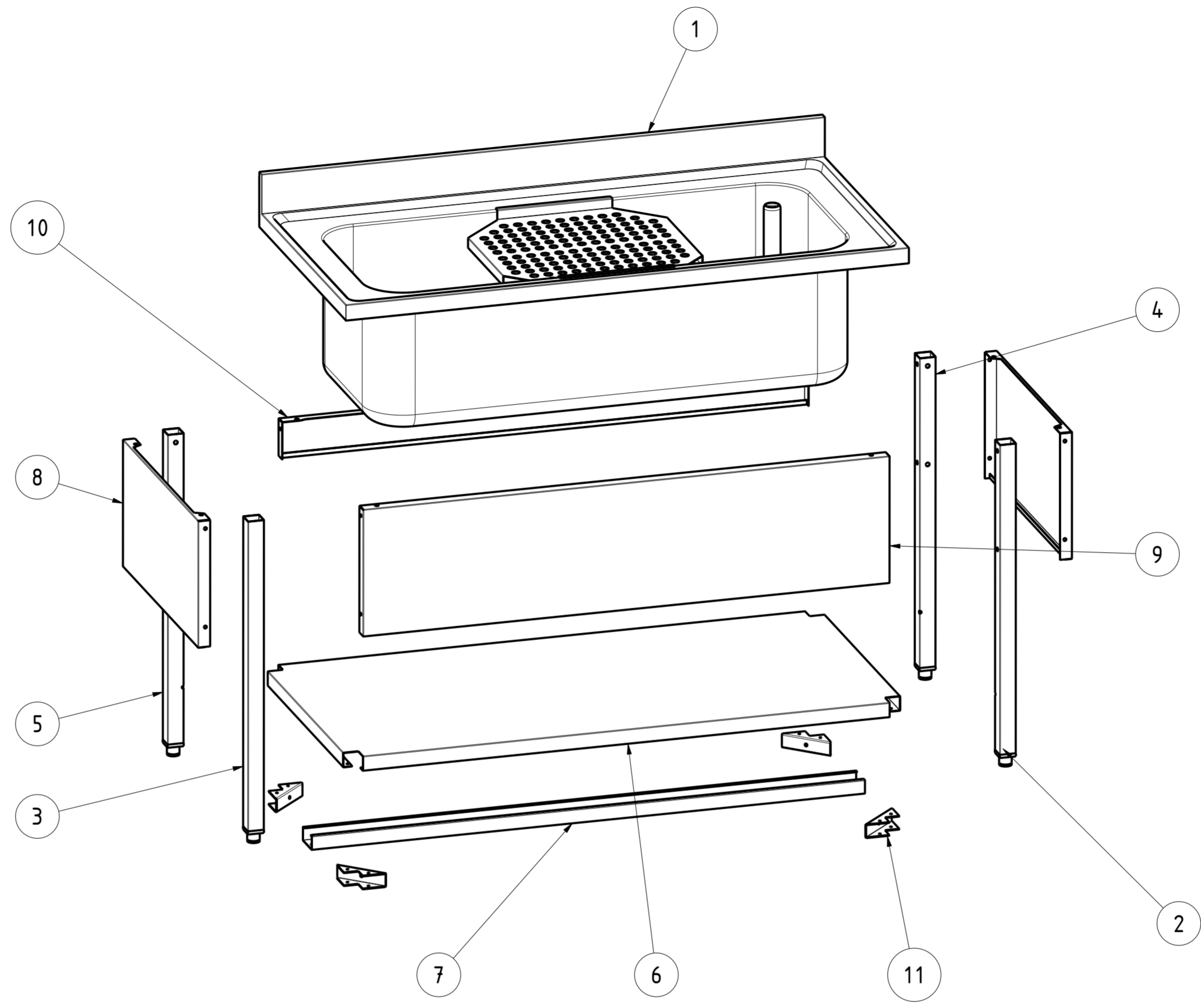
3D BACK VIEW 1:10



3D VIEW 1:10

DATA DATE	MODIF. N. MODIF. NO.	DESCRIZIONE MODIFICHE MODIFICATION DESCRIPTION	DISegnATO DRAWN BY	APPROVATO APPROVED
MODELLO MODEL	LAVATOIO 1 VASCA 140x70 GRILIA POSATEGAMI 50x50 SINK 1 BASIN 140x70 PANS LAYING GRILL 50x50		DISegNO N. DRAWING NO.	SCALA SCALE
			DSLGV147_DSGPT55	-
PARTICOLARE DETAIL	SCHEDA TECNICA DATA SHEET		DISegNATO DRAWN BY	DATA DATE
MATERIALE MATERIAL	SPESSE THICK.	APPROVATO APPROVED	SHEET 2 OF 4	
FINITURA FINISH	PEZZI N. PIECES NO.	SOSTITUISCE IL DIS. N. IT REPLACES DRAWING NO.	ULTIMA EMISS. LAST EDITION	
TRATTAMENTO TREATMENT	COLORE COLOUR	SOSTITUITO DAL DIS. N. REPLACED BY DRAWING NO.		
RISTOPRO PROFESSIONAL CATERING EQUIPMENT		RISTOPRO SRL FRAZ. BORGO TUFICO, 47 FABRIANO (AN) ITALY +39.732.043494 WWW.RISTOPRO.COM		 mm

TOLLERANZA UNLESS OTHERWISE STATED
 QUOTE SENZA TOLLERANZA
 QUOTA PRIMARIA
 DESIGNED BY CAD/STEM
 XX
 PRIMARY DIMENSION
 ANGOLI
 Angles
 30°
 ± 0.75
 ± 0.65
 ± 0.60
 ± 0.55
 ± 0.50
 ± 0.45
 ± 0.40
 ± 0.35
 ± 0.30
 ± 0.25
 ± 0.20
 ± 0.15
 ± 0.10
 LUNGH. E DIAM.
 LENGTH AND DIAM.
 FORM.A-2



11	NT1980	4	PIASTRA ANGOLO FIX PIANO FONDO	CORNER PLATE FIXING SHELF BOTTOM
10	NT409	1	PANNELLO CHIUSURA POSTER. L140	REAR CLOSURE PANEL L140
9	NT400	1	PANNELLO CHIUSURA ANTER. L140	FRONT PANEL SINK ON LEGS L140
8	NT395	2	PANNELLO CHIUSURA LATER. P70	LATERAL PANEL SINK ON SQUARE LEGS P70
7	NT272	1	RINFORZO PIANO FONDO L 140	REINFORCEMENT L140
6	NT263	1	PIANO DI FONDO 140x70	BASE SHELF 140x70
5	ASS_LEG_ACQ_SINK_PS_1R	1	ASS LEG SINK BACK LEFT	ASS LEG SINK BACK LEFT
4	ASS_LEG_ACQ_SINK_PD_1R	1	ASS LEG SINK BACK RIGHT	ASS LEG SINK BACK RIGHT
3	ASS_LEG_ACQ_SINK_AS_1R	1	ASS LEG SINK FRONT LEFT	ASS LEG SINK FRONT LEFT
2	ASS_LEG_ACQ_SINK_AD_1R	1	ASS LEG SINK FRONT RIGHT	ASS LEG SINK FRONT RIGHT
1	ASS_LAV_147_1_125_35_GPT55	1	ASS LAVELLO 140x70 1 VASCA 120x50 H35 GRIGLIA 50x50	SINK ASSEMBLY 140x70 1 BASIN 120x50 H35 GRILL 50x50
ITEM NO	PART NUMBER	QTY	DESCRIPTION	

DATA DATE	MODIF. N. MODIF. NO.	DESCRIZIONE MODIFICHE MODIFICATION DESCRIPTION	DISegnATO DRAWN BY	APPROVATO APPROVED
MODELLO MODEL	LAVATOIO 1 VASCA 140x70 GRILIA POSATEGAMI 50x50 SINK 1 BASIN 140x70 PANS LAYING GRILL 50x50		DISegno N. DRAWING NO. DSLG1V147_DSGPT55	SCALA SCALE -
PARTICOLARE DETAIL	ESPLOSO EXPLODED VIEW		DISegnATO DRAWN BY M.PAPI	DATA DATE -
MATERIALE MATERIAL	SPES.S. THICK.	APPROVATO APPROVED	SHEET 3 OF 4	
FINITURA FINISH	PEZZI N. PIECES NO.	SOSTITUISCE IL DIS. N. IT REPLACES DRAWING NO.	ULTIMA EMISS. LAST EDITION	
TRATTAMENTO TREATMENT	COLORE COLOUR	SOSTITUITO DAL DIS. N. REPLACED BY DRAWING NO.		
		RISTOPRO SRL FRAZ. BORGO TUFICO, 47 FABRIANO (AN) ITALY +39.732.043494 WWW.RISTOPRO.COM		 mm

ELABORATO CON SISTEMA CAD DESIGNED BY CADSTEM
 QUOTA PRIMARIA PRIMARY DIMENSION XX
 ANGOLI Angles 30°
 TOLLERANZA UNLESS OTHERWISE STATED
 QUOTE SENZA TOLLERANZA
 >500 ±0.75
 400-500 ±0.65
 315-400 ±0.60
 250-315 ±0.55
 180-250 ±0.50
 120-180 ±0.45
 80-120 ±0.40
 50-80 ±0.35
 30-50 ±0.30
 10-30 ±0.25
 5-10 ±0.15
 0-5 ±0.10
 LUNGH. E DIAM. LENGTH AND DIAM. FORM.A-2