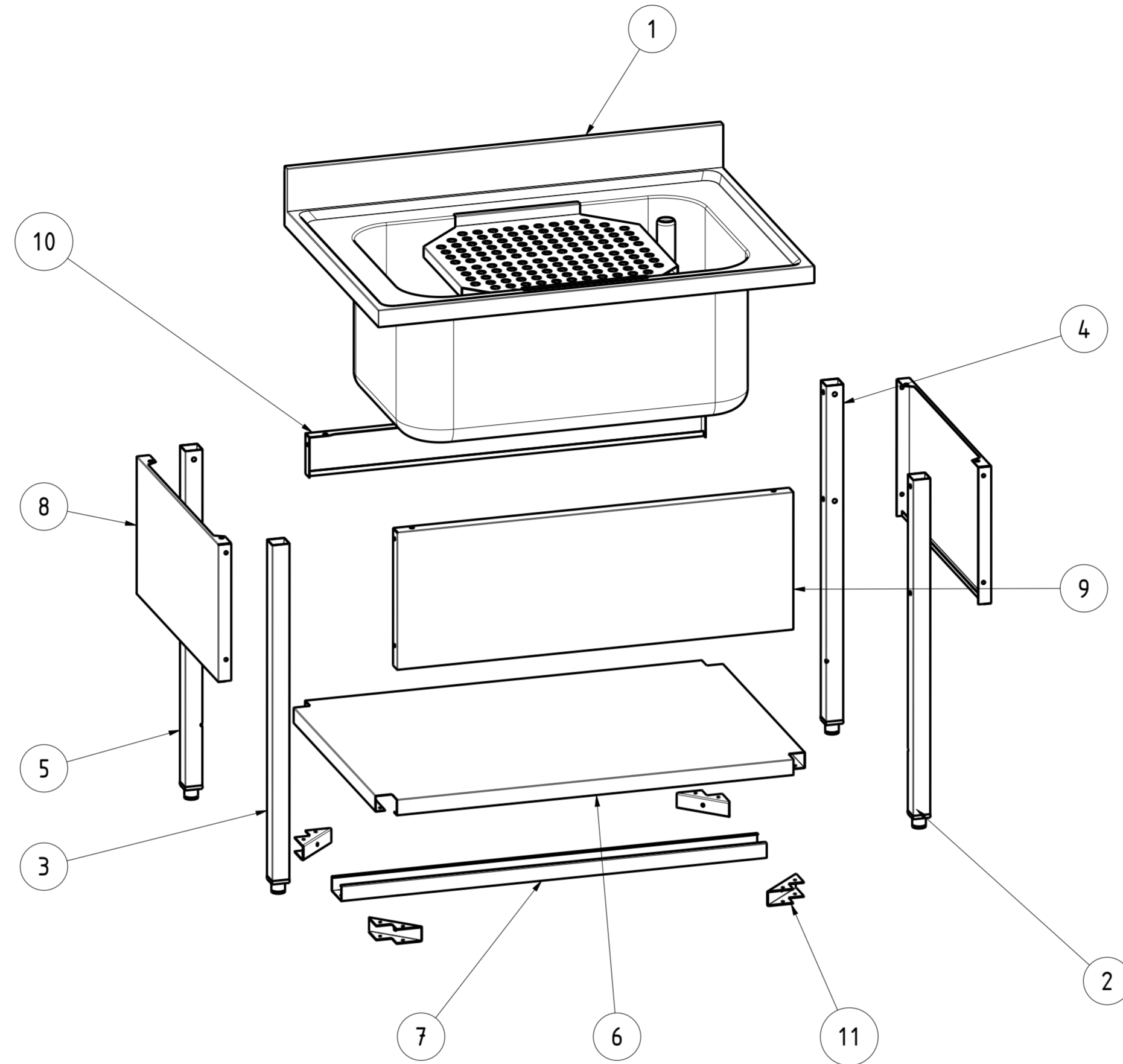


EXPLOSIONSZEICHNUNG



KBS Gastrotechnik GmbH – Schoßbergstraße 26 – 65201 Wiesbaden



11	NT1980	4	PIASTRA ANGOLO FIX PIANO FONDO	CORNER PLATE FIXING SHELF BOTTOM
10	NT407	1	PANNELLO CHIUSURA POSTER. L100	REAR CLOSURE PANEL L100
9	NT398	1	PANNELLO CHIUSURA ANTER. L100	FRONT PANEL SINK ON LEGS L100
8	NT395	2	PANNELLO CHIUSURA LATER. P70	LATERAL PANEL SINK ON SQUARE LEGS P70
7	NT270	1	RINFORZO PIANO FONDO L 100	REINFORCEMENT L100
6	NT261	1	PIANO DI FONDO 100x70	BASE SHELF 100x70
5	ASS_LEG_ACQ_SINK_PS_1R	1	ASS LEG SINK BACK LEFT	ASS LEG SINK BACK LEFT
4	ASS_LEG_ACQ_SINK_PD_1R	1	ASS LEG SINK BACK RIGHT	ASS LEG SINK BACK RIGHT
3	ASS_LEG_ACQ_SINK_AS_1R	1	ASS LEG SINK FRONT LEFT	ASS LEG SINK FRONT LEFT
2	ASS_LEG_ACQ_SINK_AD_1R	1	ASS LEG SINK FRONT RIGHT	ASS LEG SINK FRONT RIGHT
1	ASS_LAV_107_1_85_35_GPT55	1	ASS LAVELLO 100x70 1 VASCA 80x50 H35 GRIGLIA 50x50	SINK ASSEMBLY 100x70 1 BASIN 80x50 H35 GRILL 50x50
ITEM NO	PART NUMBER	QTY	DESCRIPTION	

DATA DATE	MODIF. N. MODIF. NO.	DESCRIZIONE MODIFICHE MODIFICATION DESCRIPTION	DISegnATO DRAWN BY	APPROVATO APPROVED
MODELLO MODEL	LAVATOIO 1 VASCA 100x70 GRILIA POSATEGAMI 50x50 SINK 1 BASIN 100x70 LAYING GRILL 50x50		DISegno N. DRAWING NO. DSLG1V107_DSGPT55	SCALA SCALE -
PARTICOLARE DETAIL	ESPLOSO EXPLODED VIEW		DISegnATO DRAWN BY M.PAPI	DATA DATE -
MATERIALE MATERIAL	SPESS. THICK.	APPROVATO APPROVED	SHEET 3 OF 4	
FINITURA FINISH	PEZZI N. PIECES NO.	SOSTITUISCE IL DIS. N. IT REPLACES DRAWING NO.	ULTIMA EMISS. LAST EDITION	
TRATTAMENTO TREATMENT	COLORE COLOUR	SOSTITUITO DAL DIS. N. REPLACED BY DRAWING NO.		
		RISTOPRO SRL FRAZ. BORGO TUFICO, 47 FABRIANO (AN) ITALY +39.732.043494 WWW.RISTOPRO.COM		 mm

ELABORATO CON SISTEMA CAD
DESIGNED BY CAD/STEM

QUOTA PRIMARIA
PRIMARY DIMENSION
XX

ANGOLI
Angles
30°

>500
±0.75
400-500
±0.65
315-400
±0.60
250-315
±0.55
180-250
±0.50
120-180
±0.45
80-120
±0.40
50-80
±0.35

TOLLERANZA UNLESS OTHERWISE STATED

QUOTE SENZA TOLLERANZA
DIMENSIONS WITHOUT TOLERANCES

5-10
±0.15
10-18
±0.20
18-30
±0.25

LUNGHEZZA E DIAM.
LENGTH AND DIAM.
±0.10

FORM.A-2