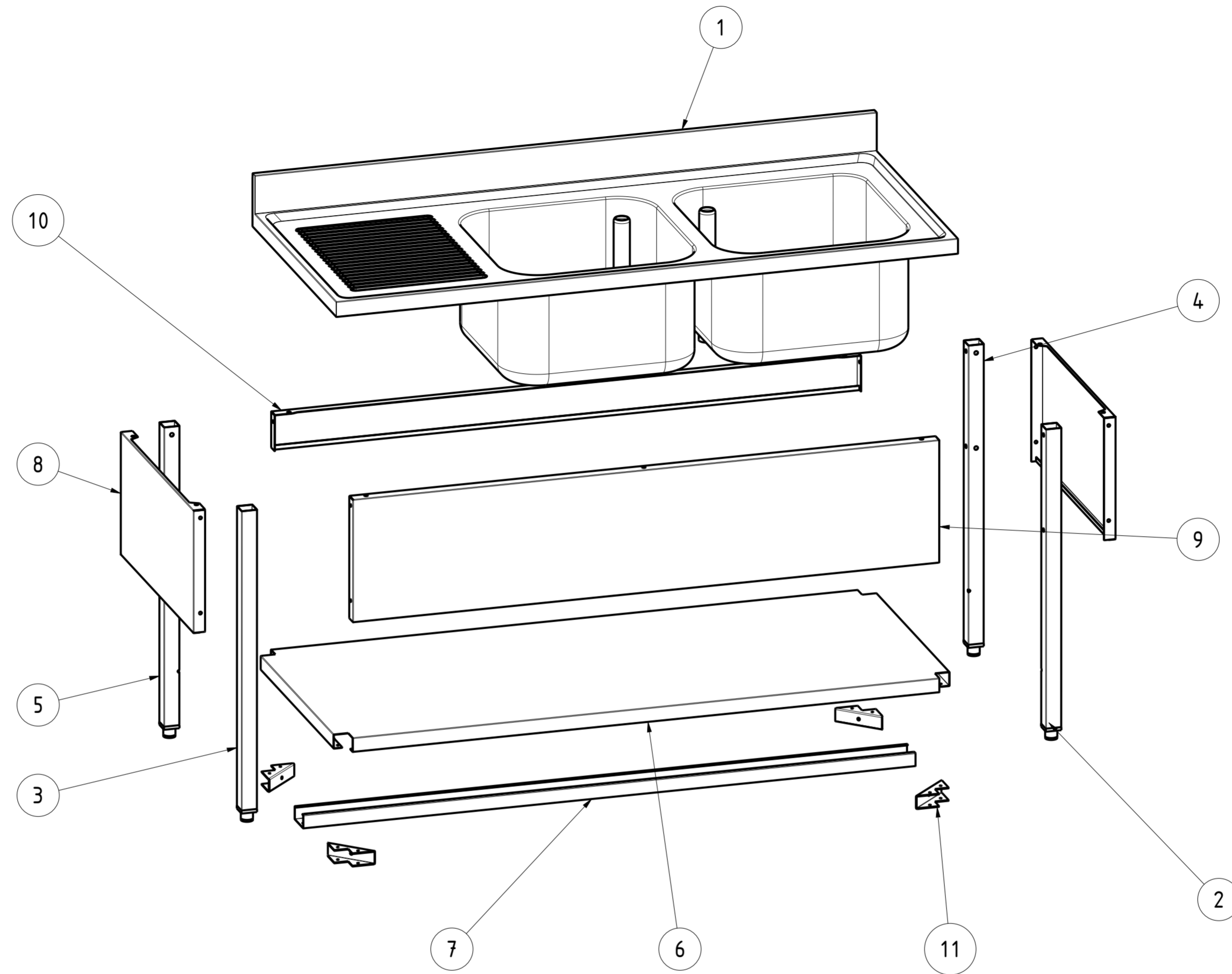


# EXPLOSIONSZEICHNUNG



KBS Gastrotechnik GmbH – Schoßbergstraße 26 – 65201 Wiesbaden



ITEM NO	PART NUMBER	QTY	DESCRIPTION	DESCRIPTION
11	NT1980	4	PIASTRA ANGOLO FIX PIANO FONDO	CORNER PLATE FIXING SHELF BOTTOM
10	NT411	1	PANNELLO CHIUSURA POSTER. L160	REAR CLOSURE PANEL L160
9	NT402	1	PANNELLO CHIUSURA ANTER. L160	FRONT PANEL SINK ON LEGS L160
8	NT395	2	PANNELLO CHIUSURA LATER. P70	LATERAL PANEL SINK ON SQUARE LEGS P70
7	NT274	1	RINFORZO PIANO FONDO L 160	REINFORCEMENT L160
6	NT265	1	PIANO DI FONDO 160x70	BASE SHELF 160x70
5	ASS_LEG_ACQ_SINK_PS_1R	1	ASS LEG SINK BACK LEFT	ASS LEG SINK BACK LEFT
4	ASS_LEG_ACQ_SINK_PD_1R	1	ASS LEG SINK BACK RIGHT	ASS LEG SINK BACK RIGHT
3	ASS_LEG_ACQ_SINK_AS_1R	1	ASS LEG SINK FRONT LEFT	ASS LEG SINK FRONT LEFT
2	ASS_LEG_ACQ_SINK_AD_1R	1	ASS LEG SINK FRONT RIGHT	ASS LEG SINK FRONT RIGHT
1	ASS_LAV_167_2_55_GSX	1	ASS LAVELLO 160x70 2 VASCHE 50x50 GOCC SX	SINK ASSEMBLY 160x70 2 BASIN 50x50 LEFT DRAWER

DATA DATE	MODIF. N. MODIF. NO.	DESCRIZIONE MODIFICHE MODIFICATION DESCRIPTION	DISegnATO DRAWN BY	APPROVATO APPROVED
MODELLO MODEL		LAVATOIO 2 VASCHE 50x50x30 GOCC SX 150x70 SINK 2 BASIN 50x50x30 DRAINER LEFT 150x70	DISegno N. DRAWING NO. DSLG2VGS167T	SCALA SCALE -
PARTICOLARE DETAIL		ESPLOSO EXPLODED VIEW	DISegnATO DRAWN BY M.PAPI	DATA DATE -
MATERIALE MATERIAL		SPESS. THICK.	APPROVATO APPROVED	SHEET 3 OF 4
FINITURA FINISH		PEZZI N. PIECES NO.	SOSTITUISCE IL DIS. N. IT REPLACES DRAWING NO.	ULTIMA EMISS. LAST EDITION
TRATTAMENTO TREATMENT		COLORE COLOUR	SOSTITUITO DAL DIS. N. REPLACED BY DRAWING NO.	

**RISTOPRO** PROFESSIONAL CATERING EQUIPMENT  
 RISTOPRO SRL  
 FRAZ. BORGO TUFICO, 47 FABRIANO (AN)  
 ITALY +39.732.043494  
 WWW.RISTOPRO.COM

mm  
 FORM.A-2

ELABORATO CON SISTEMA CAD DESIGNED BY CADSTEM  
 QUOTA PRIMARIA PRIMARY DIMENSION XX  
 ANGOLI Angles 30°  
 TOLLERANZA UNLESS OTHERWISE STATED  
 QUOTE SENZA TOLLERANZA  
 >500 ±0.75  
 400-500 ±0.65  
 315-400 ±0.60  
 250-315 ±0.55  
 180-250 ±0.50  
 120-180 ±0.45  
 80-120 ±0.40  
 50-80 ±0.35  
 30-50 ±0.30  
 10-30 ±0.25  
 5-10 ±0.15  
 0-5 ±0.10  
 LUNGH. E DIAM. LENGTH AND DIAM.