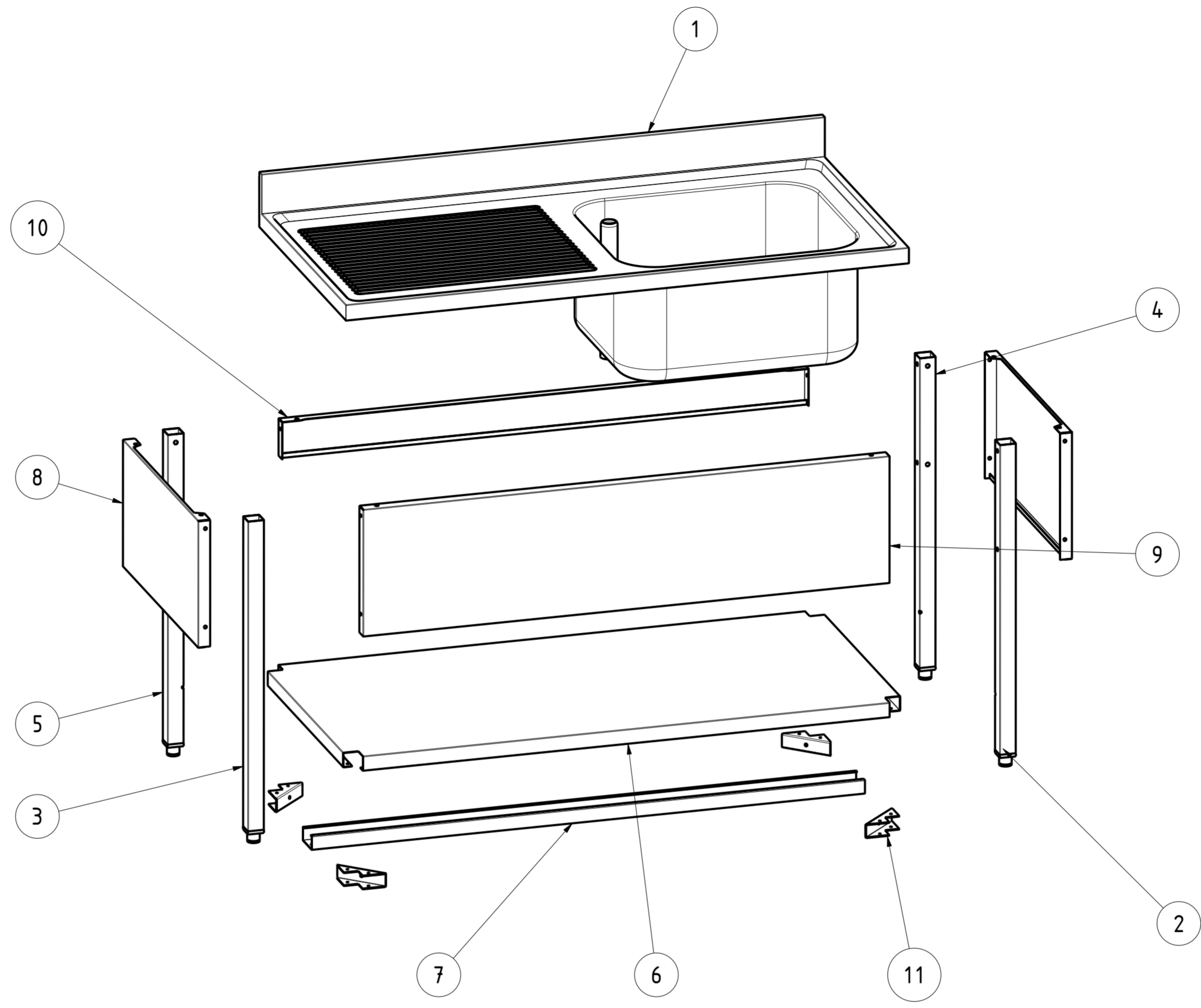


# EXPLOSIONSZEICHNUNG



KBS Gastrotechnik GmbH – Schoßbergstraße 26 – 65201 Wiesbaden



11	NT1980	4	PIASTRA ANGOLO FIX PIANO FONDO	CORNER PLATE FIXING SHELF BOTTOM
10	NT409	1	PANNELLO CHIUSURA POSTER. L140	REAR CLOSURE PANEL L140
9	NT400	1	PANNELLO CHIUSURA ANTER. L140	FRONT PANEL SINK ON LEGS L140
8	NT395	2	PANNELLO CHIUSURA LATER. P70	LATERAL PANEL SINK ON SQUARE LEGS P70
7	NT272	1	RINFORZO PIANO FONDO L 140	REINFORCEMENT L140
6	NT263	1	PIANO DI FONDO 140x70	BASE SHELF 140x70
5	ASS_LEG_ACQ_SINK_PS_1R	1	ASS LEG SINK BACK LEFT	ASS LEG SINK BACK LEFT
4	ASS_LEG_ACQ_SINK_PD_1R	1	ASS LEG SINK BACK RIGHT	ASS LEG SINK BACK RIGHT
3	ASS_LEG_ACQ_SINK_AS_1R	1	ASS LEG SINK FRONT LEFT	ASS LEG SINK FRONT LEFT
2	ASS_LEG_ACQ_SINK_AD_1R	1	ASS LEG SINK FRONT RIGHT	ASS LEG SINK FRONT RIGHT
1	ASS_LAV_1VGS147	1	ASS LAVELLO 140x70 1 VASCA 60x50 GOCC SX	SINK ASSEMBLY 140x70 1 BASIN 60x50 LEFT DRAWER
ITEM NO	PART NUMBER	QTY	DESCRIPTION	

DATA DATE	MODIF. N. MODIF. NO.	DESCRIZIONE MODIFICHE MODIFICATION DESCRIPTION	DISegnATO DRAWN BY	APPROVATO APPROVED
MODELLO MODEL		LAVATOIO 1 VASCA GOCC SX 140x70 SINK 1 BASIN LEFT DRAINER 140x70	DISegno N. DRAWING NO. DSLG1VGS147T	SCALA SCALE -
PARTICOLARE DETAIL		ESPLOSO EXPLODED VIEW	DISegnATO DRAWN BY M.PAPI	DATA DATE -
MATERIALE MATERIAL			APPROVATO APPROVED	SHEET 3 OF 4
FINITURA FINISH			PEZZI N. PIECES NO.	ULTIMA EMISS. LAST EDITION
TRATTAMENTO TREATMENT			COLORE COLOUR	SOSTITUISCE IL DIS. N. IT REPLACES DRAWING NO.
				SOSTITUITO DAL DIS. N. REPLACED BY DRAWING NO.
		RISTOPRO SRL		
		FRAZ. BORGO TUFICO, 47 FABRIANO (AN) ITALY +39.732.043494 WWW.RISTOPRO.COM		
				mm
				FORM.A-2

ELABORATO CON SISTEMA CAD DESIGNED BY CADSTEM  
 QUOTA PRIMARIA PRIMARY DIMENSION XX  
 ANGOLI Angles 30°  
 TOLLERANZA UNLESS OTHERWISE STATED  
 QUOTE SENZA TOLLERANZA  
 >500 ±0.75  
 400-500 ±0.65  
 315-400 ±0.60  
 250-315 ±0.55  
 180-250 ±0.50  
 120-180 ±0.45  
 80-120 ±0.40  
 50-80 ±0.35  
 30-50 ±0.30  
 18-30 ±0.25  
 10-18 ±0.20  
 5-10 ±0.15  
 0-5 ±0.10  
 LUNGH. E DIAM. LENGTH AND DIAM.