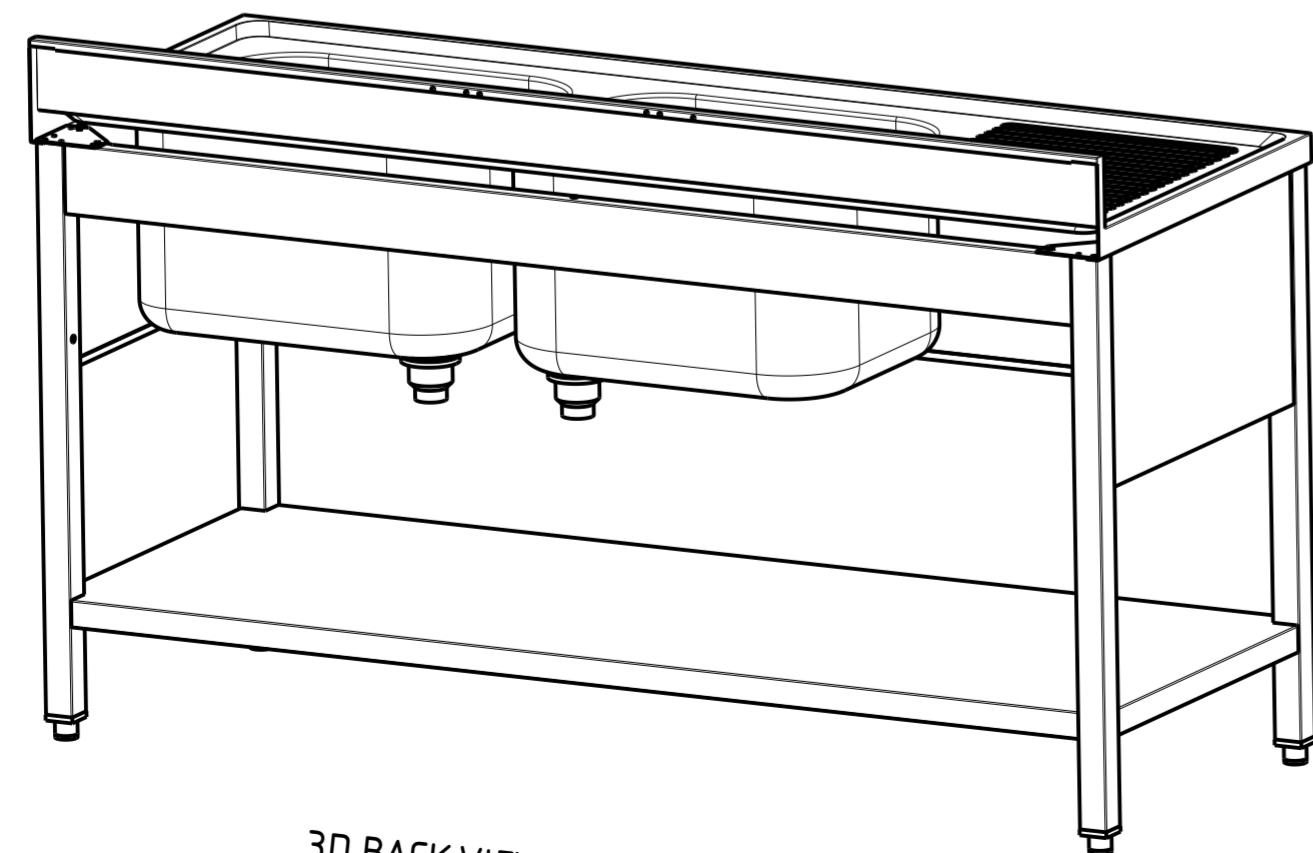
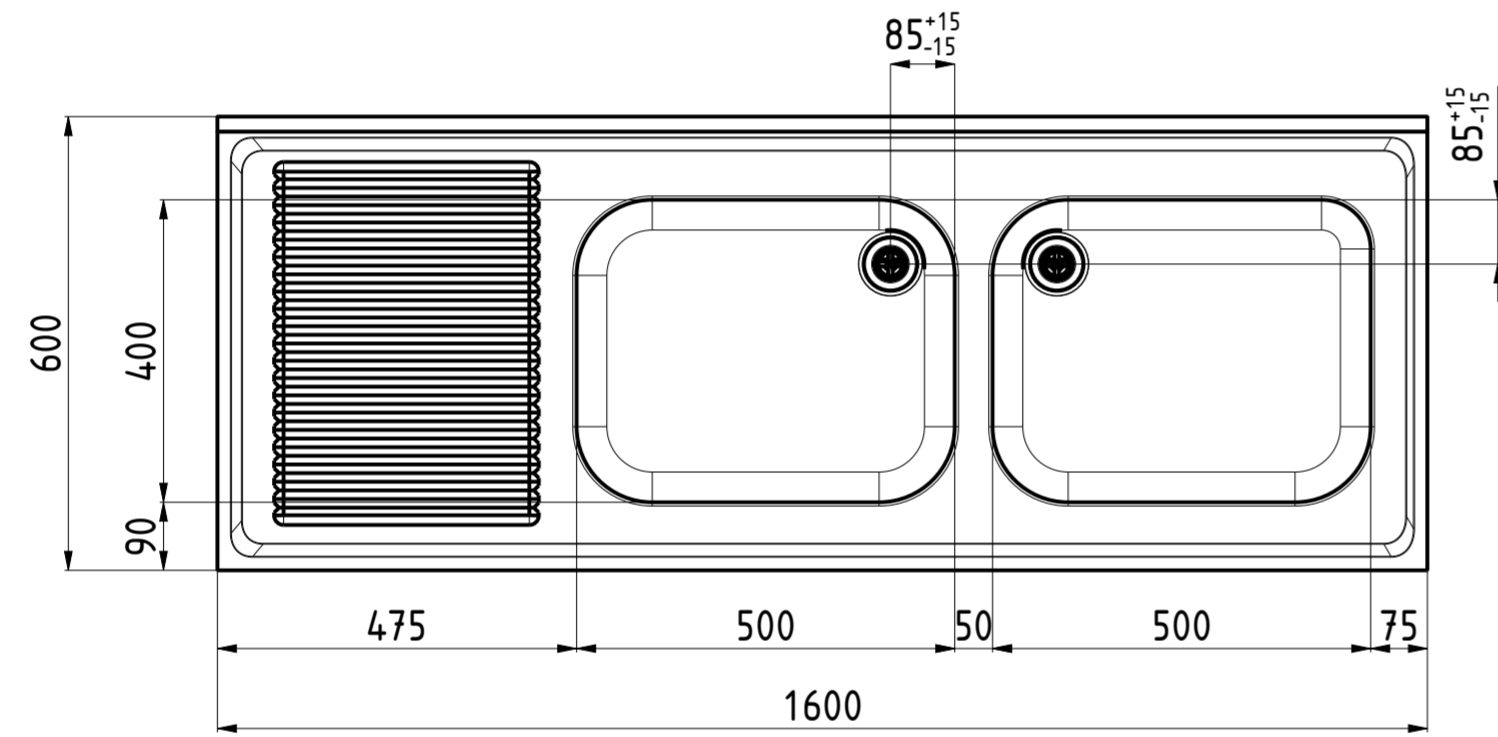
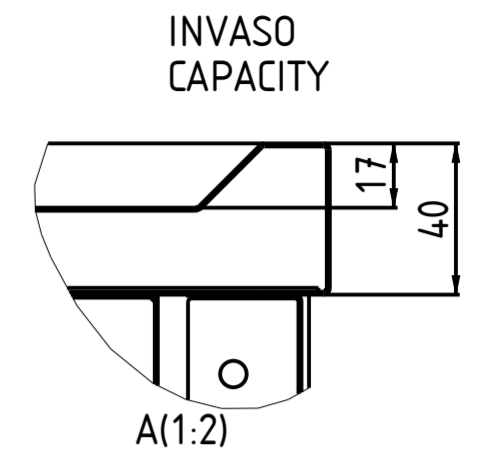
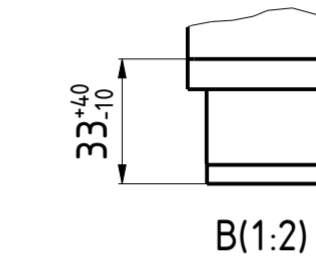
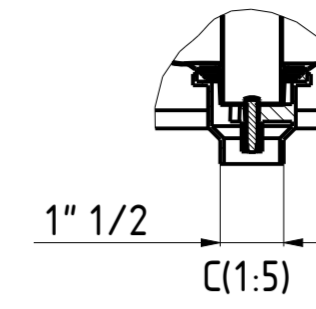
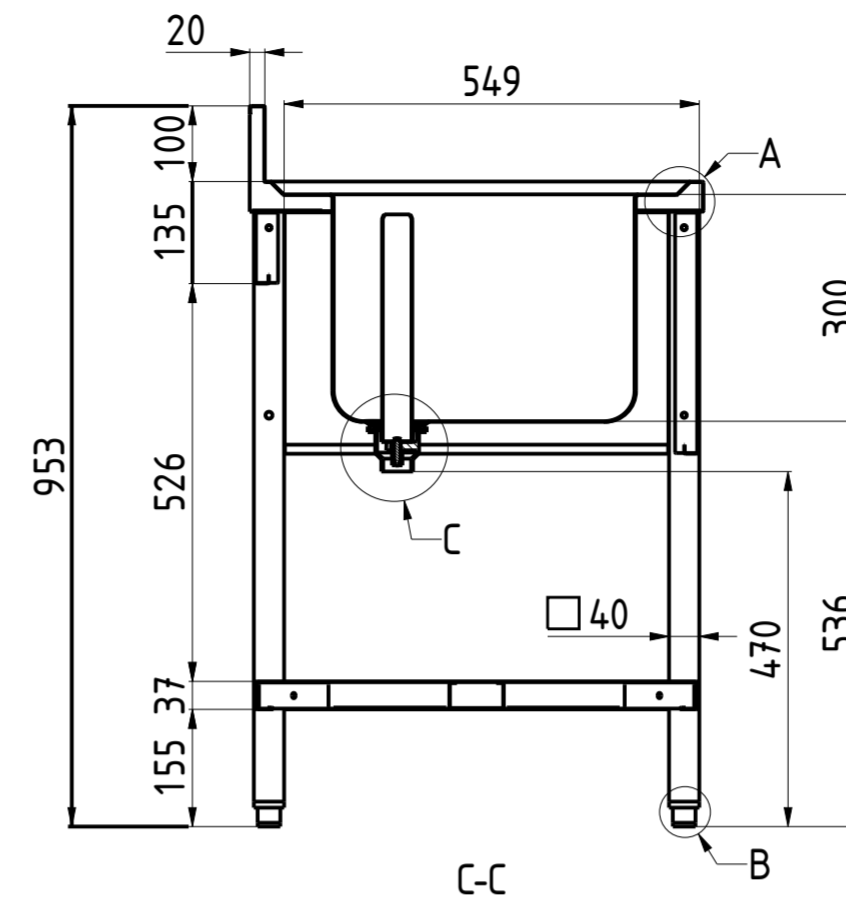
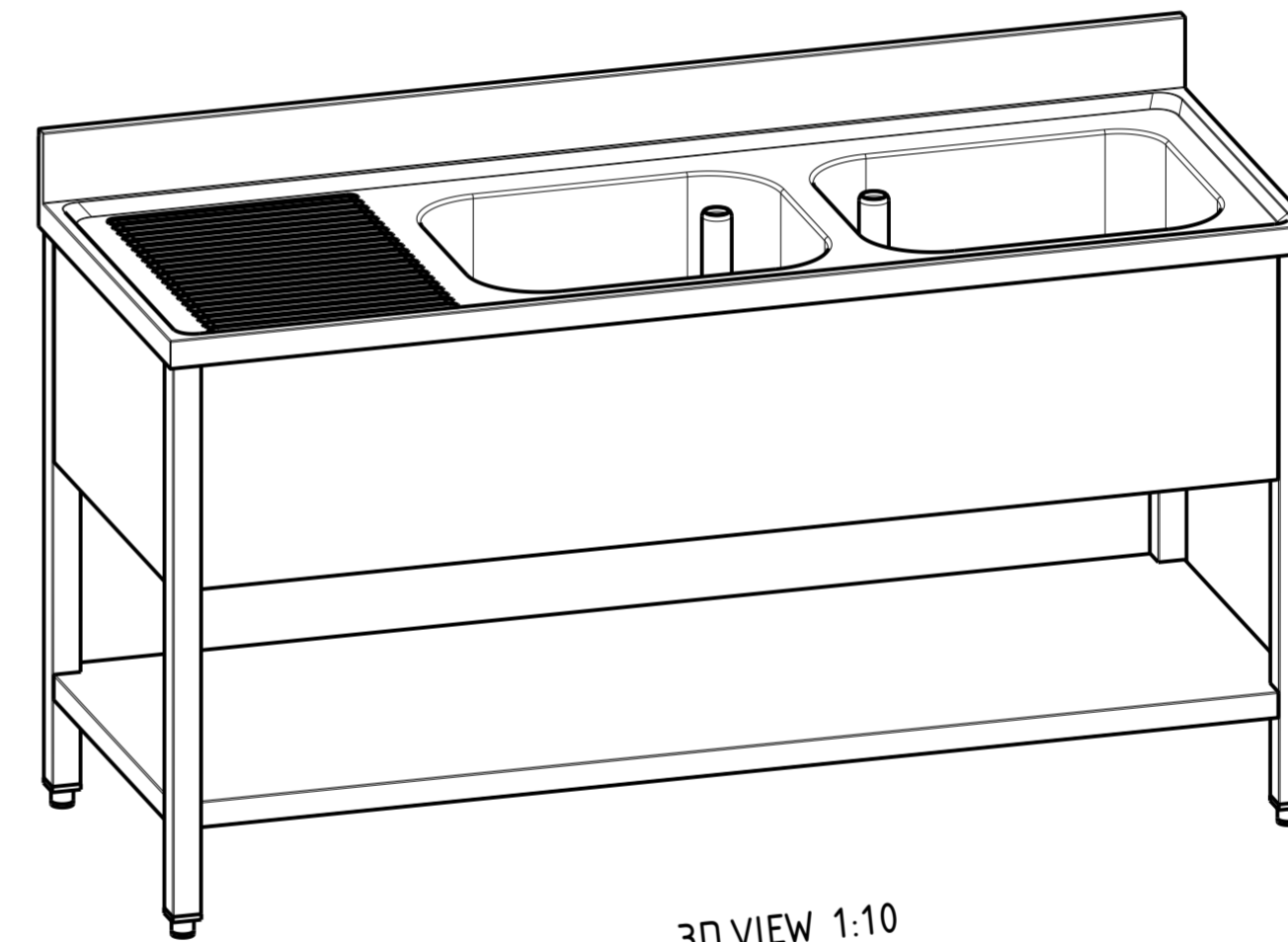


FRONT VIEW 1:10



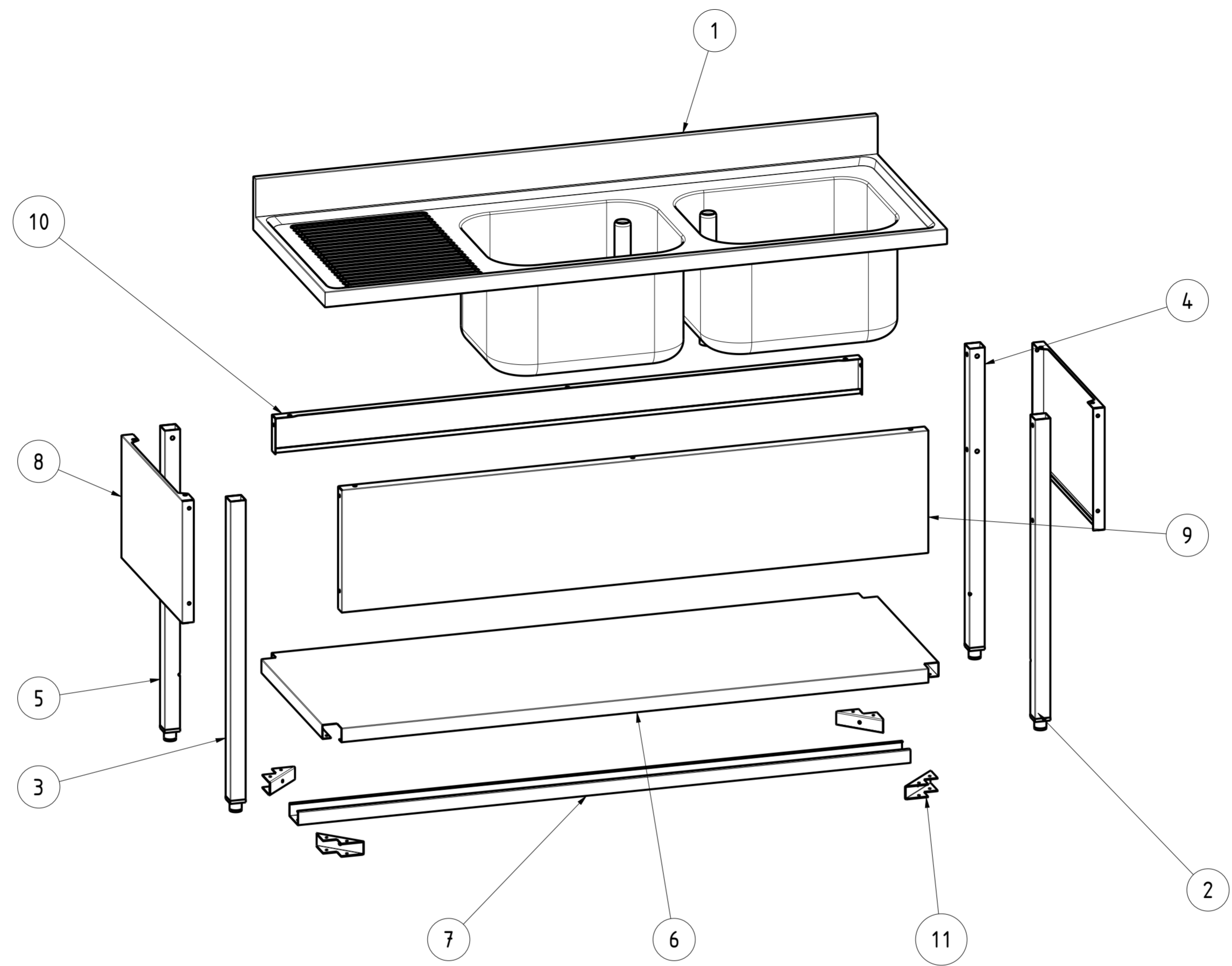
3D BACK VIEW 1:10



3D VIEW 1:10

DATA DATE	MODIF. N. MODIF. NO.	DESCRIZIONE MODIFICHE MODIFICATION DESCRIPTION	DISegnATO DRAWN BY	APPROVATO APPROVED
MODELLO MODEL	LAVATOIO 2 VASCHE GOCC SX 160x60 SINK 2 BASIN DRAINER LEFT 160x60		DISEGNO N. DRAWING NO. DSLG2VGS166T	SCALA SCALE -
PARTICOLARE DETAIL	SCHEDA TECNICA DATA SHEET		DISEGNATO DRAWN BY	DATA DATE -
MATERIALE MATERIAL	SPESS. THICK.	APPROVATO APPROVED	SHEET 2 OF 4	
FINITURA FINISH	PEZZI N. PIECES NO.	SOSTITUISCE IL DIS. N. IT REPLACES DRAWING NO.	ULTIMA EMISS. LAST EDITION	
TRATTAMENTO TREATMENT	COLORE COLOUR	SOSTITUITO DAL DIS. N. REPLACED BY DRAWING NO.		
		RISTOPRO SRL FRAZ. BORGO TUFICO, 47 FABRIANO (AN) ITALY +39.732.043494 WWW.RISTOPRO.COM		
FORM.A-2				

TOLLERANCE UNLESS OTHERWISE STATED
 QUOTE SENZA TOLLERANZA
 QUOTA PRIMARIA
 DESIGNED BY CAD/STEM
 XX
 PRIMARY DIMENSION
 ANGOLI
 Angles
 $\neq 30^\circ$
 >500
 $\pm 0,75$
 400-500
 $\pm 0,65$
 315-400
 $\pm 0,60$
 250-315
 $\pm 0,55$
 180-250
 $\pm 0,50$
 120-180
 $\pm 0,45$
 80-120
 $\pm 0,40$
 50-80
 $\pm 0,35$
 30-50
 $\pm 0,30$
 18-30
 $\pm 0,25$
 10-18
 $\pm 0,20$
 5-10
 $\pm 0,15$
 0-5
 $\pm 0,10$
 LUNGH. E DIAM.
 LENGTH AND DIAM.
 mm



11	NT1980	4	PIASTRA ANGOLO FIX PIANO FONDO	CORNER PLATE FIXING SHELF BOTTOM
10	NT411	1	PANNELLO CHIUSURA POSTER. L160	REAR CLOSURE PANEL L160
9	NT402	1	PANNELLO CHIUSURA ANTER. L160	FRONT PANEL SINK ON LEGS L160
8	NT394	2	PANNELLO CHIUSURA LATER. P60	LATERAL PANEL SINK ON SQUARE LEGS P60
7	NT274	1	RINFORZO PIANO FONDO L 160	REINFORCEMENT L160
6	NT256	1	PIANO DI FONDO 160x60	BASE SHELF 160x60
5	ASS_LEG_ACQ_SINK_PS_1R	1	ASS LEG SINK BACK LEFT	ASS LEG SINK BACK LEFT
4	ASS_LEG_ACQ_SINK_PD_1R	1	ASS LEG SINK BACK RIGHT	ASS LEG SINK BACK RIGHT
3	ASS_LEG_ACQ_SINK_AS_1R	1	ASS LEG SINK FRONT LEFT	ASS LEG SINK FRONT LEFT
2	ASS_LEG_ACQ_SINK_AD_1R	1	ASS LEG SINK FRONT RIGHT	ASS LEG SINK FRONT RIGHT
1	ASS_LAV_2VGS166	1	ASS LAVELLO 160x60 2 VASCHE 50x40 GOCC SX	SINK ASSEMBLY 160x60 2 BASIN 50x40 LEFT DRAWER
ITEM NO	PART NUMBER	QTY	DESCRIPTION	

DATA DATE	MODIF. N. MODIF. NO.	DESCRIZIONE MODIFICHE MODIFICATION DESCRIPTION	DISegnATO DRAWN BY	APPROVATO APPROVED
MODELLO MODEL		LAVATOIO 2 VASCHE GOCC SX 160x60 SINK 2 BASIN DRAINER LEFT 160x60	DISegno N. DRAWING NO. DSLG2VGS166T	SCALA SCALE -
PARTICOLARE DETAIL		ESPLOSO EXPLODED VIEW	DISegnATO DRAWN BY M.PAPI	DATA DATE -
MATERIALE MATERIAL			APPROVATO APPROVED	SHEET 3 OF 4
FINITURA FINISH			PEZZI N. PIECES NO.	ULTIMA EMISS. LAST EDITION
TRATTAMENTO TREATMENT			COLORE COLOUR	SOSTITUISCE IL DIS. N. IT REPLACES DRAWING NO.
				SOSTITUITO DAL DIS. N. REPLACED BY DRAWING NO.

RISTOPRO PROFESSIONAL CATERING EQUIPMENT
 RISTOPRO SRL
 FRAZ. BORGO TUFICO, 47 FABRIANO (AN)
 ITALY +39.732.043494
 WWW.RISTOPRO.COM

mm

ELABORATO CON SISTEMA CAD
 DESIGNED BY CAD/STEM
 QUOTA PRIMARIA
 PRIMARY DIMENSION
 XX
 ANGOLI
 Angles
 >500 ±0.75
 400-500 ±0.65
 315-400 ±0.60
 250-315 ±0.55
 180-250 ±0.50
 120-180 ±0.45
 80-120 ±0.40
 50-80 ±0.35
 30-50 ±0.30
 18-30 ±0.25
 10-18 ±0.20
 5-10 ±0.15
 0-5 ±0.10
 LUNGHEZZE E DIAM.
 LENGTH AND DIAM.
 TOLLERANZA UNLESS OTHERWISE STATED
 QUOTE SENZA TOLLERANZA
 DIMENSIONS WITHOUT TOLERANCES
 FORM.A-2