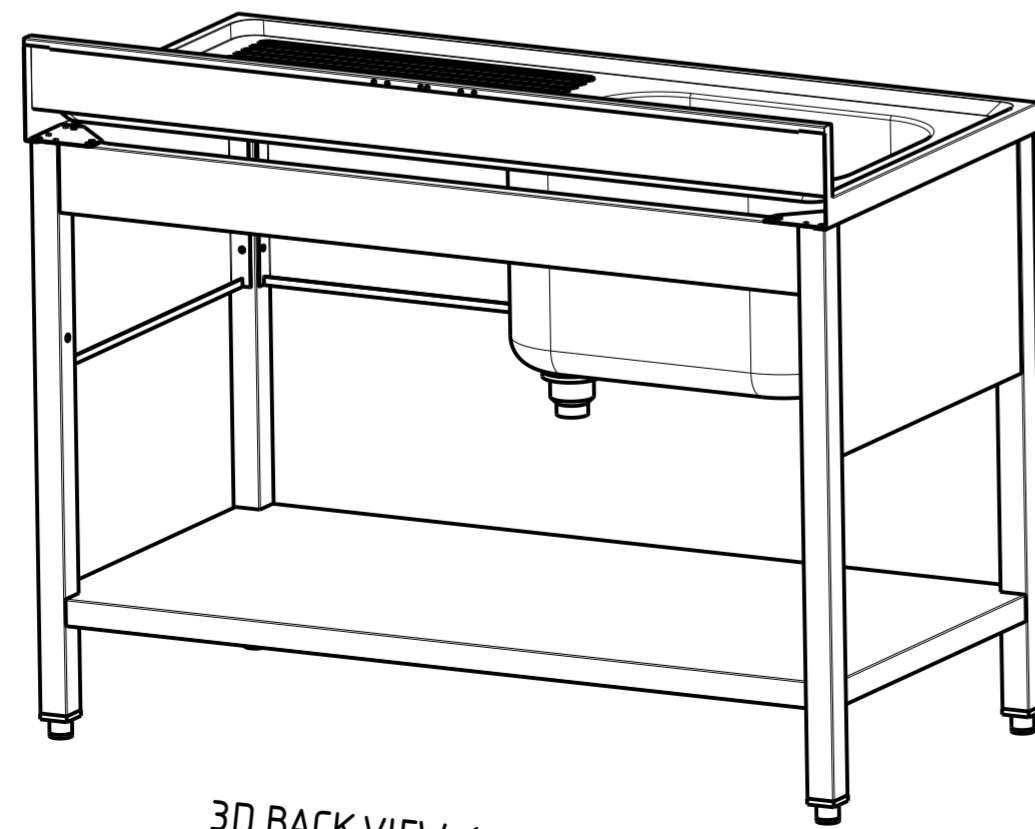
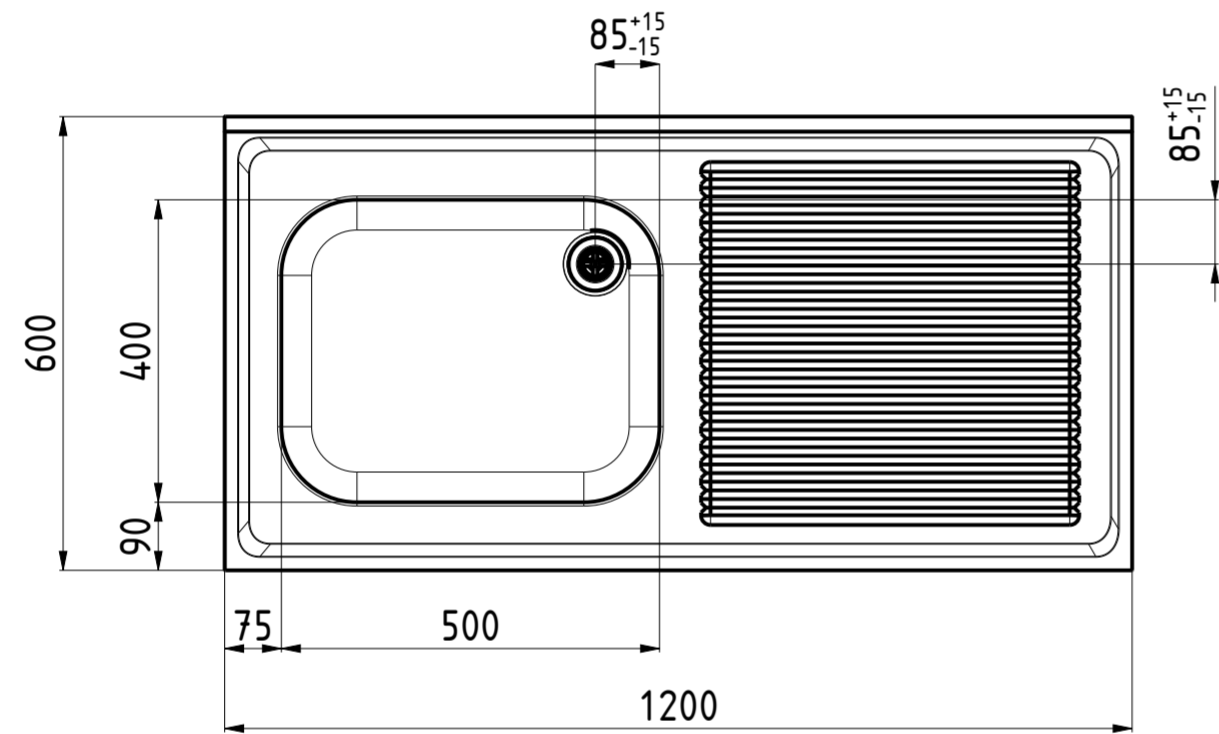
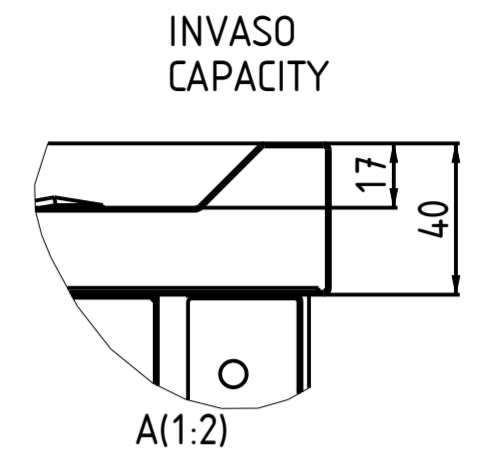
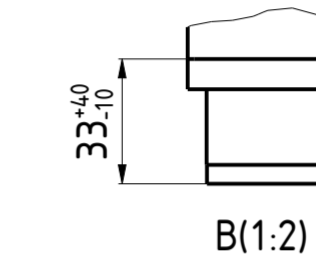
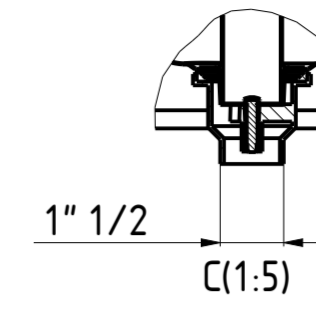
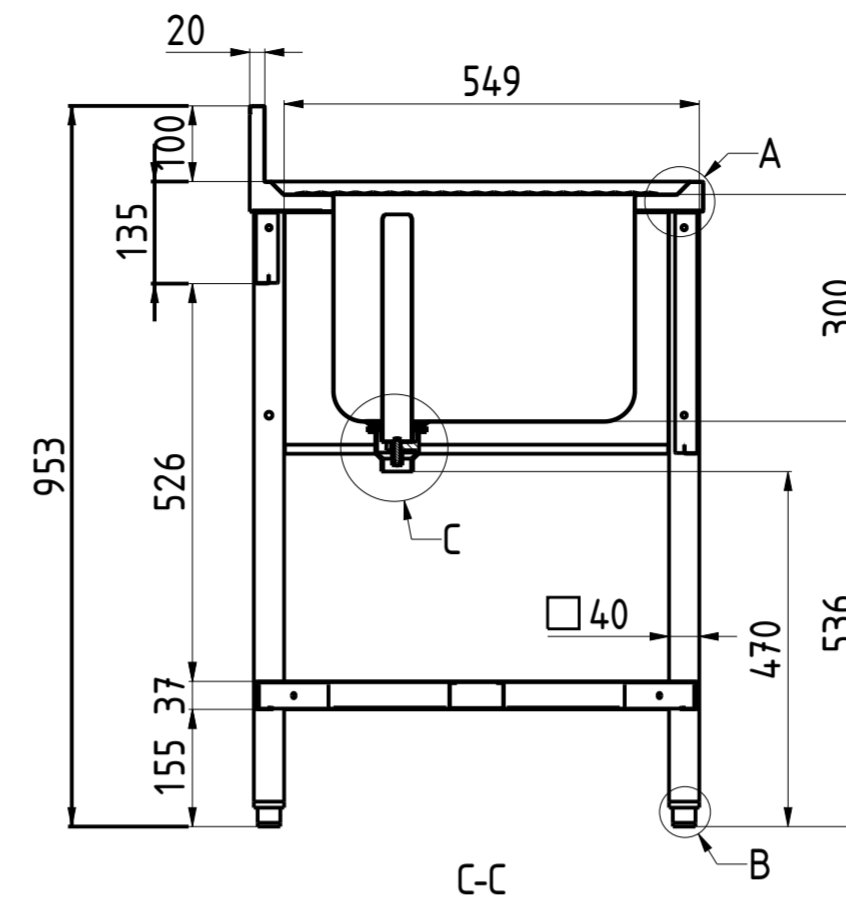
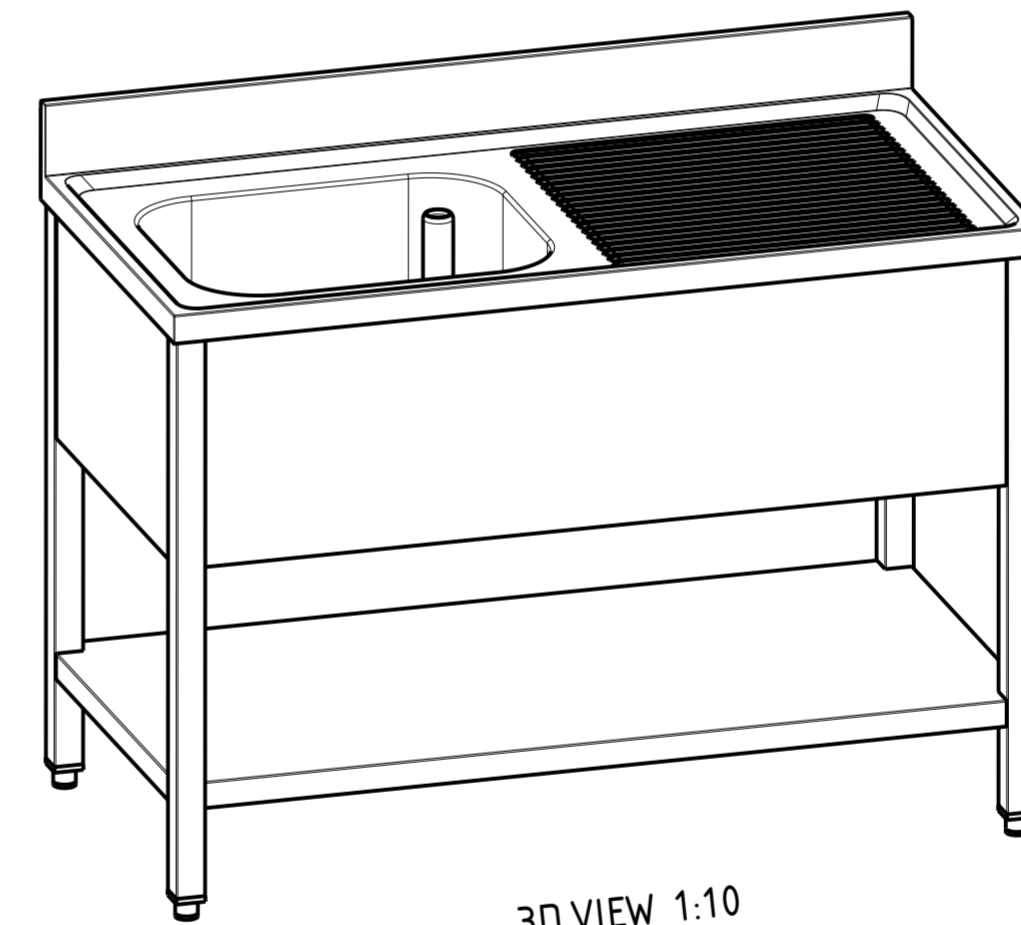


FRONT VIEW 1:10



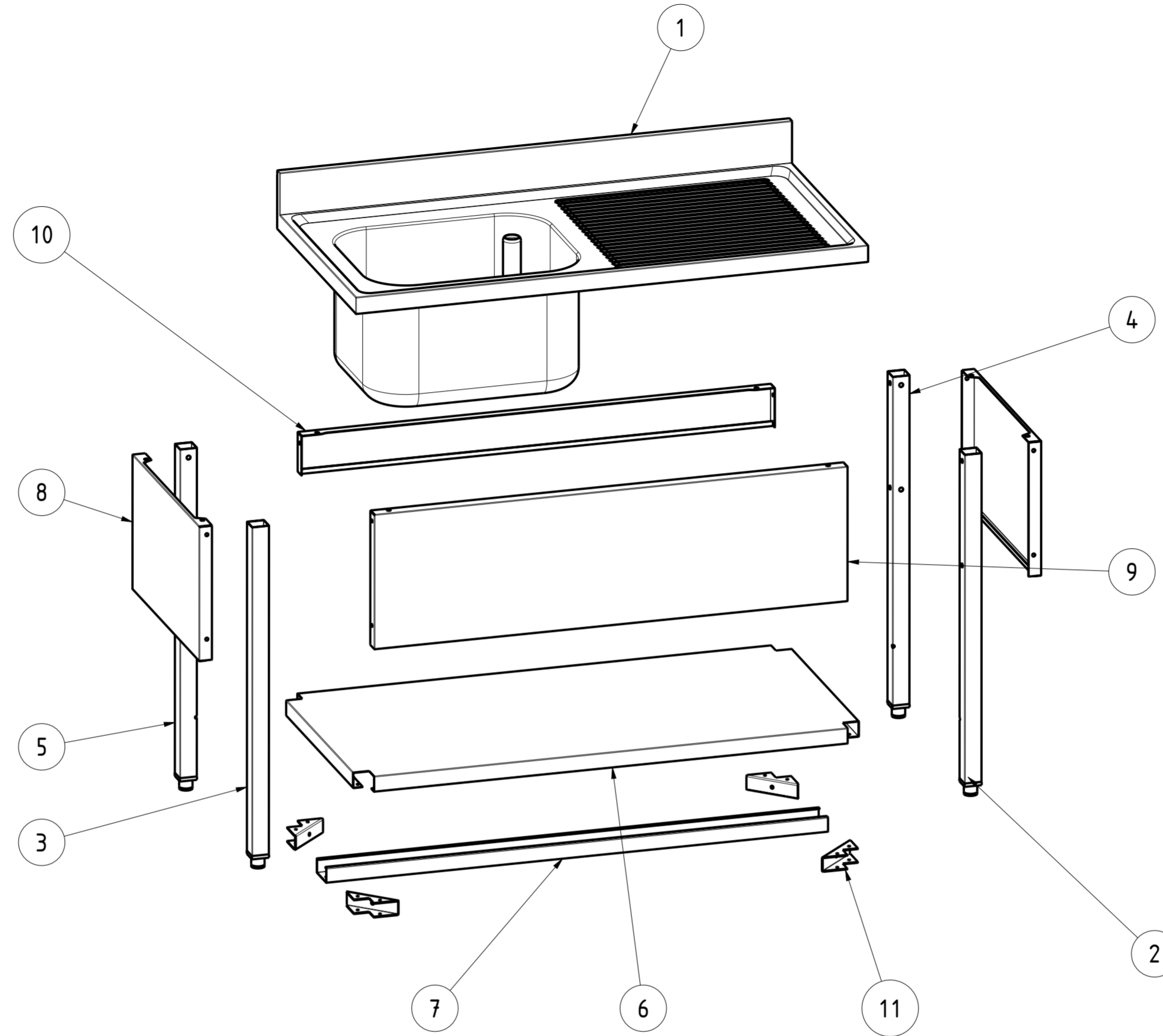
3D BACK VIEW 1:10



3D VIEW 1:10

| DATA DATE | MODIF. N. MODIF. NO. | DESCRIZIONE MODIFICHE MODIFICATION DESCRIPTION | DISegnATO DRAWN BY | APPROVATO APPROVED |
|-----------------------|---|--|----------------------------|--------------------|
| | | | | |
| MODELLO MODEL | LAVATOIO 1 VASCA GOCC DX 120x60 SINK 1 BASIN RIGHT DRAINER 120x60 | | DISegNO N. DRAWING NO. | SCALA SCALE |
| | | | DSL61VGD126T | - |
| PARTICOLARE DETAIL | SCHEDA TECNICA DATA SHEET | | DISegNATO DRAWN BY | DATA DATE |
| | | | | |
| MATERIALE MATERIAL | SPESS. THICK. | APPROVATO APPROVED | SHEET 2 OF 4 | |
| FINITURA FINISH | PEZZI N. PIECES NO. | SOSTITUISCE IL DIS. N. IT REPLACES DRAWING NO. | ULTIMA EMISS. LAST EDITION | |
| TRATTAMENTO TREATMENT | COLORE COLOUR | SOSTITUITO DAL DIS. N. REPLACED BY DRAWING NO. | | |
| | | RISTOPRO SRL FRAZ. BORGO TUFICO, 47 FABRIANO (AN) ITALY +39.732.043494 WWW.RISTOPRO.COM | | |

TOLLERANCE UNLESS OTHERWISE STATED
 QUOTE SENZA TOLLERANZA
 QUOTA PRIMARIA DESIGNED BY CAD/STEM
 QUOTA PRIMARIA PRIMARY DIMENSION
 ANGOLI Angles 30°
 >500 ±0.75
 400-500 ±0.65
 315-400 ±0.60
 250-315 ±0.55
 180-250 ±0.50
 120-180 ±0.45
 80-120 ±0.40
 50-80 ±0.35
 30-50 ±0.30
 18-30 ±0.25
 10-18 ±0.20
 5-10 ±0.15
 0-5 ±0.10
 LUNGH. E DIAM. LENGTH AND DIAM.
 FORM.A-2



| | | | | |
|---------|------------------------|-----|--|---|
| 11 | NT1980 | 4 | PIASTRA ANGOLO FIX PIANO FONDO | CORNER PLATE FIXING SHELF BOTTOM |
| 10 | NT408 | 1 | PANNELLO CHIUSURA POSTER. L120 | REAR CLOSURE PANEL L120 |
| 9 | NT399 | 1 | PANNELLO CHIUSURA ANTER. L120 | FRONT PANEL SINK ON LEGS L120 |
| 8 | NT394 | 2 | PANNELLO CHIUSURA LATER. P60 | LATERAL PANEL SINK ON SQUARE LEGS P60 |
| 7 | NT271 | 1 | RINFORZO PIANO FONDO L 120 | REINFORCEMENT L120 |
| 6 | NT253 | 1 | PIANO DI FONDO 120x60 | BASE SHELF 120x60 |
| 5 | ASS_LEG_ACQ_SINK_PS_1R | 1 | ASS LEG SINK BACK LEFT | ASS LEG SINK BACK LEFT |
| 4 | ASS_LEG_ACQ_SINK_PD_1R | 1 | ASS LEG SINK BACK RIGHT | ASS LEG SINK BACK RIGHT |
| 3 | ASS_LEG_ACQ_SINK_AS_1R | 1 | ASS LEG SINK FRONT LEFT | ASS LEG SINK FRONT LEFT |
| 2 | ASS_LEG_ACQ_SINK_AD_1R | 1 | ASS LEG SINK FRONT RIGHT | ASS LEG SINK FRONT RIGHT |
| 1 | ASS_LAV_1VGD126 | 1 | ASS LAVELLO 120x60 1 VASCA 50x40 GOCC DX | SINK ASSEMBLY 120x60 1 BASIN 50x40 RIGHT DRAWER |
| ITEM NO | PART NUMBER | QTY | DESCRIPTION | |

| DATA DATE | MODIF. N. MODIF. NO. | DESCRIZIONE MODIFICHE MODIFICATION DESCRIPTION | DISegnATO DRAWN BY | APPROVATO APPROVED |
|--|----------------------|--|-------------------------------------|--|
| | | | | |
| MODELLO MODEL | | LAVATOIO 1 VASCA GOCC DX 120x60 SINK 1 BASIN RIGHT DRAINER 120x60 | DISegno N. DRAWING NO. DSLG1VGD126T | SCALA SCALE - |
| PARTICOLARE DETAIL | | ESPLOSO EXPLODED VIEW | DISegnATO DRAWN BY M.PAPI | DATA DATE - |
| MATERIALE MATERIAL | | | SPES.S. THICK. | APPROVATO APPROVED |
| FINITURA FINISH | | | PEZZI N. PIECES NO. | SOSTITUISCE IL DIS. N. IT REPLACES DRAWING NO. |
| TRATTAMENTO TREATMENT | | | COLORE COLOUR | SOSTITUITO DAL DIS. N. REPLACED BY DRAWING NO. |
| | | | SHEET 3 OF 4 | |
| | | | ULTIMA EMISS. LAST EDITION | |
| RISTOPRO PROFESSIONAL CATERING EQUIPMENT | | RISTOPRO SRL FRAZ. BORGO TUFICO, 47 FABRIANO (AN) ITALY +39.732.043494 WWW.RISTOPRO.COM | | mm |

ELABORATO CON SISTEMA CAD
DESIGNED BY CADSTEM

QUOTA PRIMARIA
PRIMARY DIMENSION
XX

ANGOLI
Angles
30°

>500 ±0.75
400-500 ±0.65
315-400 ±0.60
250-315 ±0.55
180-250 ±0.50
120-180 ±0.45
80-120 ±0.40
50-80 ±0.35
30-50 ±0.30

TOLLERANCE UNLESS OTHERWISE STATED

QUOTE SENZA TOLLERANZA

5-10 ±0.15
10-18 ±0.20
18-30 ±0.25

0-5 ±0.10

LUNGH. E DIAM. LENGTH AND DIAM.