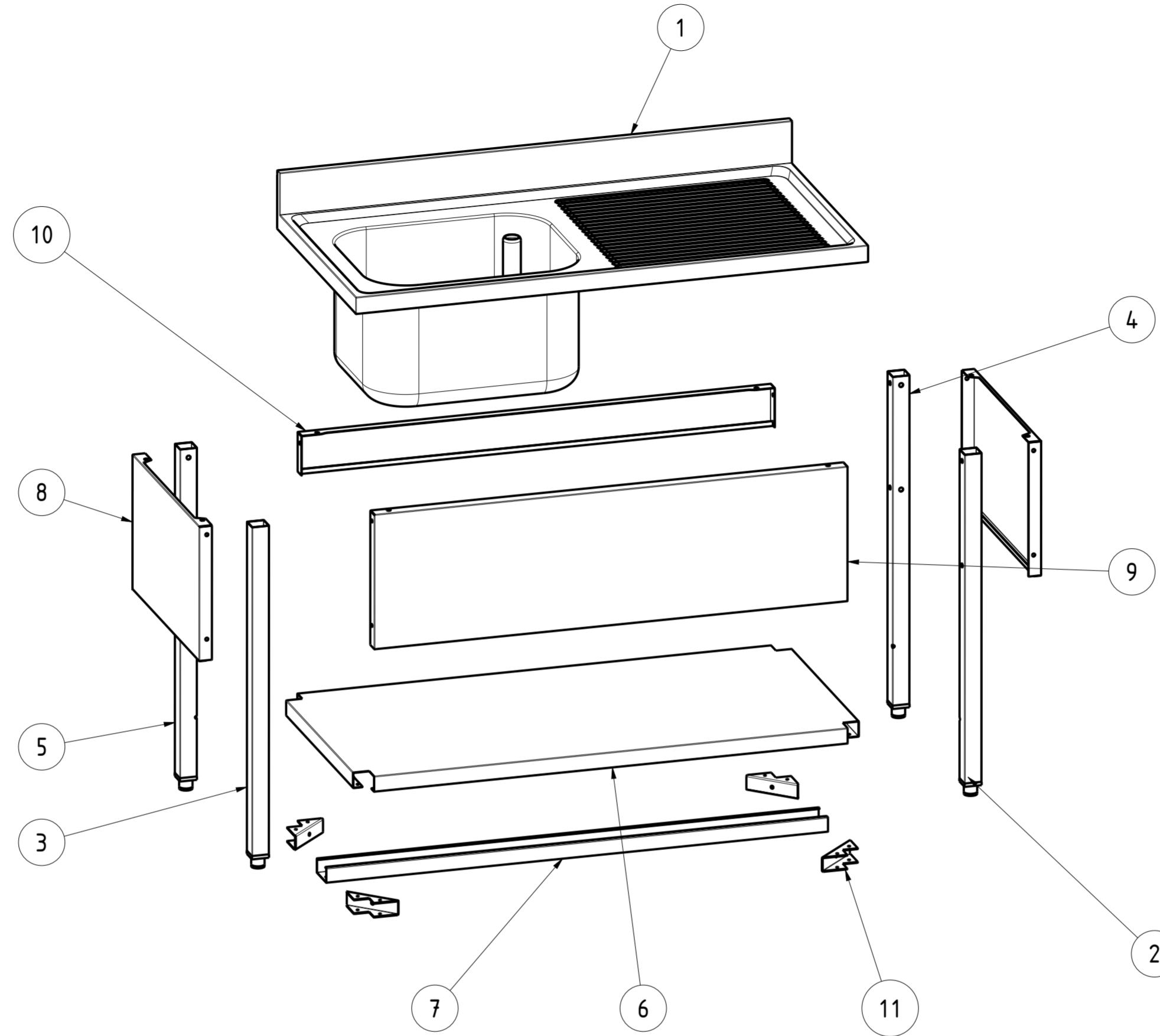


# EXPLOSIONSZEICHNUNG



KBS Gastrotechnik GmbH – Schoßbergstraße 26 – 65201 Wiesbaden



11	NT1980	4	PIASTRA ANGOLO FIX PIANO FONDO	CORNER PLATE FIXING SHELF BOTTOM
10	NT408	1	PANNELLO CHIUSURA POSTER. L120	REAR CLOSURE PANEL L120
9	NT399	1	PANNELLO CHIUSURA ANTER. L120	FRONT PANEL SINK ON LEGS L120
8	NT394	2	PANNELLO CHIUSURA LATER. P60	LATERAL PANEL SINK ON SQUARE LEGS P60
7	NT271	1	RINFORZO PIANO FONDO L 120	REINFORCEMENT L120
6	NT253	1	PIANO DI FONDO 120x60	BASE SHELF 120x60
5	ASS_LEG_ACQ_SINK_PS_1R	1	ASS LEG SINK BACK LEFT	ASS LEG SINK BACK LEFT
4	ASS_LEG_ACQ_SINK_PD_1R	1	ASS LEG SINK BACK RIGHT	ASS LEG SINK BACK RIGHT
3	ASS_LEG_ACQ_SINK_AS_1R	1	ASS LEG SINK FRONT LEFT	ASS LEG SINK FRONT LEFT
2	ASS_LEG_ACQ_SINK_AD_1R	1	ASS LEG SINK FRONT RIGHT	ASS LEG SINK FRONT RIGHT
1	ASS_LAV_1VGD126	1	ASS LAVELLO 120x60 1 VASCA 50x40 GOCC DX	SINK ASSEMBLY 120x60 1 BASIN 50x40 RIGHT DRAWER
ITEM NO	PART NUMBER	QTY	DESCRIPTION	

DATA DATE	MODIF. N. MODIF. NO.	DESCRIZIONE MODIFICHE MODIFICATION DESCRIPTION	DISegnATO DRAWN BY	APPROVATO APPROVED
MODELLO MODEL		LAVATOIO 1 VASCA GOCC DX 120x60 SINK 1 BASIN RIGHT DRAINER 120x60	DISegno N. DRAWING NO. DSLG1VGD126T	SCALA SCALE -
PARTICOLARE DETAIL		ESPLOSO EXPLODED VIEW	DISegnATO DRAWN BY M.PAPI	DATA DATE -
MATERIALE MATERIAL			APPROVATO APPROVED	SHEET 3 OF 4
FINITURA FINISH			PEZZI N. PIECES NO.	ULTIMA EMISS. LAST EDITION
TRATTAMENTO TREATMENT			COLORE COLOUR	SOSTITUISCE IL DIS. N. IT REPLACES DRAWING NO.
				SOSTITUITO DAL DIS. N. REPLACED BY DRAWING NO.
		RISTOPRO SRL		
		FRAZ. BORGO TUFICO, 47 FABRIANO (AN) ITALY +39.732.043494 WWW.RISTOPRO.COM		
				mm
				FORM.A-2

ELABORATO CON SISTEMA CAD  
DESIGNED BY CAD\$TEM

QUOTA PRIMARIA  
PRIMARY DIMENSION  
XX

ANGOLI  
Angles  
30°

TOLLERANZA UNLESS OTHERWISE STATED	>500	400-500	315-400	250-315	180-250	120-180	80-120	50-80	30-50	10-30	0-5
	±0.75	±0.65	±0.60	±0.55	±0.50	±0.45	±0.40	±0.35	±0.30	±0.25	±0.15

QUOTE SENZA TOLLERANZA  
DIMENSIONS WITHOUT TOLERANCES  
LUNGH. E DIAM.  
LENGTH AND DIAM.  
mm