

# SCHALTPLAN



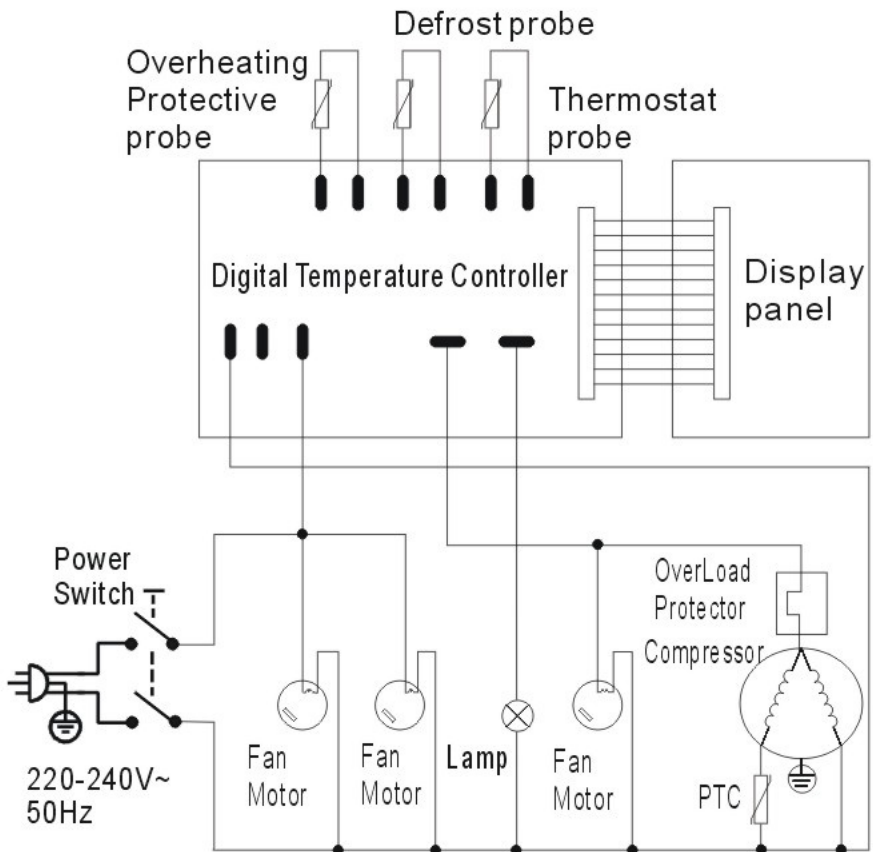
KBS Gastrotechnik GmbH – Schoßbergstraße 26 – 65201 Wiesbaden

# Refrigerator

Model: QUAD	Refrigerant&Injection(g):R290&90
Product code: 9160454	Type of Climate: 4
General Rated Input Power(W): 495	Protected Mode: I
Refrigeration Temperature(°C): 0-12	Storage Volume(L):400
Rated Current(A):2.8	Rated Voltage(V~): 220-240
Net Weight(kg): 161	Rated Frequency(Hz): 50
Overall Dimension(mm):650x650x1908	Lamp power (W):1.5*4(LED)
Foaming agent: Cyclopentane	

Produce Date & Code: 1516905200037...40

Circuit Diagram



KBS Gastrotechnik GmbH,  
Schossbergstr.26,65201 Wiesbaden