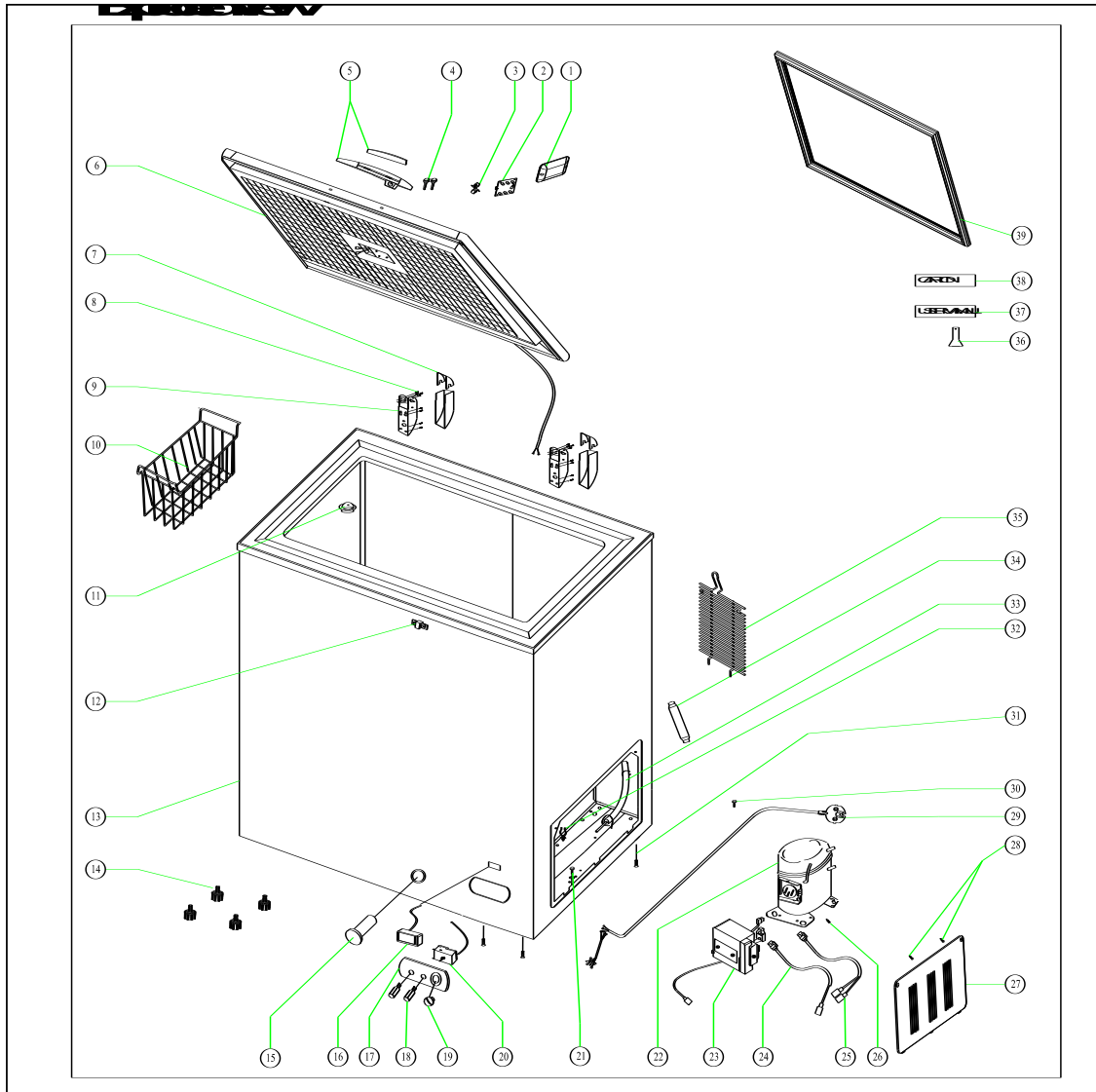


# EXPLOSIONSZEICHNUNG



KBS Gastrotechnik GmbH – Schoßbergstraße 26 – 65201 Wiesbaden



## Parts List of KBS 27 CNS

No.	Parts Code	Parts Name	QTY.
1	102010513	Lampshade	1
2	106020118	LED light	1
3	102010227	separation column	3
4	101090014	key	2
5	102010118	Handle with lock	1
6	61402150171	Door	1
7	102010173	Hinge Cover	2
8	105020034	Screw	12
9	101060033	Hinge	2
10	101070010	Basket	2
11	102010155	Drain stopper	1

12	101090080	latch hook	1
13	60203500120	Box shell.	1
14	101090032	Adjustable feet	4
15	102010146	Drain plug	1
16	106030014	thermograph	1
17	106020010	indicator light	2
18	102010039	Thermostat knob	1
19	102010011	Control panel	1
20	106030281	Thermostat	1
21	105020012	Screw	3
22	106040797	Compressor (including accessories)	1
23	106040797-1	Controller	1
24	106010865	Controller signal line	1
25	106010936	Controller Power line	1
26	106040797-2	Screw	1
27	60601050001	Grille	1
28	105020077	Screw	3
29	106010685	Power cord	1
30	105020001	Screw	1
31	105020023	Screw	6
32	102010179	Snap Bushing	1
33	105010013	Insulation pipe	1
34	101080042	Filter drier	1
35	101070257	Back grill	1
36	102010128	Defrost shovel	1
37	104020900	Use manual	1
38	104013353	Carton	1
39	102020011	Seal	1