

SCHALTPLAN



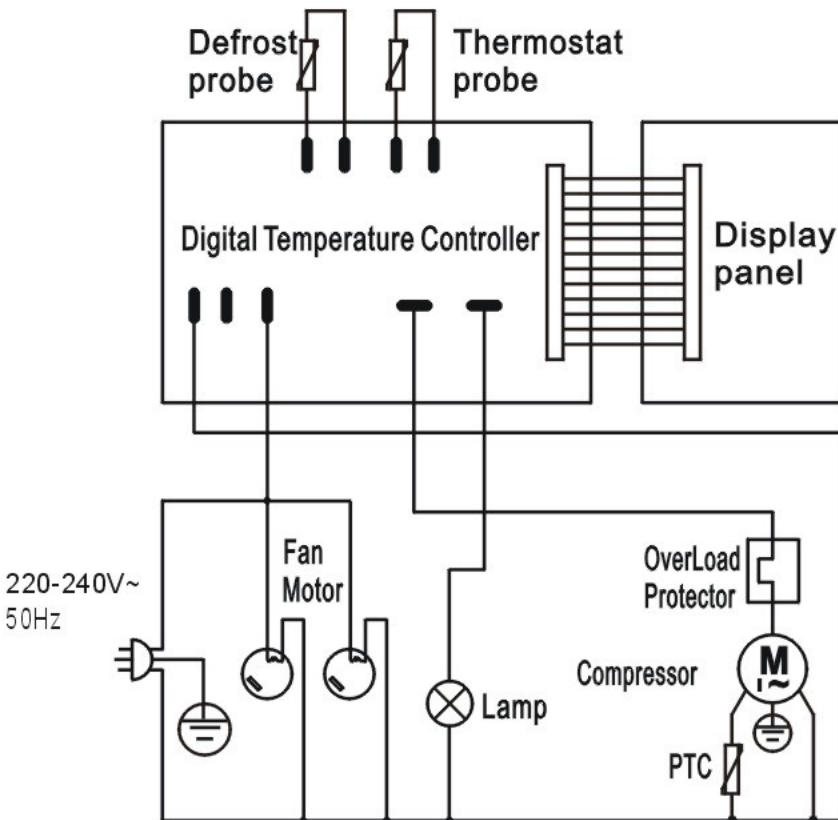
KBS Gastrotechnik GmbH – Schoßbergstraße 26 – 65201 Wiesbaden

REFRIGERATOR

Model: ASV900	Refrigerant&Injection(g): R600a(65)
Product code: 9150190	Type of Climate: 4
General Rated Input Power(W): 160	Protected Mode: I
Refrigeration Temperature(°C): 0-12	Rated Voltage(V~): 220-240
Storage Volume(L): 160	Rated Frequency(Hz): 50
Net Weight(kg): 66	Rated Current (A): 1.4
Overall Dimension(mm): 880x568x686	Lamp Power(W): 2.5(LED)

Produce Date & Code: 1372307050178...189

Circuit Diagram



KBS Gastrotechnik GmbH,
Schossbergstr.26,65201 Wiesbaden