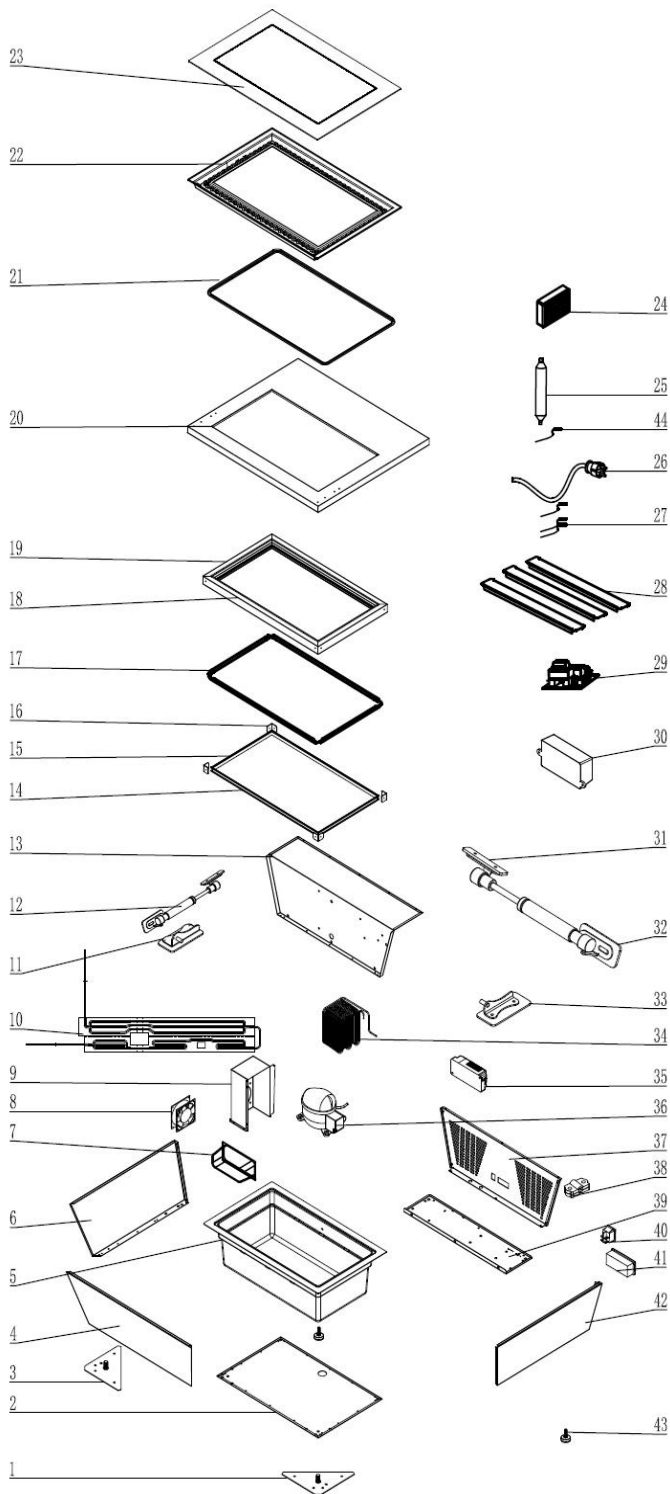


# EXPLOSIONSZEICHNUNG



KBS Gastrotechnik GmbH – Schoßbergstraße 26 – 65201 Wiesbaden



44	2.3.03.841	High temperature sensor	1
43	2.5.0.14.018	Adjustable pin	4
42	3.4.4.10.009	Outer box right side plate	1
41	2.3.04.031	New display	1
40	2.3.06.009	Switch	1
39	3.4.4.10.010	Compressor base plate	1
38	2.5.0.06.015	Wire clamp cover	1
	2.5.0.06.016	Wire clamp	1
37	3.4.4.10.011	Ventilated sash	1
36	2.1.008	Compressor	1
35	2.3.07.207	Power driver	1
34	2.2.2.122	Condensator	1
33	3.4.4.10.012	Door seat reinforcement plate	2
32	3.4.4.10.013	Lower cyllinder fixed reinforcing plate	2
31	3.4.4.10.014	The upper cyllinder fixed reinforcing plate	2
30	2.5.0.05.008	Thermostat box	1
	2.5.0.05.015	Thermostat box panel	1
29	2.3.03.136	Small motherboard	1
28	3.4.0.11.023	Copies of the number of disk support	3
27	2.3.03.836	Tube temperature sensor	1
	2.3.03.811	Room temperature sensor	2
26	2.3.01.071	Semi-finished power cord	1
25	2.2.6.001	Dryer filter	1
24	3.4.4.10.016	Sensor shield	1
23	3.6.1.04.072	Door glass	1
22	2.5.2.14.004	Doorjamb	1
21	2.5.2.14.008	Door seal	1
20	3.4.4.10.015	Housing top plate	1
19	2.5.4.10.001	Top cover left and right card sstrip	2
18	2.5.4.10.002	Frount and rear tabs of top cover	2
17	2.3.05.5.135	Constant pressure patch led light-6500K	2
16	3.4.4.10.001	Frame corner	4
15	2.5.4.10.003	Lamp cover plate	2
14	2.5.4.10.004	Lamp front and rear panel	2
13	3.4.4.10.017	Foam backstop	1
12	2.4.0.10.513	Gas strut	2
11	3.4.4.10.003	Glass left seat assembly	1
	3.4.4.10.018	Glass right seat assembly	1
10	2.2.1.196	Blowout evaporator	1
9	3.4.4.10.004	Condenser hood	1
8	2.3.02.065	Fan motor	1
7	2.4.0.06.045	Stainless steel share plate	4
6	3.4.4.10.005	Outer box left panel	1
5	2.5.2.14.002	Evaporator liner	1
4	3.4.4.10.006	Front side panel of outer box	1
3	3.4.4.10.019	Foot right fixing plate	1
2	3.4.4.10.007	Foaming base plate	1
1	3.4.4.10.008	Foot left fixing plate	1