

SCHALTPLAN



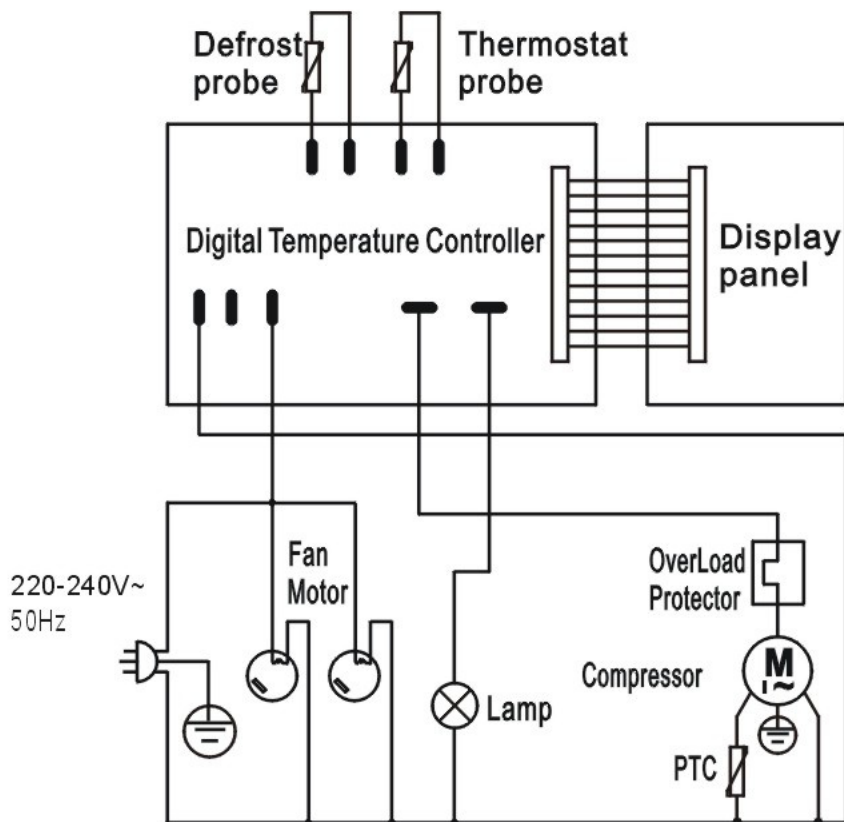
KBS Gastrotechnik GmbH – Schoßbergstraße 26 – 65201 Wiesbaden

REFRIGERATOR

| | |
|-------------------------------------|-------------------------------------|
| Model: ASV700 | Refrigerant&Injection(g): R600a(50) |
| Product code: 9150170 | Type of Climate: 4 |
| General Rated Input Power(W): 160 | Protected Mode: I |
| Refrigeration Temperature(°C): 0-12 | Rated Voltage(V~): 220-240 |
| Storage Volume(L): 120 | Rated Frequency(Hz): 50 |
| Net Weight(kg): 57 | Rated Current (A): 1.4 |
| Overall Dimension(mm): 702x568x686 | Lamp Power(W): 2(LED) |
| | |

Produce Date & Code: 1372307050001...18

Circuit Diagram



KBS Gastrotechnik GmbH,
Schossbergstr.26,65201 Wiesbaden