

SCHALTPLAN



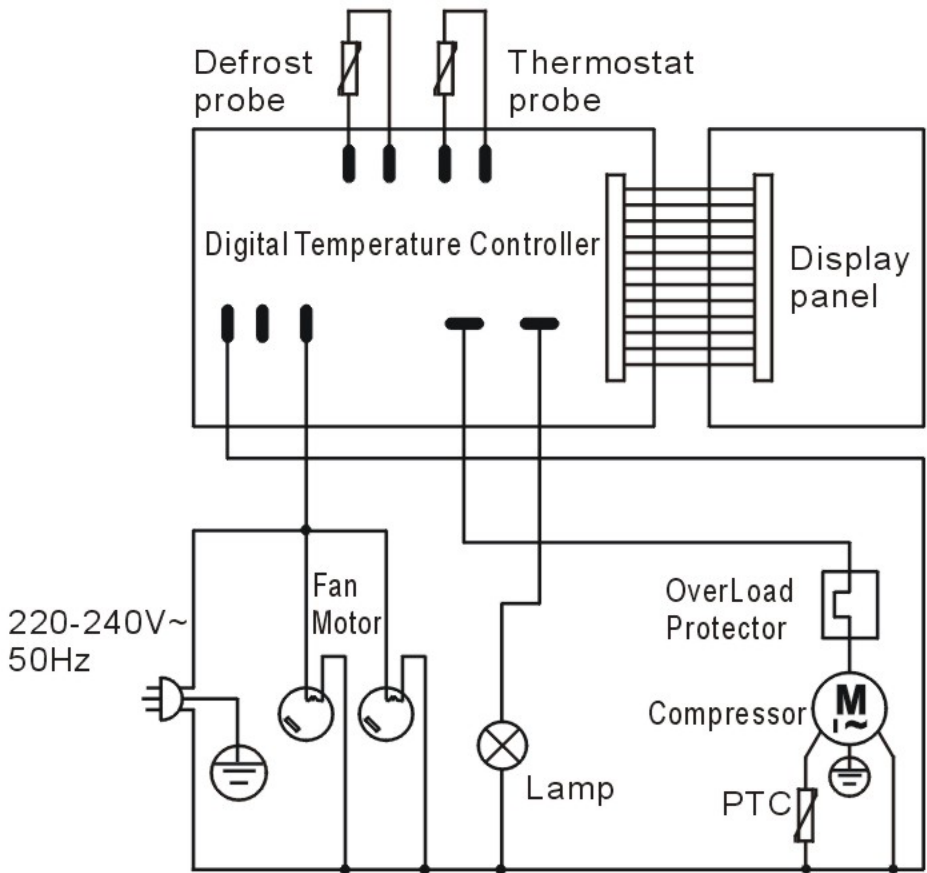
KBS Gastrotechnik GmbH – Schoßbergstraße 26 – 65201 Wiesbaden

REFRIGERATOR

Model:VKV 170 Aufsatzkühlvitrine	Refrigerant&Injection(g):R600a(65)
Product code: 9150168	Type of Climate:4
General Rated Input Power(W): 195	Protected Mode: I
Storage Volume(L):160	Rated Voltage(V~): 220-240
Net Weight(kg): 66	Rated Frequency(Hz): 50
Overall Dimension(mm): 880x568x686	Rated Current (A):1.4
	Lamp Power(W): 2.5(LED)

Produce Date &Code: 1372307050119...128

Circuit Diagram



KBS Gastrotechnik GmbH,
Schossbergstr.26,65201 Wiesbaden