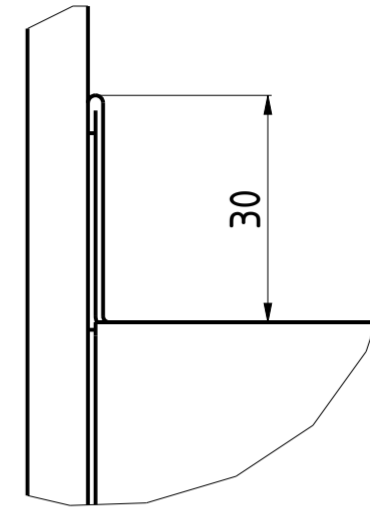
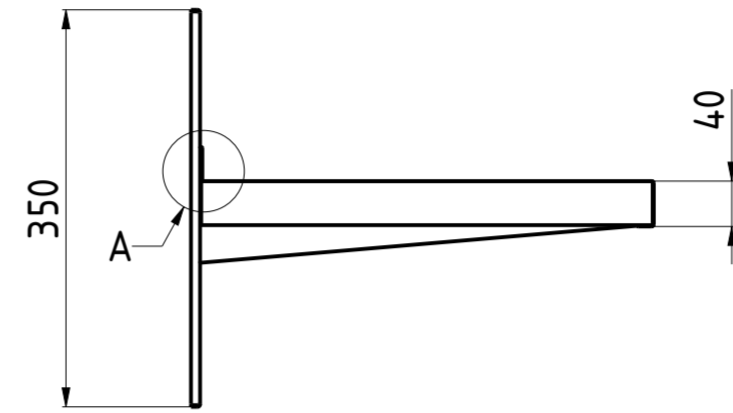
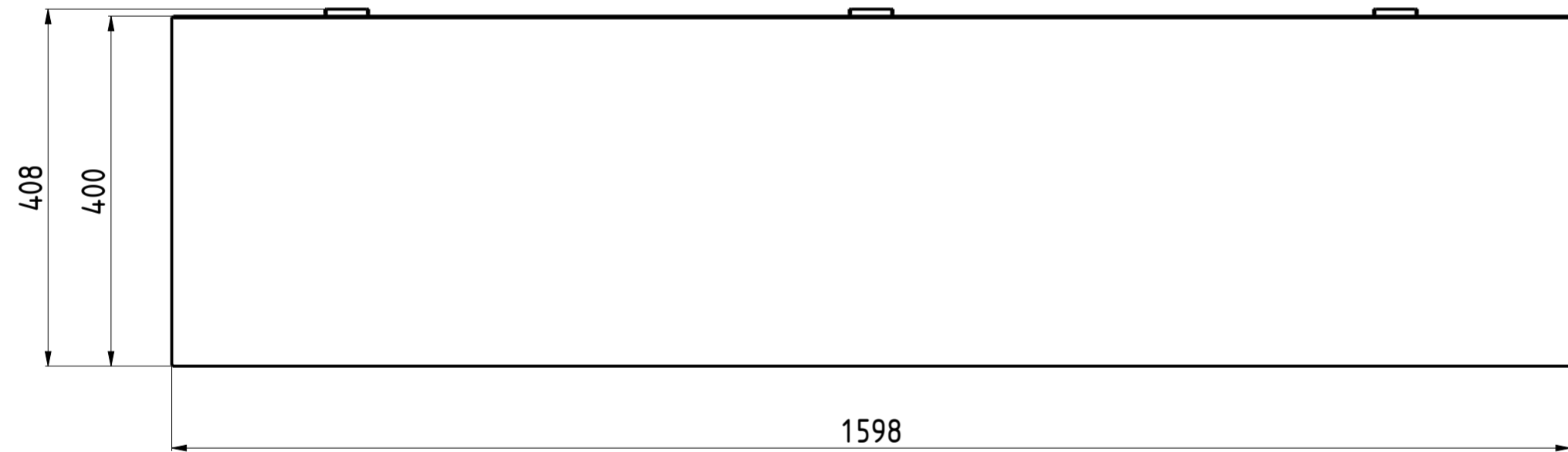
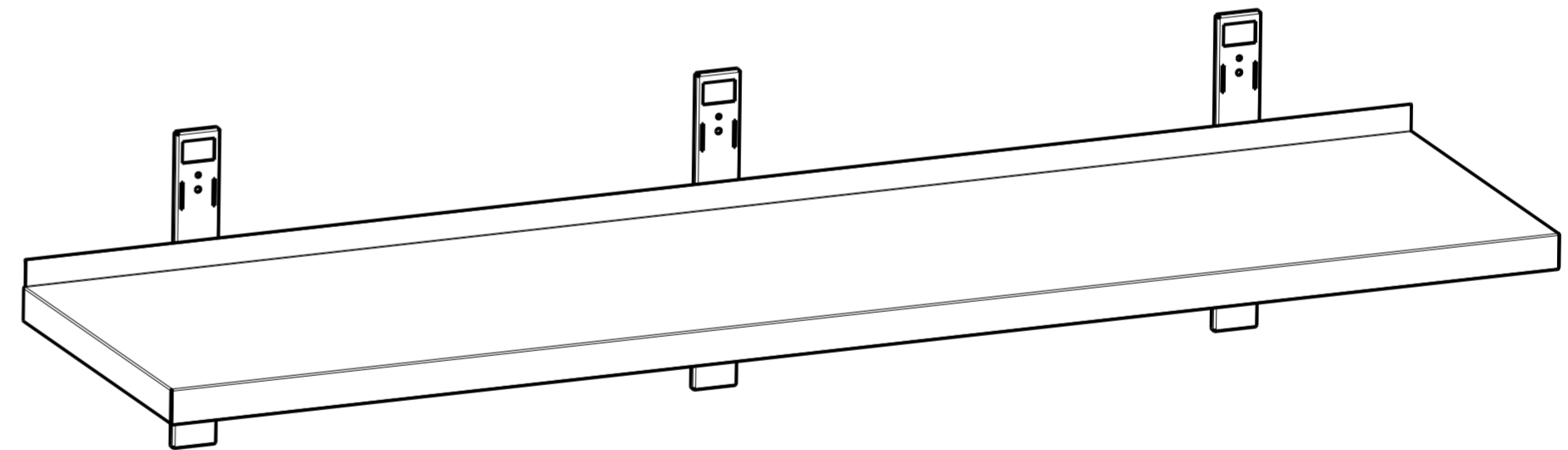


FRONT VIEW 3:20



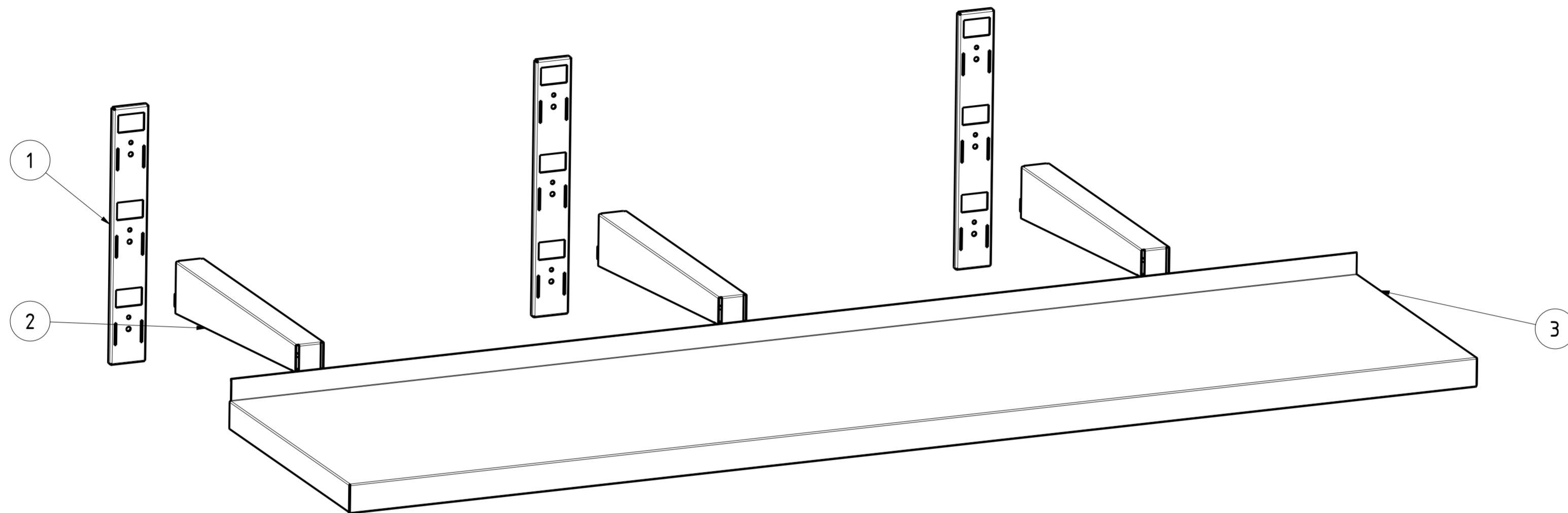
A(1:1)



3D VIEW 3:20

DATA DATE	MODIF. N. MODIF. NO.	DESCRIZIONE MODIFICHE MODIFICATION DESCRIPTION	DISegnATO DRAWN BY	APPROVATO APPROVED
MODELLO MODEL	MENSOLA L160 P40 SHELFL140 P40		DISegno N. DRAWING NO.	SCALA SCALE
PARTICOLARE DETAIL	SCHEDA TECNICA DATA SHEET		DISegnATO DRAWN BY	DATA DATE
MATERIALE MATERIAL	SPESS. THICK.		APPROVATO APPROVED	SHEET 1 OF 2
FINITURA FINISH	PEZZI N. PIECES NO.	SOSTITUISCE IL DIS. N. IT REPLACES DRAWING NO.	ULTIMA EMISS. LAST EDITION	
TRATTAMENTO TREATMENT	COLORE COLOUR	SOSTITUITO DAL DIS. N. REPLACED BY DRAWING NO.		
		RISTOPRO SRL FRAZ. BORGO TUFICO, 47 FABRIANO (AN) ITALY +39.732.043494 WWW.RISTOPRO.COM		 mm

ELABORATO CON SISTEMA CAD  
 DESIGNED BY CAD\$TEM  
 QUOTA PRIMARIA  
 PRIMARY DIMENSION  
 XX  
 ANGOLI  
 Angles  
 >500 ±0.75  
 400-500 ±0.65  
 315-400 ±0.60  
 250-315 ±0.55  
 180-250 ±0.50  
 120-180 ±0.45  
 80-120 ±0.40  
 50-80 ±0.35  
 30-50 ±0.30  
 18-30 ±0.25  
 10-18 ±0.20  
 5-10 ±0.15  
 0-5 ±0.10  
 LUNGH. E DIAM.  
 LENGTH AND DIAM.  
 TOLLERANCE UNLESS OTHERWISE STATED  
 QUOTE SENZA TOLLERANZA  
 FORM.A-2



ITEM NO	PART NUMBER	QTY	DESCRIPTION
3	ME022	1	RIPIANO MENSOLO P40 L160 SHELF P40 L160
2	ME008	3	SUPPORTO PER MENSOLE P40 H40 SUPPORT FOR SHELVES P40 H40
1	ME001	3	SUPPORTO A PARETE PER MENSOLE H35 WALL BRACKET FOR SHELVES H35

DATA DATE	MODIF. N. MODIF. NO.	DESCRIZIONE MODIFICHE MODIFICATION DESCRIPTION	DISegnato DRAWN BY	APPROVATO APPROVED
MODELLO MODEL		MENSOLA L160 P40 SHELF L140 P40	DISegno N. DRAWING NO.	SCALA SCALE
PARTICOLARE DETAIL		SCHEDA TECNICA DATA SHEET	DISegnato DRAWN BY	DATA DATE
MATERIALE MATERIAL		SPESS. THICK.	APPROVATO APPROVED	SHEET 2 OF 2
FINITURA FINISH		PEZZI N. PIECES NO.	SOSTITUISCE IL DIS. N. IT REPLACES DRAWING NO.	
TRATTAMENTO TREATMENT		COLORE COLOUR	SOSTITUITO DAL DIS. N. REPLACED BY DRAWING NO.	
		RISTOPRO SRL FRAZ. BORGO TUFICO, 47 FABRIANO (AN) ITALY +39.732.043494 WWW.RISTOPRO.COM		 mm

ELABORATO CON SISTEMA CAD  
 DESIGNED BY CAD/STEM  
 QUOTA PRIMARIA  
 PRIMARY DIMENSION  
 XX  
 ANGOLI  
 Angles  
 >30°  
 >500  
 <math>\pm 0,75</math>  
 400-500  
 <math>\pm 0,65</math>  
 315-400  
 <math>\pm 0,60</math>  
 250-315  
 <math>\pm 0,55</math>  
 180-250  
 <math>\pm 0,50</math>  
 120-180  
 <math>\pm 0,45</math>  
 80-120  
 <math>\pm 0,40</math>  
 50-80  
 <math>\pm 0,35</math>  
 30-50  
 <math>\pm 0,30</math>  
 18-30  
 <math>\pm 0,25</math>  
 10-18  
 <math>\pm 0,20</math>  
 5-10  
 <math>\pm 0,15</math>  
 0-5  
 <math>\pm 0,10</math>  
 LUNGH. E DIAM.  
 LENGTH AND DIAM.  
 FORM.A-2