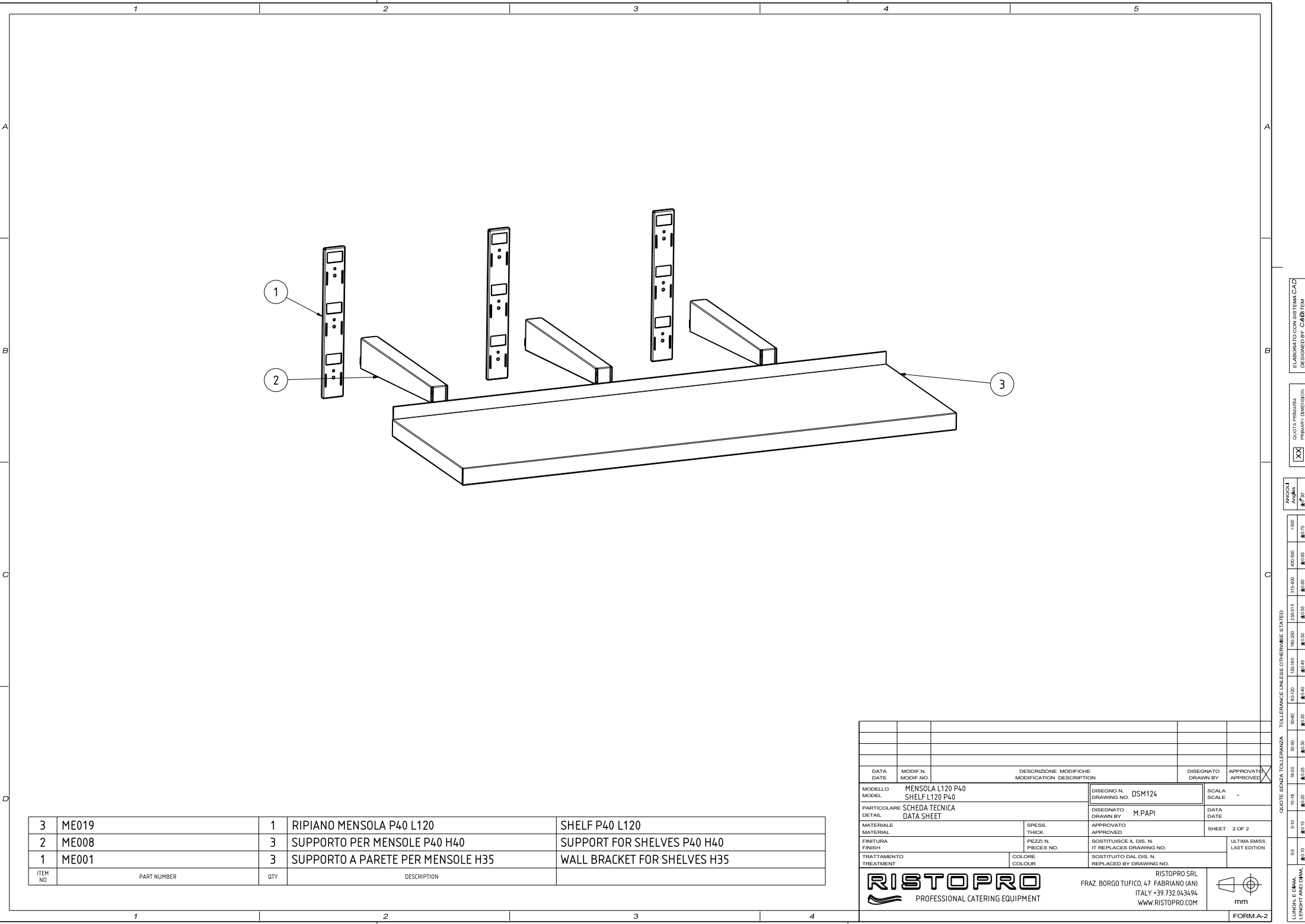


EXPLOSIONSZEICHNUNG



KBS Gastrotechnik GmbH – Schoßbergstraße 26 – 65201 Wiesbaden



3	ME019	1	RIPIANO MENSOLE P40 L120	SHELF P40 L120
2	ME008	3	SUPPORTO PER MENSOLE P40 H40	SUPPORT FOR SHELVES P40 H40
1	ME001	3	SUPPORTO A PARETE PER MENSOLE H35	WALL BRACKET FOR SHELVES H35
ITEM NO	PART NUMBER	QTY	DESCRIPTION	

DATA DATE	MODIF. N. MODIF. NO.	DESCRIZIONE MODIFICHE MODIFICATION DESCRIPTION	DISEGNATO DRAWN BY	APPROVATO APPROVED
MODELLO MODEL	MENSOLA L120 P40 SHELF L120 P40		DISEGNO N. DRAWING NO.	DSM124
PARTICOLARE DETAIL	SCHEDA TECNICA DATA SHEET		DISEGNATO DRAWN BY	M.PAPI
MATERIALE MATERIAL	SPESS. THICK.	APPROVATO APPROVED	SHEET 2 OF 2	
FINITURA FINISH	PEZZI N. PIECES NO.	SOSTITUISCE IL DIS. N. IT REPLACES DRAWING NO.	ULTIMA EMISS. LAST EDITION	
TRATTAMENTO TREATMENT	COLORE COLOUR	SOSTITUITO DAL DIS. N. REPLACED BY DRAWING NO.		

RISTOPRO
 PROFESSIONAL CATERING EQUIPMENT
 FRAZ. BORGO TUFICO, 47 FABRIANO (AN)
 ITALY +39 732 043494
 WWW.RISTOPRO.COM

RISTOPRO SRL
 FRAZ. BORGO TUFICO, 47 FABRIANO (AN)
 ITALY +39 732 043494
 WWW.RISTOPRO.COM

mm
 FORM.A-2

ELABORATO CON SISTEMA CAD
 DESIGNED BY CAD/ITEM
 QUOTA PRIMARIA
 PRIMARY DIMENSION

 ANSOLO
 Angles

 TOLLERANZA UNLESS OTHERWISE STATED
 TOLERANCE
 0.5
 0.5
 1.0
 1.5
 2.0
 2.5
 3.0
 3.0
 4.0
 5.0
 5.0
 6.0
 6.0
 7.0
 7.0
 8.0
 8.0
 9.0
 9.0
 10.0
 10.0
 12.0
 12.0
 15.0
 15.0
 20.0
 20.0
 25.0
 25.0
 30.0
 30.0
 40.0
 40.0
 50.0
 50.0
 60.0
 60.0
 70.0
 70.0
 80.0
 80.0
 100.0
 100.0
 120.0
 120.0
 150.0
 150.0
 200.0
 200.0
 250.0
 250.0
 315.0
 315.0
 400.0
 400.0
 500.0
 500.0
 630.0
 630.0
 800.0
 800.0
 1000.0
 1000.0