

3D VIEW 3:20

DATA DATE	MODIF. N. MODIF. NO.	DESCRIZIONE MODIFICHE MODIFICATION DESCRIPTION	DISegnATO DRAWN BY	APPROVATO APPROVED
MODELLO MODEL	MENSOLA L100 P40 SHELF L100 P40		DISegNO N. DRAWING NO. DSM104	SCALA SCALE -
PARTICOLARE DETAIL	SCHEDA TECNICA DATA SHEET		DISegNATO DRAWN BY M.PAPI	DATA DATE
MATERIALE MATERIAL		SPess. THICK.	APPROVATO APPROVED	SHEET 1 OF 2
FINITURA FINISH		PEZZI N. PIECES NO.	SOSTITUISCE IL DIS. N. IT REPLACES DRAWING NO.	ULTIMA EMISS. LAST EDITION
TRATTAMENTO TREATMENT		COLORE COLOUR	SOSTITUITO DAL DIS. N. REPLACED BY DRAWING NO.	
		RISTOPRO SRL FRAZ. BORGO TUFICO, 47 FABRIANO (AN) ITALY +39.732.043494 WWW.RISTOPRO.COM		 mm

QUOTE SENZA TOLLERANZA TOLERANCE UNLESS OTHERWISE STATED
 QUOTA PRIMARIA PRIMARY DIMENSION XX
 ANGOLI Angles 30°
 LUNGH. E DIAM. LENGTH AND DIAM.
 0-5 ±0.10
 5-10 ±0.15
 10-18 ±0.20
 18-30 ±0.25
 30-50 ±0.30
 50-80 ±0.35
 80-120 ±0.40
 120-180 ±0.45
 180-250 ±0.50
 250-315 ±0.55
 315-400 ±0.60
 400-500 ±0.65
 >500 ±0.75

1 2 3 4 5

A

B

C

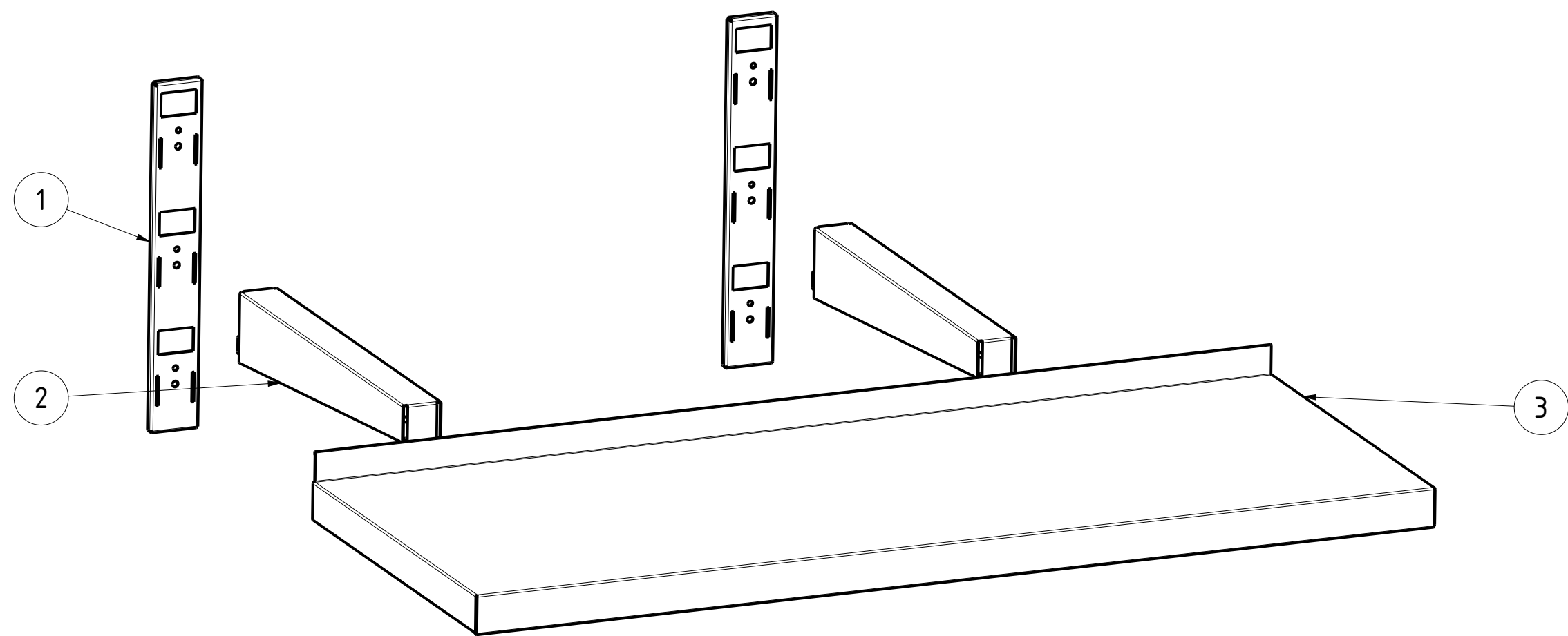
D

A

B

C

D



ITEM NO	PART NUMBER	QTY	DESCRIPTION
3	ME018	1	RIPIANO MENSOLO P40 L100 SHELF P40 L100
2	ME008	2	SUPPORTO PER MENSOLE P40 H40 SUPPORT FOR SHELVES P40 H40
1	ME001	2	SUPPORTO A PARETE PER MENSOLE H35 WALL BRACKET FOR SHELVES H35

DATA DATE	MODIF. N. MODIF. NO.	DESCRIZIONE MODIFICHE MODIFICATION DESCRIPTION	DISegnATO DRAWN BY	APPROVATO APPROVED
MODELLO MODEL		MENSOLA L100 P40 SHELF L100 P40	DISegno N. DRAWING NO. DSM104	SCALA SCALE -
PARTICOLARE DETAIL		SCHEDA TECNICA DATA SHEET	DISegnATO DRAWN BY M.PAPI	DATA DATE
MATERIALE MATERIAL		SPESS. THICK.	APPROVATO APPROVED	SHEET 2 OF 2
FINITURA FINISH		PEZZI N. PIECES NO.	SOSTITUISCE IL DIS. N. IT REPLACES DRAWING NO.	ULTIMA EMISS. LAST EDITION
TRATTAMENTO TREATMENT		COLORE COLOUR	SOSTITUITO DAL DIS. N. REPLACED BY DRAWING NO.	
		RISTOPRO SRL FRAZ. BORGO TUFICO, 47 FABRIANO (AN) ITALY +39.732.043494 WWW.RISTOPRO.COM		
				mm
				FORM.A-2

ELABORATO CON SISTEMA CAD DESIGNED BY CADSTEM
 QUOTA PRIMARIA PRIMARY DIMENSION XX
 ANGOLI Angles 30°
 TOLLERANZA UNLESS OTHERWISE STATED
 QUOTE SENZA TOLLERANZA
 >500 ±0.75
 400-500 ±0.65
 315-400 ±0.60
 250-315 ±0.55
 180-250 ±0.50
 120-180 ±0.45
 80-120 ±0.40
 50-80 ±0.35
 30-50 ±0.30
 18-30 ±0.25
 10-18 ±0.20
 5-10 ±0.15
 0-5 ±0.10
 LUNGH. E DIAM. LENGTH AND DIAM.