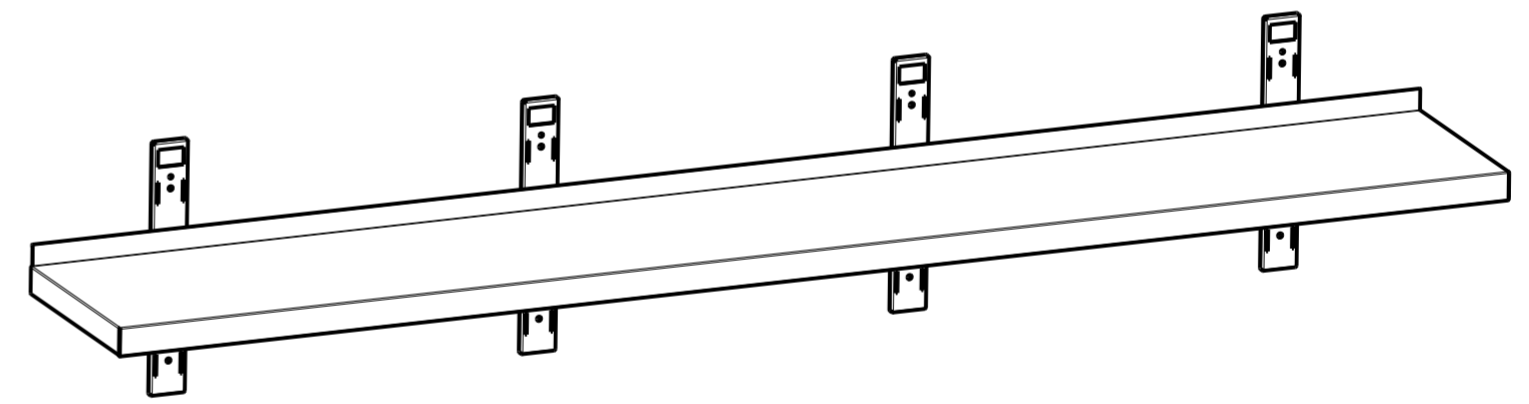
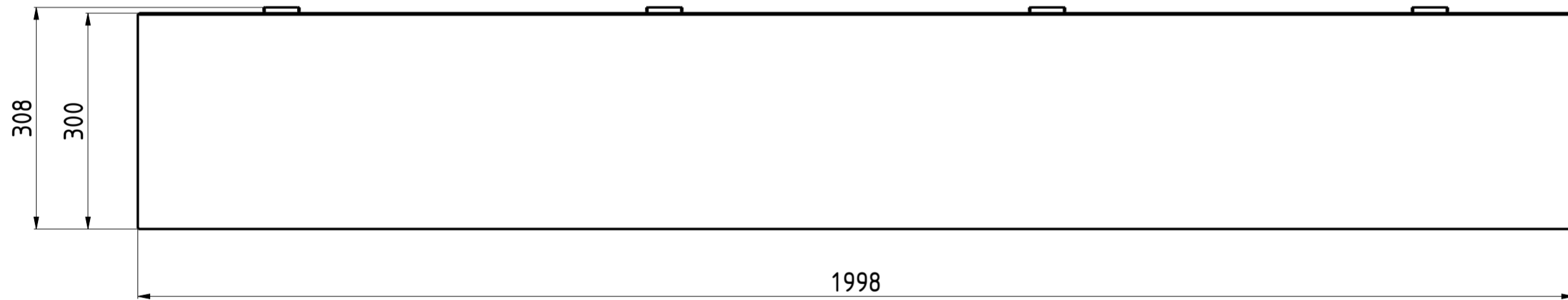
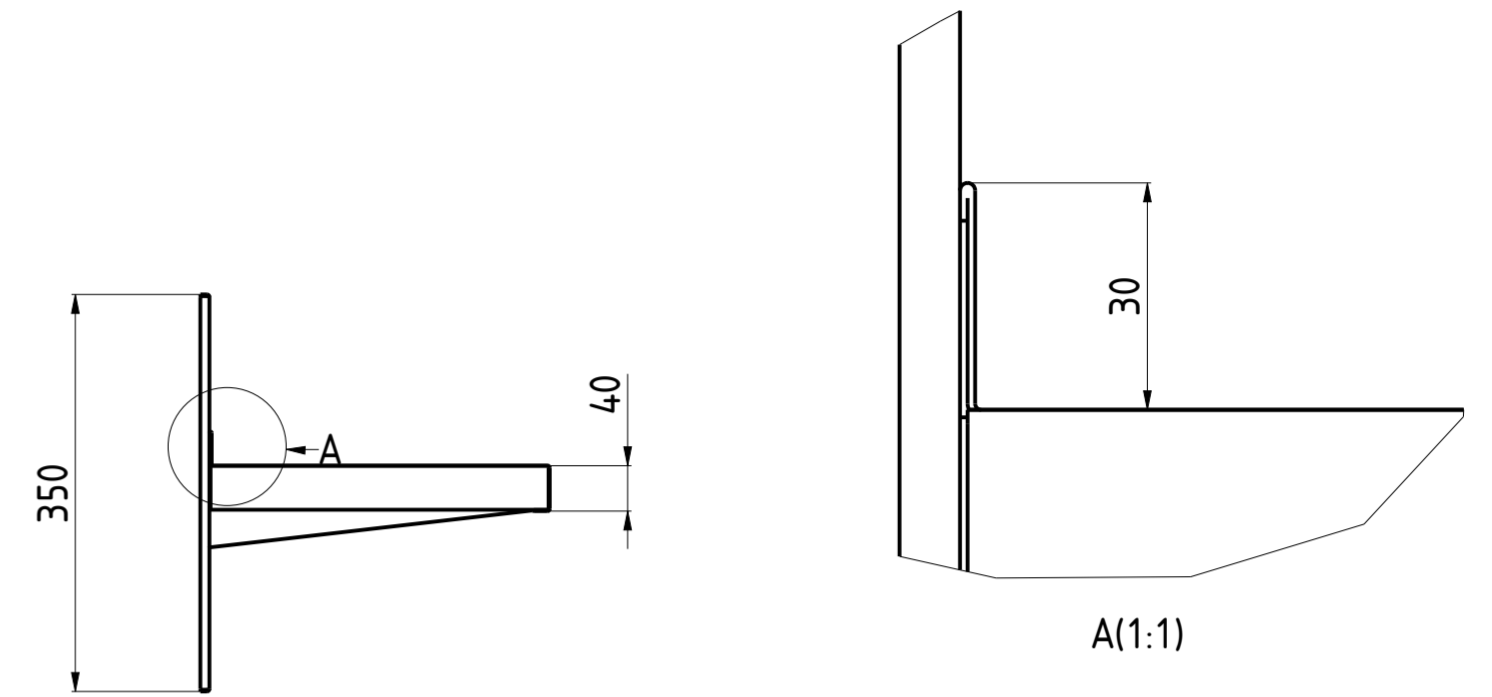


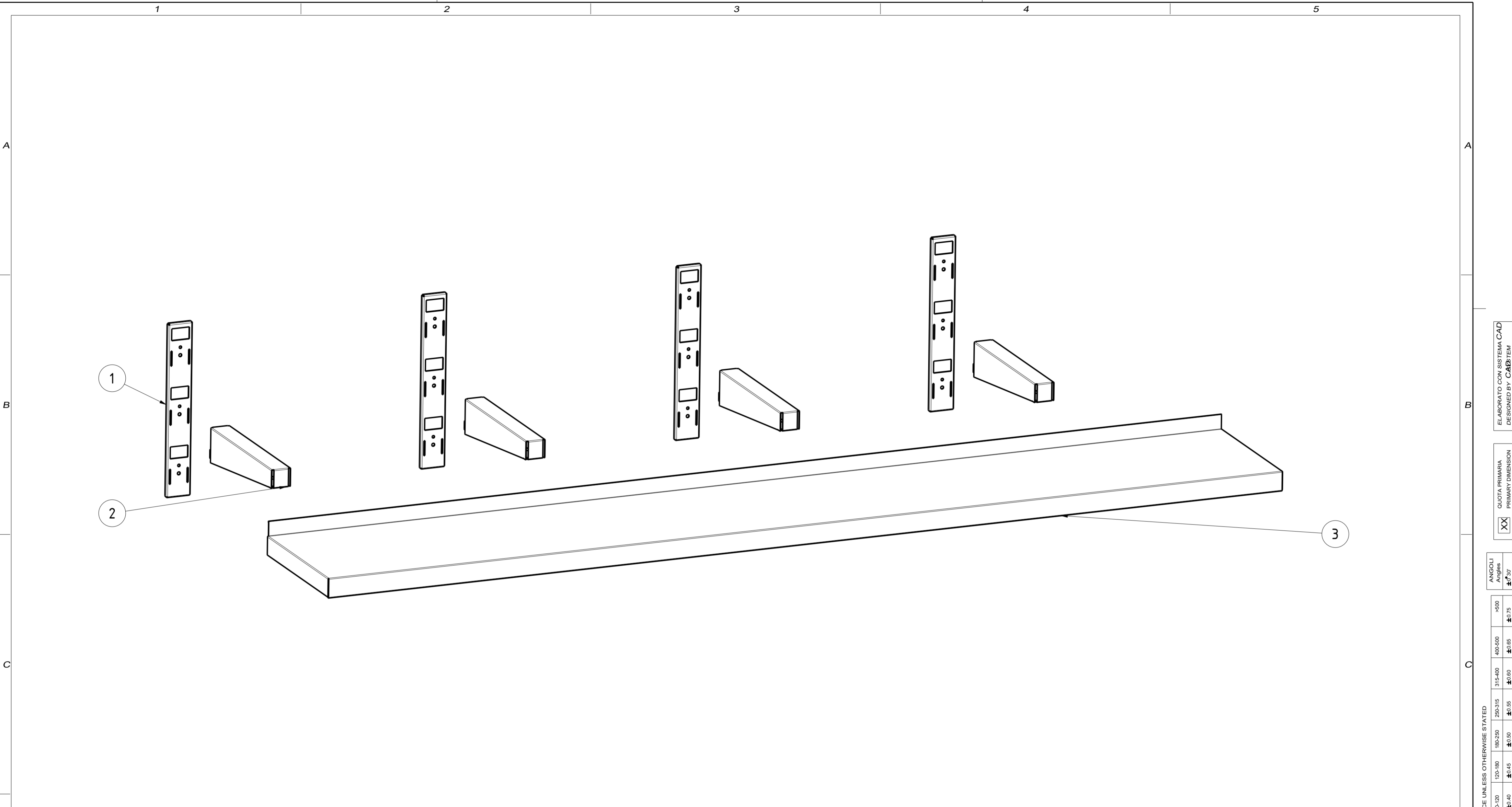
3:20



1:10

DATA DATE	MODIF. N. MODIF. NO.	DESCRIZIONE MODIFICHE MODIFICATION DESCRIPTION	DISegnATO DRAWN BY	APPROVATO APPROVED
MODELLO MODEL	MENSOLA 200x30 SHELF 200x30		DISegno N. DRAWING NO. DSM203	SCALA SCALE -
PARTICOLARE DETAIL	SCHEDA TECNICA DATA SHEET		DISegnATO DRAWN BY M.PAPI	DATA DATE
MATERIALE MATERIAL		SPess. THICK.	APPROVATO APPROVED	SHEET 1 OF 2
FINITURA FINISH		PEZZI N. PIECES NO.	SOSTITUISCE IL DIS. N. IT REPLACES DRAWING NO.	ULTIMA EMISS. LAST EDITION
TRATTAMENTO TREATMENT		COLORE COLOUR	SOSTITUITO DAL DIS. N. REPLACED BY DRAWING NO.	
		RISTOPRO SRL FRAZ. BORGO TUFICO, 47 FABRIANO (AN) ITALY +39.732.043494 WWW.RISTOPRO.COM		

ELABORATO CON SISTEMA CAD
 DESIGNED BY CAD/STEM
 QUOTA PRIMARIA
 PRIMARY DIMENSION
 XX
 ANGOLI
 Angles
 >500 ±0.75
 400-500 ±0.65
 315-400 ±0.60
 250-315 ±0.55
 180-250 ±0.50
 120-180 ±0.45
 80-120 ±0.40
 50-80 ±0.35
 30-50 ±0.30
 18-30 ±0.25
 10-18 ±0.20
 5-10 ±0.15
 0-5 ±0.10
 TOLLERANCE UNLESS OTHERWISE STATED
 QUOTE SENZA TOLLERANZA
 LUNGH. E DIAM.
 LENGTH AND DIAM.
 mm
 FORM.A-2



ITEM NO	PART NUMBER	QTY	DESCRIPTION
3	ME016	1	RIPIANO MENSOLA P30 L200 SHELF P30 L200
2	ME007	4	SUPPORTO PER MENSOLE P30 H40 SUPPORT FOR SHELVES P30 H40
1	ME001	4	SUPPORTO A PARETE PER MENSOLE H35 WALL BRACKET FOR SHELVES H35

DATA DATE	MODIF. N. MODIF. NO.	DESCRIZIONE MODIFICHE MODIFICATION DESCRIPTION	DISEGNATO DRAWN BY	APPROVATO APPROVED
MODELLO MODEL MENSOLA 200x30 SHELF 200x30		DISSEGNO N. DRAWING NO. DSM203	SCALA SCALE -	
PARTICOLARE DETAIL SCHEDA TECNICA DATA SHEET		DISEGNATO DRAWN BY M.PAPI	DATA DATE	
MATERIALE MATERIAL	SPESS. THICK.	APPROVATO APPROVED	SHEET 2 OF 2	
FINITURA FINISH	PEZZI N. PIECES NO.	SOSTITUISCE IL DIS. N. IT REPLACES DRAWING NO.		ULTIMA EMISS. LAST EDITION
TRATTAMENTO TREATMENT	COLORE COLOUR	SOSTITUITO DAL DIS. N. REPLACED BY DRAWING NO.		

RISTOPRO
 PROFESSIONAL CATERING EQUIPMENT

RISTOPRO SRL
 FRAZ. BORGO TUFICO, 47 FABRIANO (AN)
 ITALY +39.732.043494
 WWW.RISTOPRO.COM

mm

FORM.A-2

ELABORATO CON SISTEMA CAD DESIGNED BY CADSTEM
 QUOTA PRIMARIA PRIMARY DIMENSION XX
 ANGOLI Angles 30°
 TOLLERANZA UNLESS OTHERWISE STATED
 QUOTE SENZA TOLLERANZA
 TOLLERANZA UNLESS OTHERWISE STATED
 LUNGH. E DIAM. LENGHT AND DIAM.

>500	±0.75
400-500	±0.65
315-400	±0.60
250-315	±0.55
180-250	±0.50
120-180	±0.45
80-120	±0.40
50-80	±0.35
30-50	±0.30
18-30	±0.25
10-18	±0.20
5-10	±0.15
0-5	±0.10