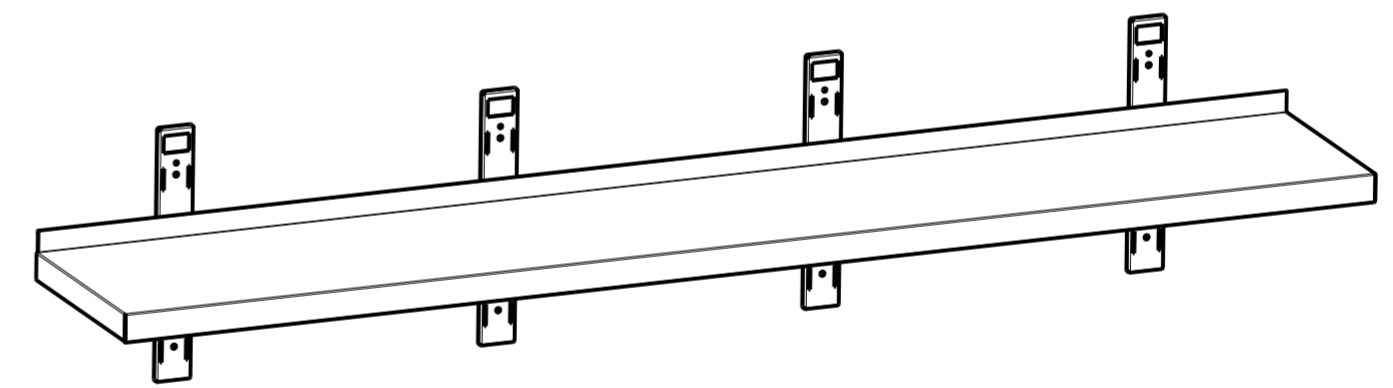
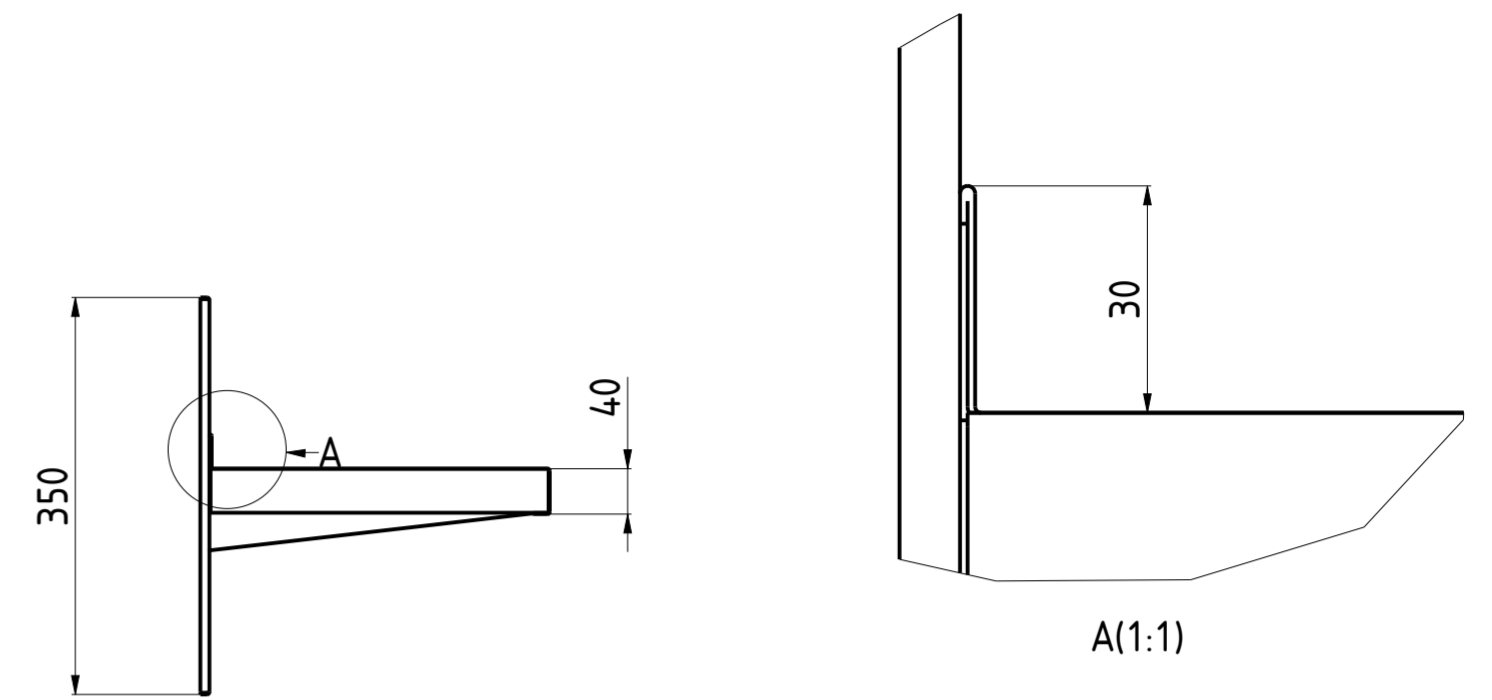
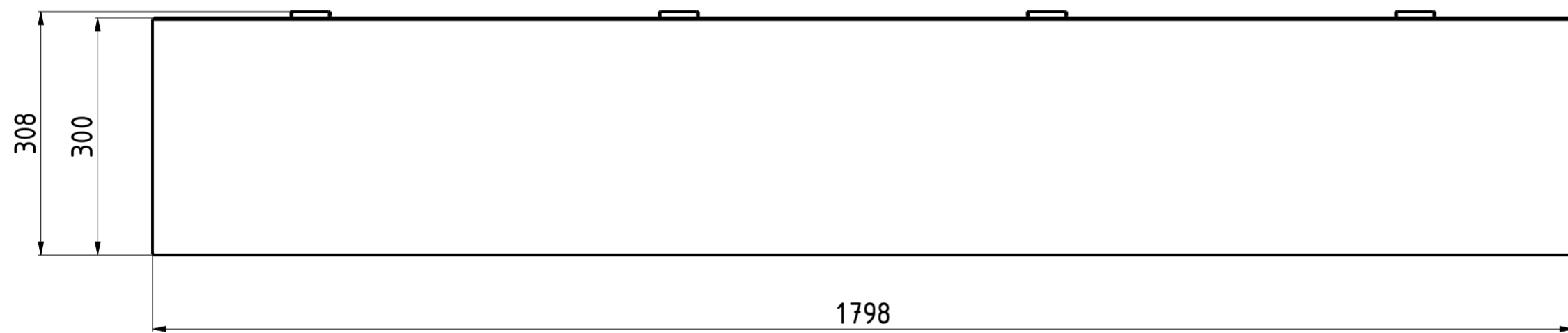


3:20



1:10

DATA DATE	MODIF. N. MODIF. NO.	DESCRIZIONE MODIFICHE MODIFICATION DESCRIPTION	DISegnATO DRAWN BY	APPROVATO APPROVED
MODELLO MODEL	MENSOLA 180x30 SHELF 180x30		DISegNO N. DRAWING NO. DSM183	SCALA SCALE -
PARTICOLARE DETAIL	SCHEDA TECNICA DATA SHEET		DISegNATO DRAWN BY M.PAPI	DATA DATE
MATERIALE MATERIAL		SPess. THICK.	APPROVATO APPROVED	SHEET 1 OF 2
FINITURA FINISH		PEZZI N. PIECES NO.	SOSTITUISCE IL DIS. N. IT REPLACES DRAWING NO.	ULTIMA EMISS. LAST EDITION
TRATTAMENTO TREATMENT		COLORE COLOUR	SOSTITUITO DAL DIS. N. REPLACED BY DRAWING NO.	
		RISTOPRO SRL FRAZ. BORGO TUFICO, 47 FABRIANO (AN) ITALY +39.732.043494 WWW.RISTOPRO.COM		 mm

ELABORATO CON SISTEMA CAD DESIGNED BY CADSYSTEM
 QUOTA PRIMARIA PRIMARY DIMENSION XX
 ANGOLI Angles 30° ±0.30°
 TOLLERANCE UNLESS OTHERWISE STATED
 QUOTE SENZA TOLLERANZA
 >500 ±0.75
 400-500 ±0.65
 315-400 ±0.60
 250-315 ±0.55
 180-250 ±0.50
 120-180 ±0.45
 80-120 ±0.40
 50-80 ±0.35
 30-50 ±0.30
 18-30 ±0.25
 10-18 ±0.20
 5-10 ±0.15
 0-5 ±0.10
 LUNGH. E DIAM. LENGTH AND DIAM. FORM.A-2

1 2 3 4 5

A

A

B

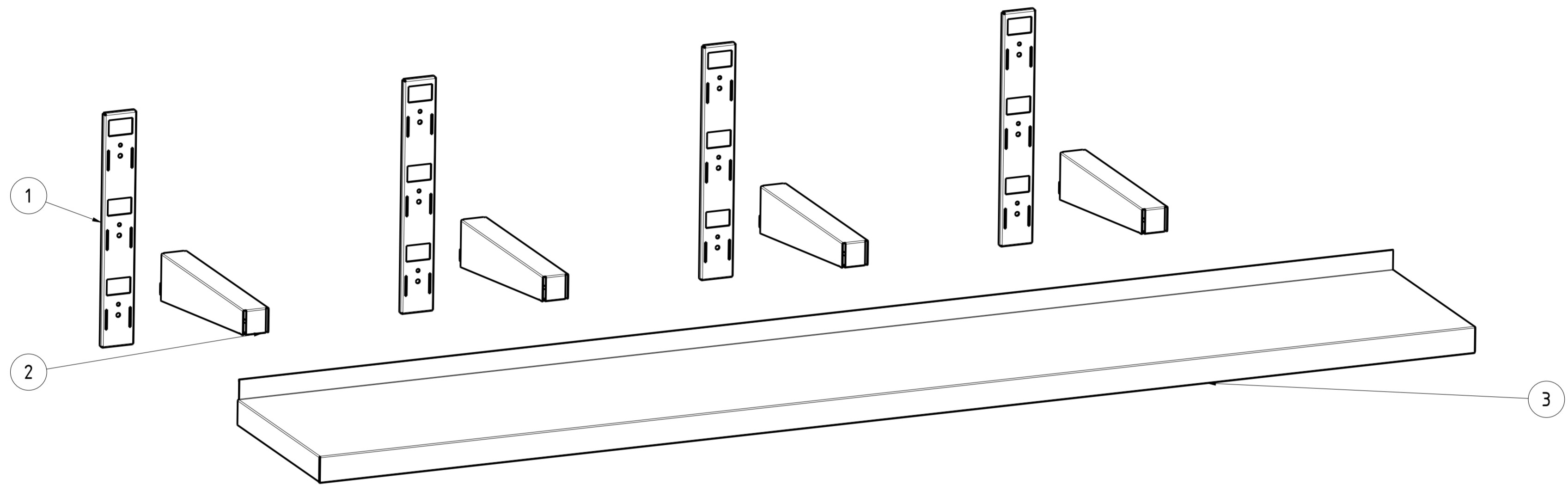
B

C

C

D

D



3	ME015	1	RIPIANO MENSOLA P30 L180	SHELF P30 L180
2	ME007	4	SUPPORTO PER MENSOLE P30 H40	SUPPORT FOR SHELVES P30 H40
1	ME001	4	SUPPORTO A PARETE PER MENSOLE H35	WALL BRACKET FOR SHELVES H35
ITEM NO	PART NUMBER	QTY	DESCRIPTION	

DATA DATE	MODIF. N. MODIF. NO.	DESCRIZIONE MODIFICHE MODIFICATION DESCRIPTION	DISegnATO DRAWN BY	APPROVATO APPROVED
MODELLO MODEL	MENSOLA 180x30 SHELF 180x30		DISegno N. DRAWING NO. DSM183	SCALA SCALE -
PARTICOLARE DETAIL	SCHEDA TECNICA DATA SHEET		DISegnATO DRAWN BY M.PAPI	DATA DATE
MATERIALE MATERIAL	SPESS. THICK.	APPROVATO APPROVED	SHEET 2 OF 2	
FINITURA FINISH	PEZZI N. PIECES NO.	SOSTITUISCE IL DIS. N. IT REPLACES DRAWING NO.		ULTIMA EMISS. LAST EDITION
TRATTAMENTO TREATMENT	COLORE COLOUR	SOSTITUITO DAL DIS. N. REPLACED BY DRAWING NO.		
RISTOPRO PROFESSIONAL CATERING EQUIPMENT		RISTOPRO SRL FRAZ. BORGO TUFICO, 47 FABRIANO (AN) ITALY +39.732.043494 WWW.RISTOPRO.COM		mm

ELABORATO CON SISTEMA CAD DESIGNED BY CAD/STEM
 QUOTA PRIMARIA PRIMARY DIMENSION XX
 ANGOLI Angles 30°
 TOLLERANZA UNLESS OTHERWISE STATED
 QUOTE SENZA TOLLERANZA
 LUNGH. E DIAM. LENGHT AND DIAM.

>500	±0.75
400-500	±0.65
315-400	±0.60
250-315	±0.55
180-250	±0.50
120-180	±0.45
80-120	±0.40
50-80	±0.35
30-50	±0.30
18-30	±0.25
10-18	±0.20
5-10	±0.15
0-5	±0.10

FORM.A-2