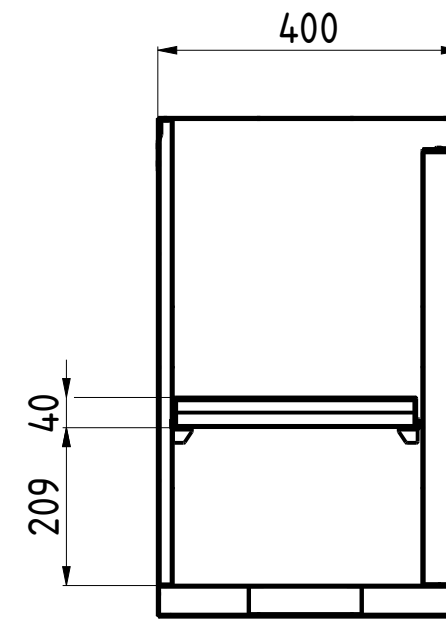
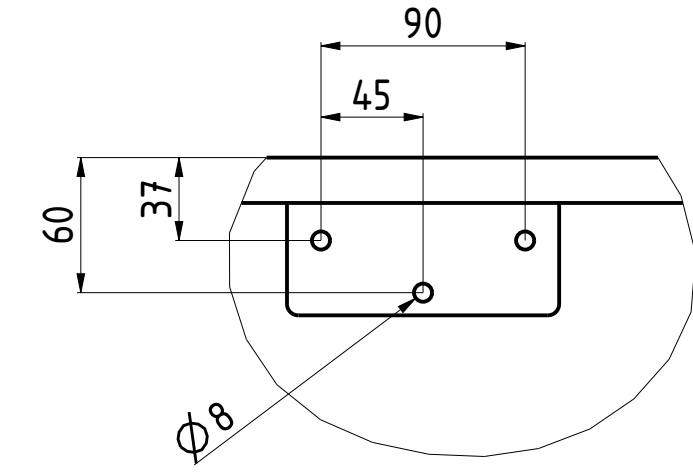
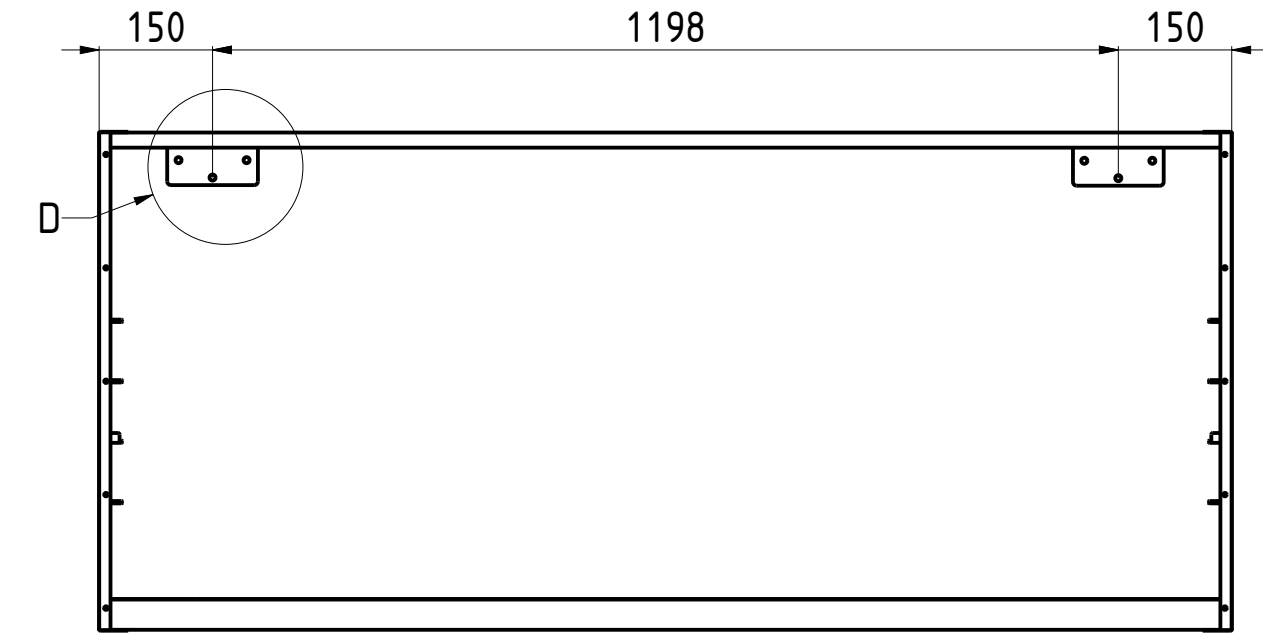


FRONT VIEW B-B 1:10



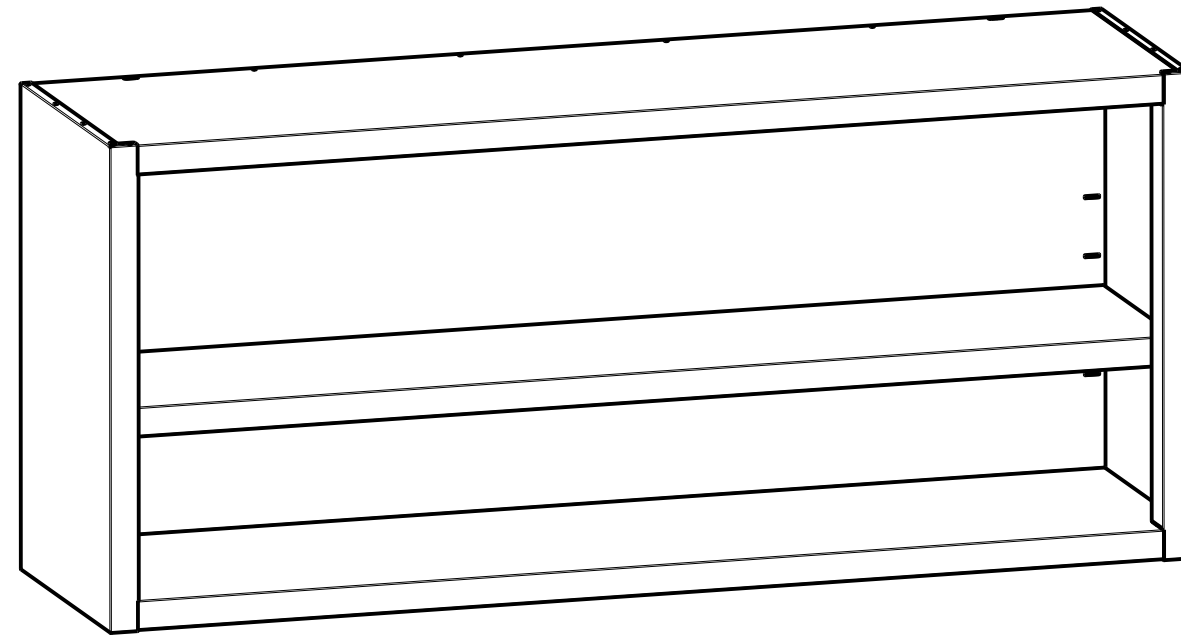
A-A



D(3:10)



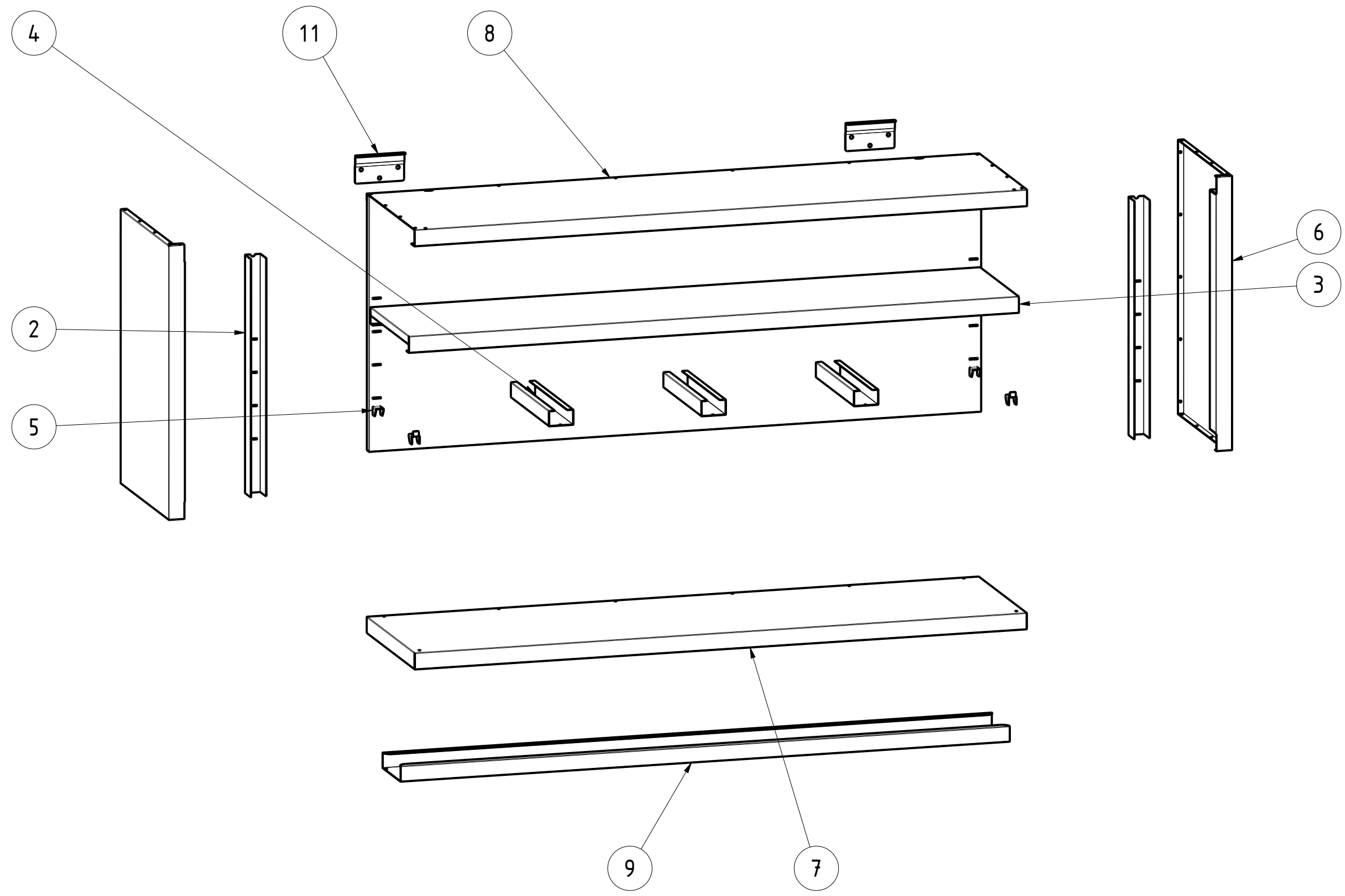
INTERNAL DIM C-C



3D VIEW 1:10

| DATA DATE             | MODIF. N. MODIF. NO.                     | DESCRIZIONE MODIFICHE MODIFICATION DESCRIPTION   | DISegnATO DRAWN BY               | APPROVATO APPROVED |
|-----------------------|--|--|----------------------------------|--------------------|
|                       |  |  |                                  |                    |
| MODELLO MODEL         | PENSILE GIORNO 150x40x65 HANGING CABINET |  | DISEGNO N. DRAWING NO. DSPG1546T | SCALA SCALE -      |
| PARTICOLARE DETAIL    | SCHEDA TECNICA DATA SHEET                |  | DISEGNATO DRAWN BY M.PAPI        | DATA DATE -        |
| MATERIALE MATERIAL    | SPESS. THICK.                            | APPROVATO APPROVED   | SHEET 1 OF 2                     |                    |
| FINITURA FINISH       | PEZZI N. PIECES NO.                      | SOSTITUISCE IL DIS. N. IT REPLACES DRAWING NO.   | ULTIMA EMISS. LAST EDITION       |                    |
| TRATTAMENTO TREATMENT | COLORE COLOUR                            | SOSTITUITO DAL DIS. N. REPLACED BY DRAWING NO.   |                                  |                    |
|                       |  | RISTOPRO SRL<br>FRAZ. BORGO TUFICO, 47 FABRIANO (AN)<br>ITALY +39.732.043494<br>WWW.RISTOPRO.COM |                                  | <br>mm             |
| FORM.A-2              |  |  |                                  |                    |

ELABORATO CON SISTEMA CAD DESIGNED BY CADSTEM  
 QUOTA PRIMARIA PRIMARY DIMENSION XX  
 ANGOLI Angles ±0.30°  
 TOLLERANZA UNLESS OTHERWISE STATED  
 QUOTE SENZA TOLLERANZA  
 >500 ±0.75  
 400-500 ±0.65  
 315-400 ±0.60  
 250-315 ±0.55  
 180-250 ±0.50  
 120-180 ±0.45  
 80-120 ±0.40  
 50-80 ±0.35  
 30-50 ±0.30  
 18-30 ±0.25  
 10-18 ±0.20  
 5-10 ±0.15  
 0-5 ±0.10  
 LUNGH. E DIAM. LENGTH AND DIAM.



|         |                  |     |  |   |
|---------|------------------|-----|--|---|
| 11      | SF234            | 2   | STAFFA POSTERIORE FISSAGGIO A MURO           | FIXING BRACKET                            |
| 10      | NT17216          | 1   | TOP PENSILE GIORNO L150 P40                  | OPEN CABINET TOP L150 P40                 |
| 9       | NT5813           | 1   | OMEGA RINFORZO PIANO BASE L150               | REINFORCEMENT L150                        |
| 8       | NT2488           | 1   | SCHIENALE PENSILE L150 H65                   | CABINET BACK L150 H65                     |
| 7       | NT2456           | 1   | PIANO BASE PENSILI GIORNO L150 P40           | BASE SHELF OPEN L150 P40                  |
| 6       | NT2319           | 2   | FIANCO SX/DX PENSILI PORTE BATT/GIOR P40 H65 | LEFT/RIGHT SIDE HING DOORS/OPEN P40 H65   |
| 5       | NT330            | 4   | STAFFA SUPPORTO RIPIANO INTERNO              | GANCRIPI - INTERNAL SHELF SUPPORT BRACKET |
| 4       | NT228            | 3   | OMEGA RIPIANO MOBILE PENSILE P40             | OMEGA INTERNAL SHELF P40                  |
| 3       | NT224            | 1   | RIPIANO MOBILE PENSILE L150 P40              | ADJUSTABLE SHELF L150 P40                 |
| 2       | NT101            | 2   | MONTANTE ASOLATO H65                         | SLOTTED UPRIGHT H65                       |
| 1       | ASS_BASPEN_G_154 | 1   | ASSIEME BASE PENSILE GIORNO 150x40           |   |
| ITEM NO | PART NUMBER      | QTY | DESCRIPTION                                  |   |

| DATA DATE  | MODIF. N. MODIF. NO. | DESCRIZIONE MODIFICHE MODIFICATION DESCRIPTION   | DISEGNATO DRAWN BY                             | APPROVATO APPROVED         |
|--|----------------------|--|--|----------------------------|
|  |                      |  |  |                            |
| MODELLO MODEL                                      |                      | PENSILE GIORNO 150x40x65 HANGING CABINET   | DISSEGNO N. DRAWING NO. DSPG1546               | SCALA SCALE -              |
| PARTICOLARE DETAIL                                 |                      | SCHEDA TECNICA DATA SHEET  | DISEGNATO DRAWN BY M.PAPI                      | DATA DATE -                |
| MATERIALE MATERIAL                                 |                      | SPESS. THICK. -  | APPROVATO APPROVED                             | SHEET 2 OF 2               |
| FINITURA FINISH                                    |                      | PEZZI N. PIECES NO.  | SOSTITUISCE IL DIS. N. IT REPLACES DRAWING NO. | ULTIMA EMISS. LAST EDITION |
| TRATTAMENTO TREATMENT                              |                      | COLORE COLOUR  | SOSTITUITO DAL DIS. N. REPLACED BY DRAWING NO. |                            |
| <b>RISTOPRO</b><br>PROFESSIONAL CATERING EQUIPMENT |                      | RISTOPRO SRL<br>FRAZ. BORGO TUFICO, 47 FABRIANO (AN)<br>ITALY +39.732.043494<br>WWW.RISTOPRO.COM |  | <br>mm                     |
|  |                      |  |  |                            |

ELABORATO CON SISTEMA CAD  
 DESIGNED BY CAD/STEM  
 QUOTA PRIMARIA  
 PRIMARY DIMENSION  
 XX  
 ANGOLI  
 Angles  
 >500 ±0,75  
 400-500 ±0,65  
 315-400 ±0,60  
 250-315 ±0,55  
 180-250 ±0,50  
 120-180 ±0,45  
 80-120 ±0,40  
 50-80 ±0,35  
 30-50 ±0,30  
 10-30 ±0,25  
 5-10 ±0,15  
 0-5 ±0,10  
 LUNGHEZZE E DIAMETRI  
 LENGTH AND DIAM.  
 TOLLERANZA UNLESS OTHERWISE STATED  
 TOLERANCE UNLESS OTHERWISE STATED