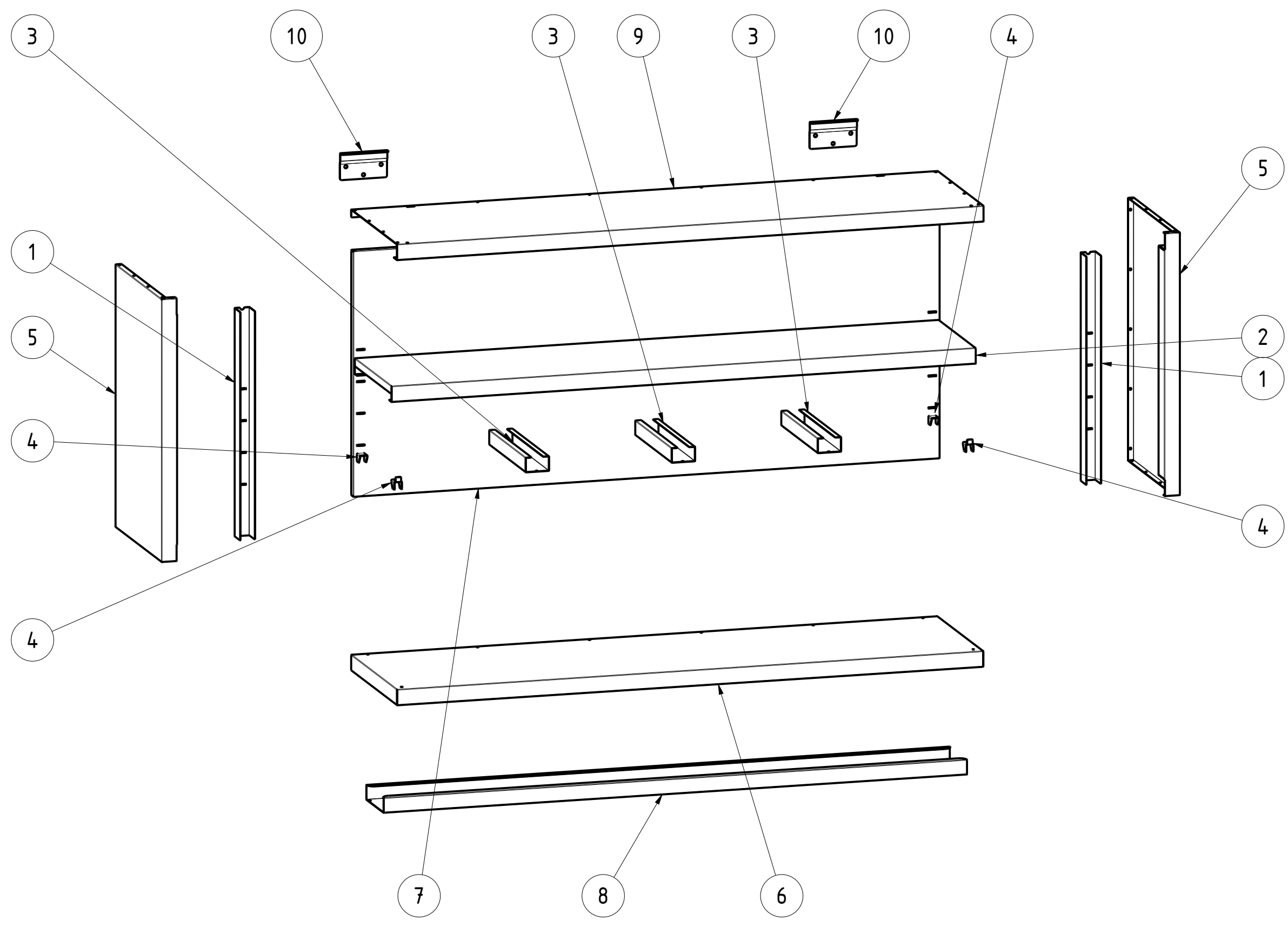


EXPLOSIONSZEICHNUNG



KBS Gastrotechnik GmbH – Schoßbergstraße 26 – 65201 Wiesbaden



10	SF234	2	STAFFA POSTERIORE FISSAGGIO A MURO	FIXING BRACKET
9	NT17216	1	TOP PENSILE GIORNO L150 P40	OPEN CABINET TOP L150 P40
8	NT5813	1	OMEGA RINFORZO PIANO BASE L150	REINFORCEMENT L150
7	NT2488	1	SCHIENALE PENSILE L150 H65	CABINET BACK L150 H65
6	NT2456	1	PIANO BASE PENSILI GIORNO L150 P40	BASE SHELF OPEN L150 P40
5	NT2319	2	FIANCO SX/DX PENSILI PORTE BATT/GIOR P40 H65	LEFT/RIGHT SIDE HING DOORS/OPEN P40 H65
4	NT330	4	STAFFA SUPPORTO RIPIANO INTERNO	GANCRIIP - INTERNAL SHELF SUPPORT BRACKET
3	NT228	3	OMEGA RIPIANO MOBILE PENSILE P40	OMEGA INTERNAL SHELF P40
2	NT224	1	RIPIANO MOBILE PENSILE L150 P40	ADJUSTABLE SHELF L150 P40
1	NT101	2	MONTANTE ASOLATO H65	SLOTTED UPRIGHT H65
ITEM NO	PART NUMBER	QTY	DESCRIPTION	

DATA DATE	MODIF. N. MODIF. NO.	DESCRIZIONE MODIFICHE MODIFICATION DESCRIPTION	DISEGNATO DRAWN BY	APPROVATO APPROVED
MODELLO MODEL		PENSILE GIORNO 150x40x65 HANGING CABINET	DISSEGNO N. DRAWING NO. DSPG1546T	SCALA SCALE -
PARTICOLARE DETAIL		SCHEDA TECNICA DATA SHEET	DISEGNATO DRAWN BY M.PAPI	DATA DATE -
MATERIALE MATERIAL		SPESS. THICK. -	APPROVATO APPROVED	SHEET 2 OF 2
FINITURA FINISH		PEZZI N. PIECES NO.	SOSTITUISCE IL DIS. N. IT REPLACES DRAWING NO.	ULTIMA EMISS. LAST EDITION
TRATTAMENTO TREATMENT		COLORE COLOUR	SOSTITUITO DAL DIS. N. REPLACED BY DRAWING NO.	
RISTOPRO PROFESSIONAL CATERING EQUIPMENT		RISTOPRO SRL FRAZ. BORGO TUFICO, 47 FABRIANO (AN) ITALY +39.732.043494 WWW.RISTOPRO.COM		 mm

ELABORATO CON SISTEMA CAD
DESIGNED BY CAD/STEM

QUOTA PRIMARIA
PRIMARY DIMENSION
XX

ANGOLI
Angles
±0.30°

TOLLERANZA UNLESS OTHERWISE STATED

>500	±0.75
400-500	±0.65
315-400	±0.60
250-315	±0.55
180-250	±0.50
120-180	±0.45
80-120	±0.40
50-80	±0.35
18-30	±0.25
10-18	±0.20
5-10	±0.15
0-5	±0.10

LUNGH. E DIAM.
LENGHT AND DIAM.
mm