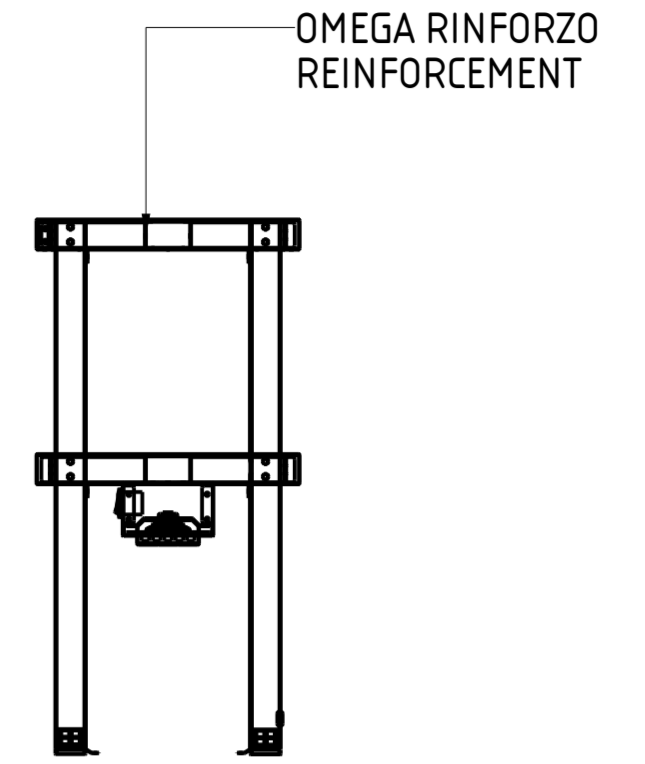
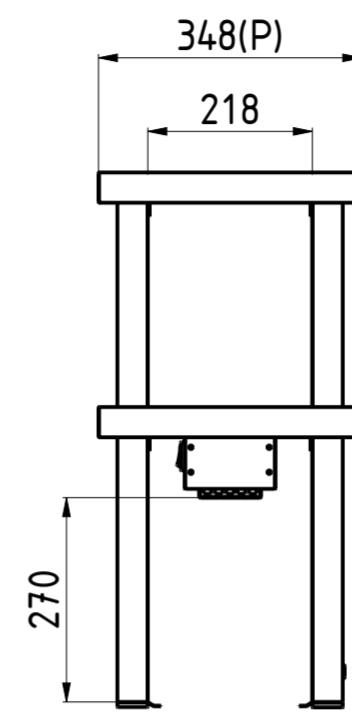
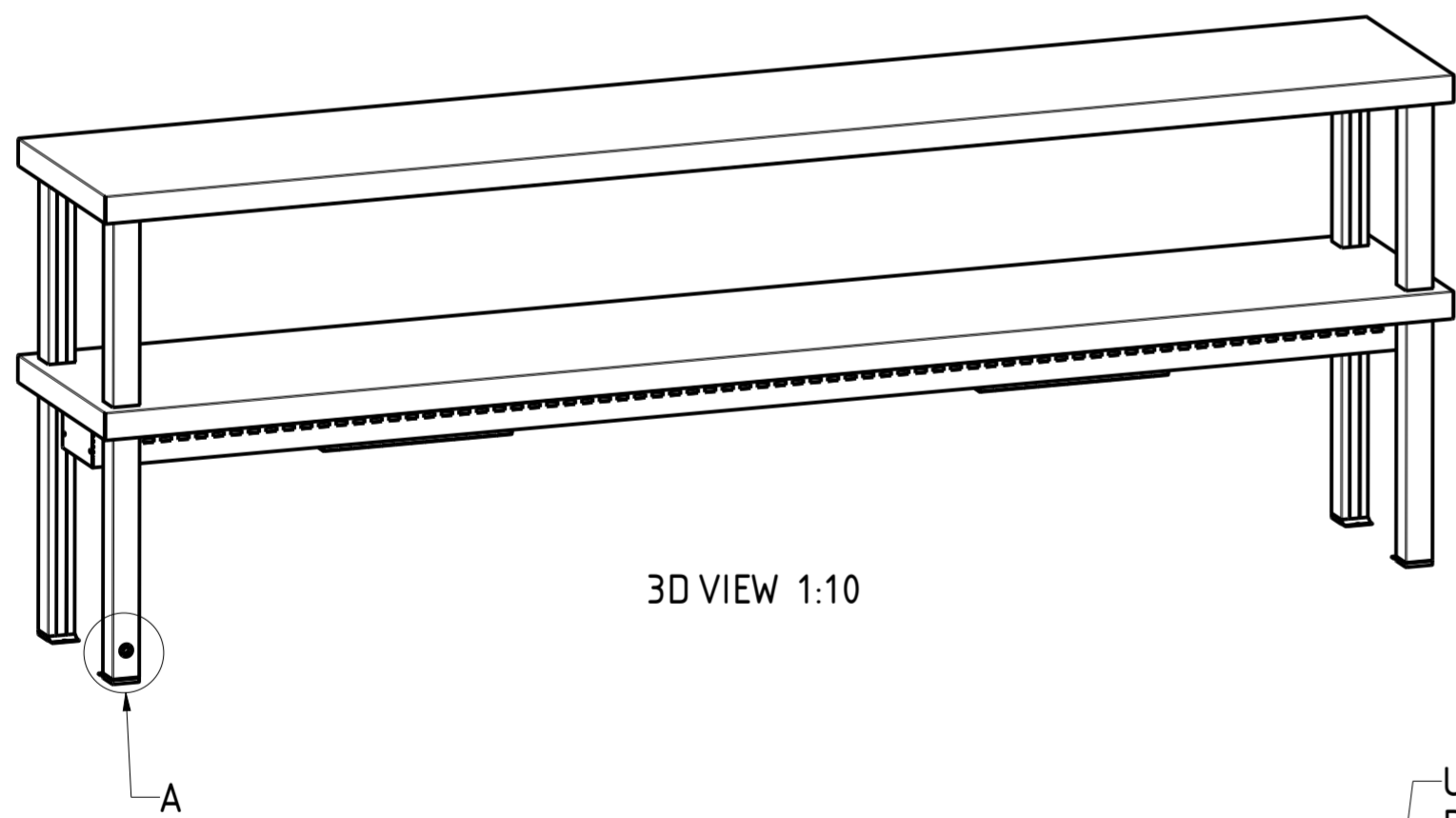


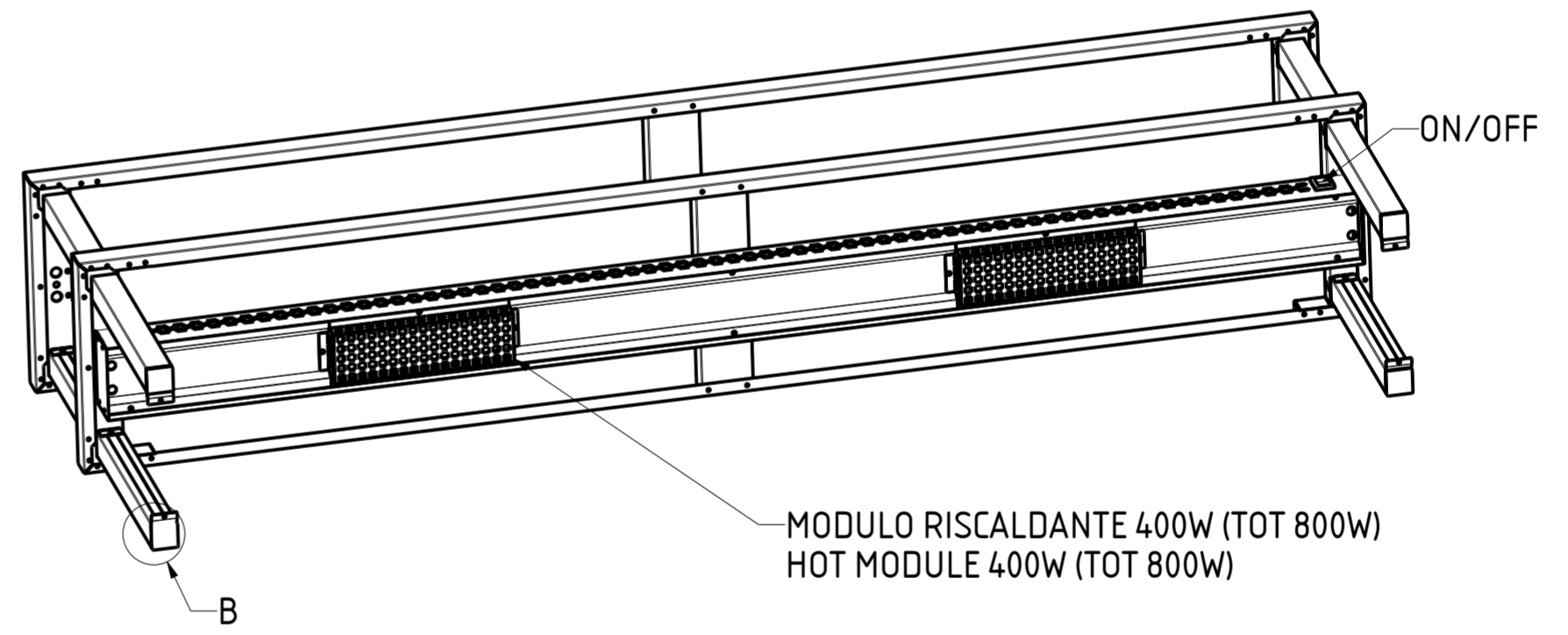
FRONT VIEW 1:10



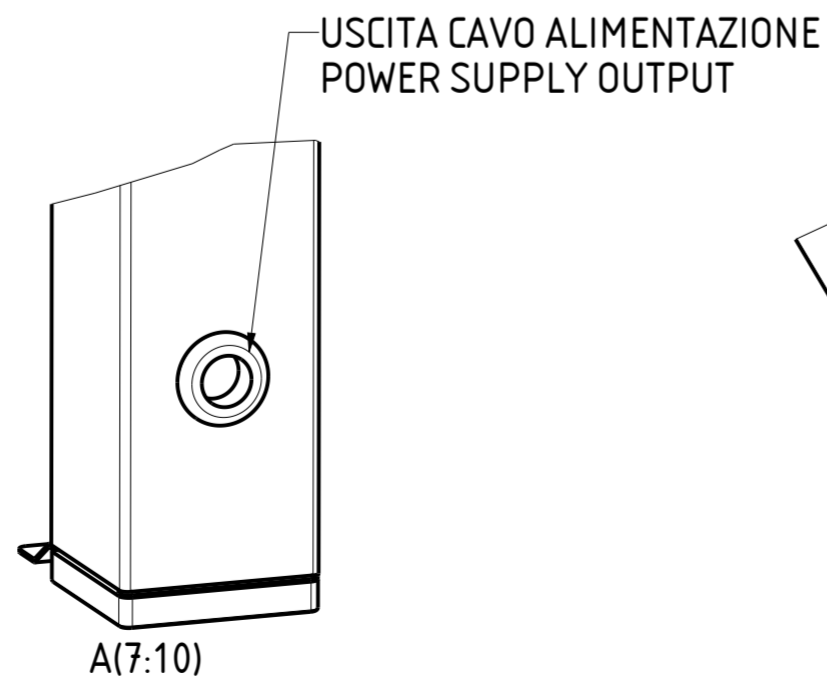
B-B



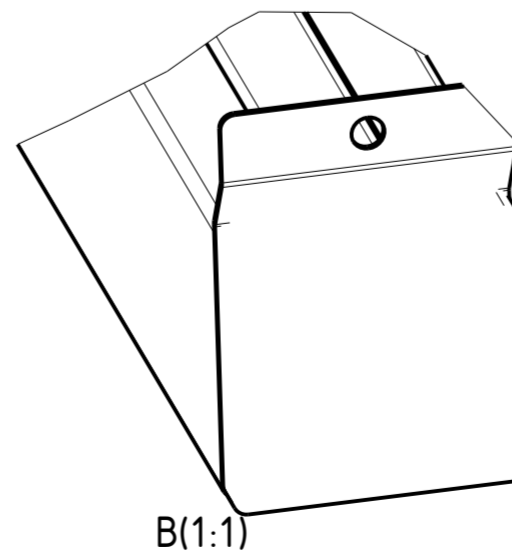
3D VIEW 1:10



3D BOTTOM VIEW 1:10



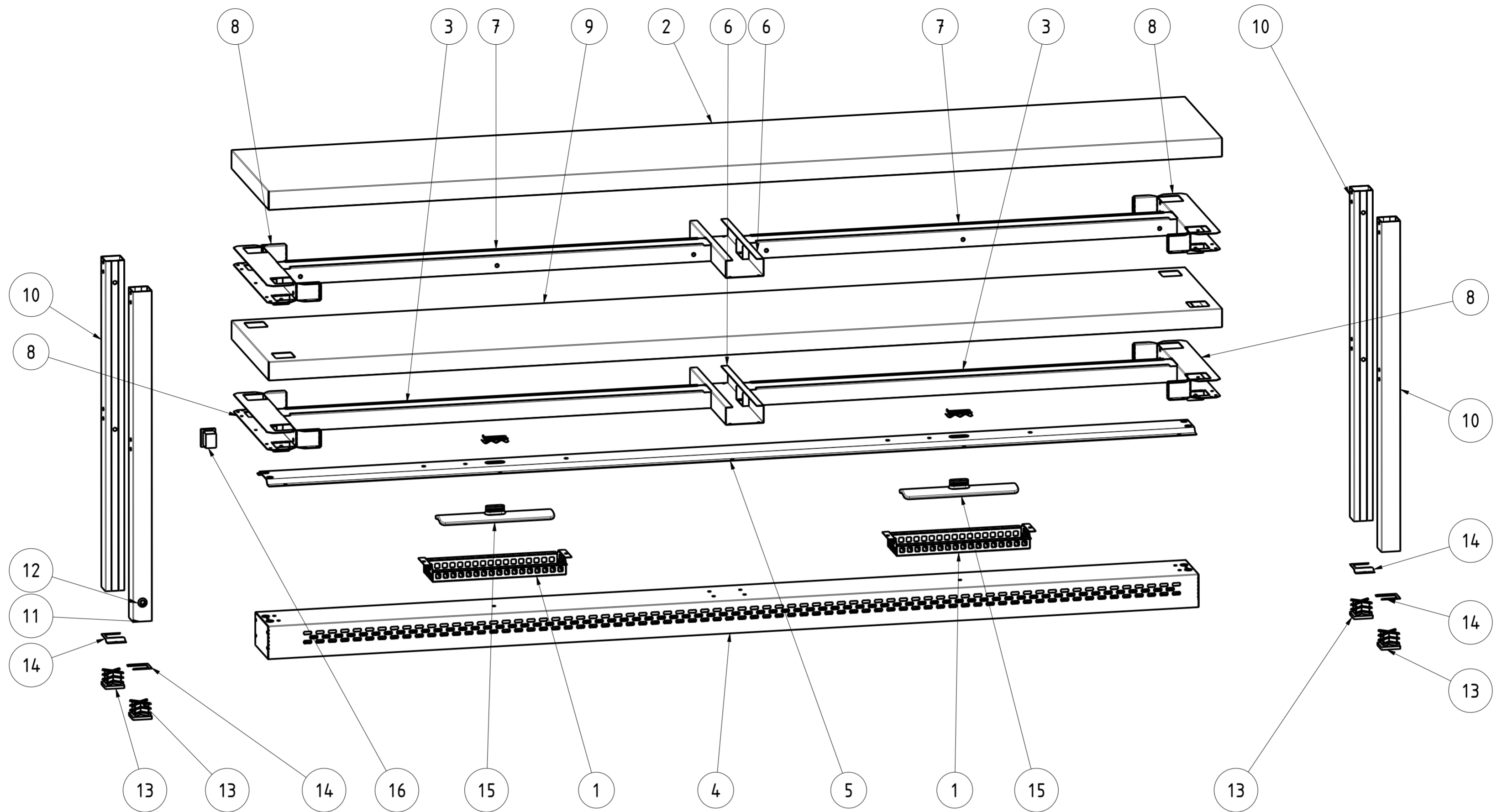
A(7:10)



B(1:1)

DATA DATE	MODIF. N. MODIF. NO.	DESCRIZIONE MODIFICHE MODIFICATION DESCRIPTION	DISegnATO DRAWN BY	APPROVATO APPROVED
MODELLO MODEL	RIPIANO DI APPOGGIO DOPPIO RISCALDATO H70 CM TABLE TOPS - TOP AND SHELF WITH HEATING H70 CM		DISEGNO N. DRAWING NO. DSRADR20357	SCALA SCALE -
PARTICOLARE DETAIL	SCHEDA TECNICA DATA SHEET		DISEGNATO DRAWN BY M.PAPI	DATA DATE
MATERIALE MATERIAL	SPES.S. THICK.	APPROVATO APPROVED	SHEET 1 OF 2	
FINITURA FINISH	PEZZI N. PIECES NO.	SOSTITUISCE IL DIS. N. IT REPLACES DRAWING NO.	ULTIMA EMISS. LAST EDITION	
TRATTAMENTO TREATMENT	COLORE COLOUR	SOSTITUITO DAL DIS. N. REPLACED BY DRAWING NO.		
RISTOPRO PROFESSIONAL CATERING EQUIPMENT		RISTOPRO SRL FRAZ. BORGO TUFICO, 47 FABRIANO (AN) ITALY +39.732.043494 WWW.RISTOPRO.COM		 mm

ELABORATO CON SISTEMA CAD DESIGNED BY CADSYSTEM
 QUOTA PRIMARIA PRIMARY DIMENSION XX
 ANGOLI Angles 30° ±0.30°
 TOLLERANCE UNLESS OTHERWISE STATED
 QUOTE SENZA TOLLERANZA
 >500 ±0.75
 400-500 ±0.65
 315-400 ±0.60
 250-315 ±0.55
 180-250 ±0.50
 120-180 ±0.45
 80-120 ±0.40
 50-80 ±0.35
 30-50 ±0.30
 18-30 ±0.25
 10-18 ±0.20
 5-10 ±0.15
 0-5 ±0.10
 LUNGH. E DIAM. LENGTH AND DIAM. mm
 FORM.A-2



16	TASTO_ON_OFF_SCALDAVIVANDE	1	TASTO_ON_OFF	ON/OFF BUTTON
15	RESISTENZA	2	RESISTENZA	RESISTENCE
14	RA11	4	STAFFA FISSAGGIO AL TAVOLO	FIXING BRACKET
13	QA40	4	COPRITESTA 40x40x6	PLASTIC HEAD COVER
12	PASSACAVO_9_5	1	PASSACAVO 9-5	FAIRLEAD 9-5
11	NT14166	1	GAMBA QUADRA H70 PASSACAVO SCALDAVIVANDE	FAIRLEAD SQUARE LEG H70
10	NT14165	3	GAMBA QUADRA H70 PER SCALDAVIVANDE	SQUARE LEG H70
9	NT3700	1	RIPIANO INF GAMBE QUAD. SCALDAV. 200x35	LOWER SHELF 200x35
8	NT3321	4	SUPP.GAMBE QUADRE INFER.SCALDAVIVANDE P35	LOWER SQUARE LEGS SUPPORT P35
7	NT1906	2	200_SUPERIORE	UPPER REINFORCEMENT L120
6	NT1636	2	RINFORZO CENTRALE SCALDAVIVANDE P35	---
5	NT1622	1	200 2R	INTERNAL RESISTANCE SUPPORT L120
4	NT1621	1	SUPP. RESISTENZA ESTERNO SCALDAVIVANDE L200	SUPPORT FOR EXTERNAL HEATING WARMER L200
3	NT1620	2	200_INFERIORE	UPPER REINFORCEMENT L120
2	NT1619	1	RIPIANO SUP SCALDAV. 200x35	UPPER SHELF 200x35
1	NT774	2	COPERTURA RESISTENZA	RESISTENCE COVER
ITEM NO	PART NUMBER	QTY	DESCRIPTION	

DATA DATE	MODIF. N. MODIF. NO.	DESCRIZIONE MODIFICHE MODIFICATION DESCRIPTION	DISegnATO DRAWN BY	APPROVATO APPROVED
MODELLO MODEL	RIPIANO DI APPOGGIO DOPPIO RISCALDATO H70 CM TABLES TOPS - TOP AND SHELF WITH HEATING H70 CM		DISegno N. DRAWING NO.	SCALA SCALE
PARTICOLARE DETAIL	SCHEDA TECNICA DATA SHEET		DISegnATO DRAWN BY	DATA DATE
MATERIALE MATERIAL	SPES.S. THICK.	APPROVATO APPROVED	SHEET 2 OF 2	
FINITURA FINISH	PEZZI N. PIECES NO.	SOSTITUISCE IL DIS. N. IT REPLACES DRAWING NO.		ULTIMA EMISS. LAST EDITION
TRATTAMENTO TREATMENT	COLORE COLOUR	SOSTITUITO DAL DIS. N. REPLACED BY DRAWING NO.		
RISTOPRO		RISTOPRO SRL		
PROFESSIONAL CATERING EQUIPMENT		FRAZ. BORGO TUFICO, 47 FABRIANO (AN)		
		ITALY +39.732.043494		
		WWW.RISTOPRO.COM		
		mm		
		FORM.A-2		

ELABORATO CON SISTEMA CAD
DESIGNED BY CAD/STEM

QUOTA PRIMARIA
PRIMARY DIMENSION
XX

ANGOLI
Angles
30°

Tolleranza	>500	400-500	315-400	250-315	180-250	120-180	80-120	50-80	30-50	10-30	5-10	0-5
±0.75	±0.65	±0.60	±0.55	±0.50	±0.45	±0.40	±0.35	±0.30	±0.25	±0.20	±0.15	±0.10

QUOTE SENZA TOLLERANZA
TOLERANCE UNLESS OTHERWISE STATED

LUNGH. E DIAM.
LENGTH AND DIAM.
mm