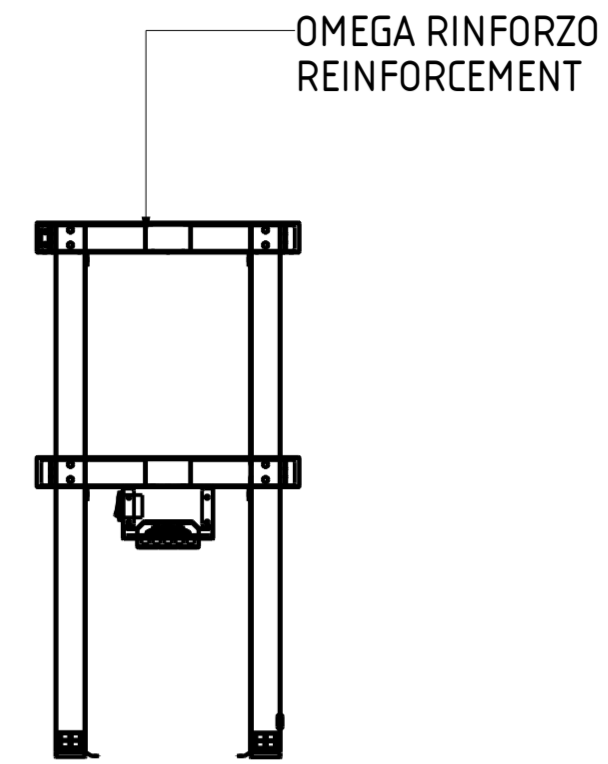
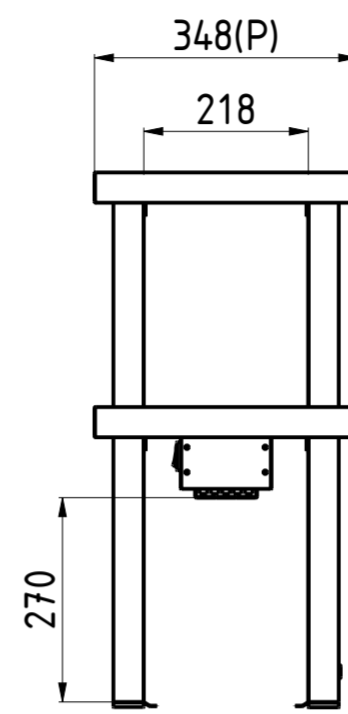
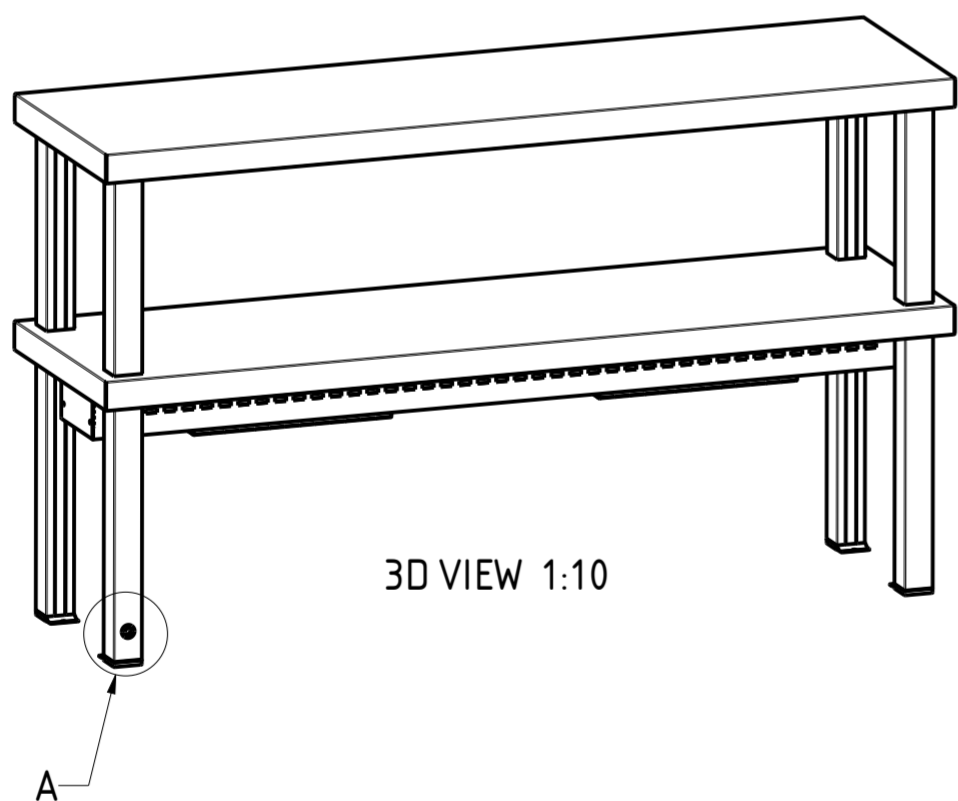


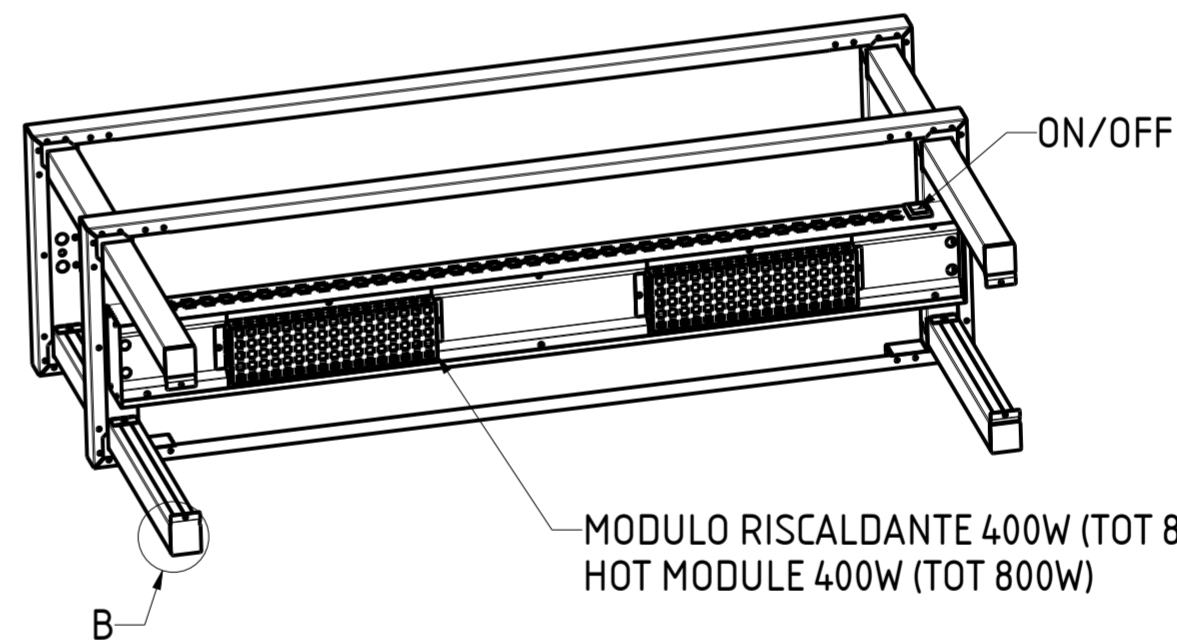
FRONT VIEW 1:10



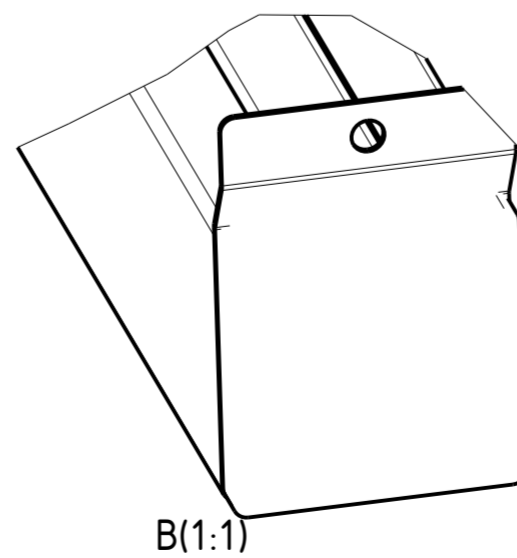
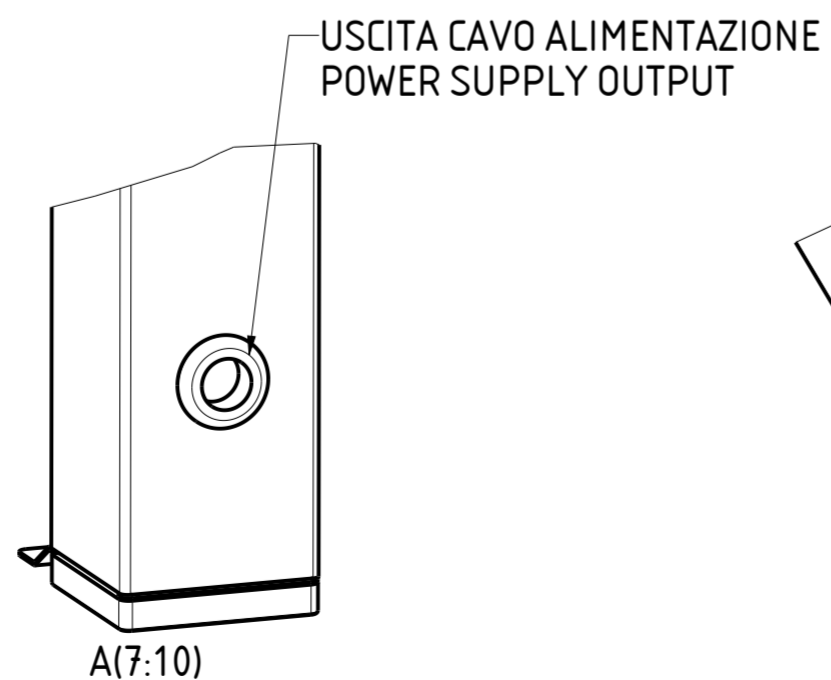
B-B



3D VIEW 1:10

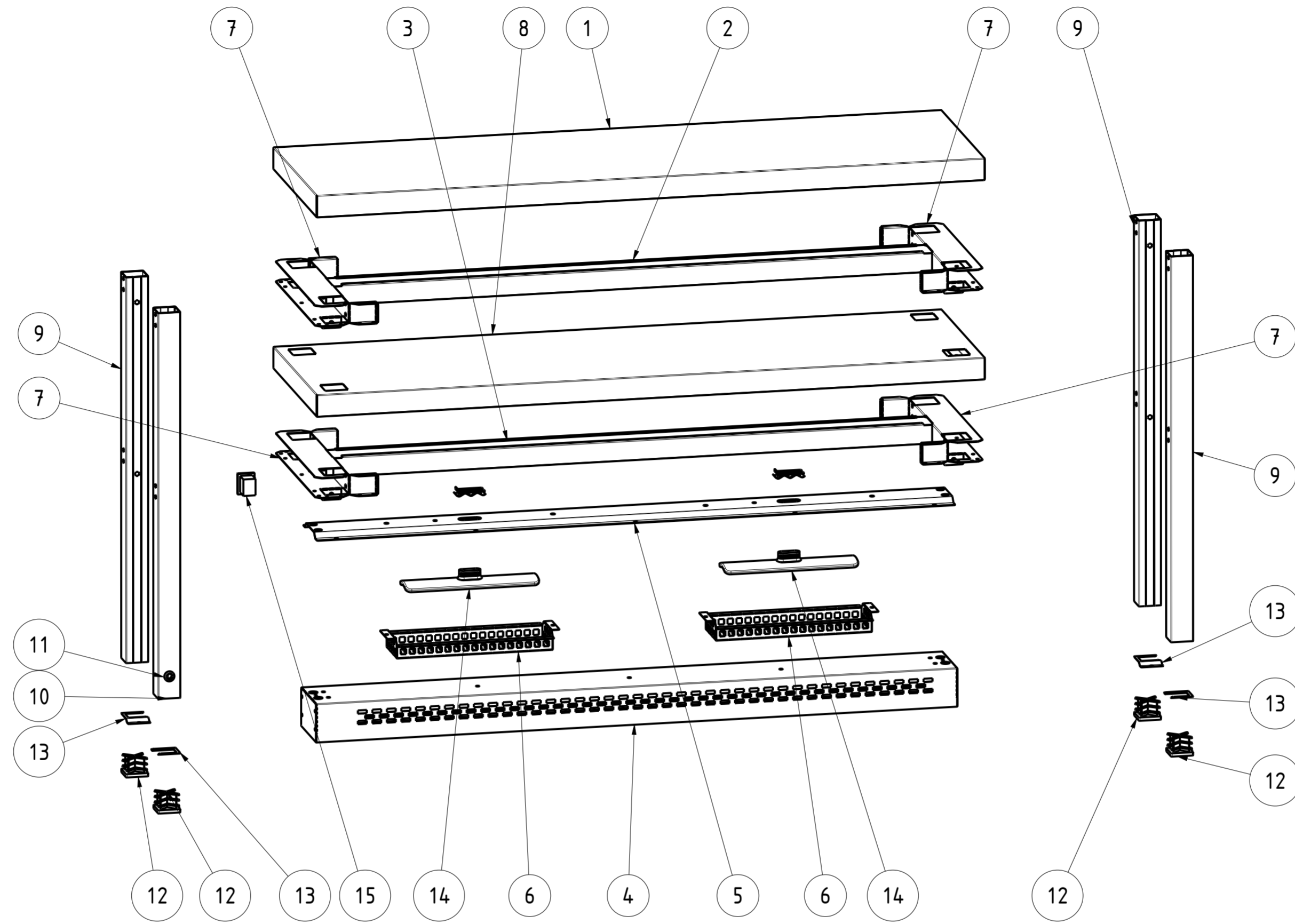


3D BOTTOM VIEW 1:10



DATA DATE	MODIF. N. MODIF. NO.	DESCRIZIONE MODIFICHE MODIFICATION DESCRIPTION	DISegnATO DRAWN BY	APPROVATO APPROVED
MODELLO MODEL	RIPIANO DI APPOGGIO DOPPIO RISCALDATO H70 CM TABLES TOPS - TOP AND SHELF WITH HEATING H70 CM		DISEGNO N. DRAWING NO. DSRADR12357	SCALA SCALE -
PARTICOLARE DETAIL	SCHEDA TECNICA DATA SHEET		DISEGNATO DRAWN BY M.PAPI	DATA DATE
MATERIALE MATERIAL	SPES. THICK.	APPROVATO APPROVED	SHEET 1 OF 2	
FINITURA FINISH	PEZZI N. PIECES NO.	SOSTITUISCE IL DIS. N. IT REPLACES DRAWING NO.	ULTIMA EMISS. LAST EDITION	
TRATTAMENTO TREATMENT	COLORE COLOUR	SOSTITUITO DAL DIS. N. REPLACED BY DRAWING NO.		
RISTOPRO PROFESSIONAL CATERING EQUIPMENT			RISTOPRO SRL FRAZ. BORGO TUFICO, 47 FABRIANO (AN) ITALY +39.732.043494 WWW.RISTOPRO.COM	

ELABORATO CON SISTEMA CAD DESIGNED BY CADSYSTEM
 QUOTA PRIMARIA PRIMARY DIMENSION XX
 ANGOLI Angles 30°
 TOLLERANCE UNLESS OTHERWISE STATED
 QUOTE SENZA TOLLERANZA
 >500 ±0.75
 400-500 ±0.65
 315-400 ±0.60
 250-315 ±0.55
 180-250 ±0.50
 120-180 ±0.45
 80-120 ±0.40
 50-80 ±0.35
 30-50 ±0.30
 18-30 ±0.25
 10-18 ±0.20
 5-10 ±0.15
 0-5 ±0.10
 LUNGH. E DIAM. LENGTH AND DIAM. mm
 FORM.A-2



15	TASTO_ON_OFF_SCALDAVIVANDE	1	TASTO_ON_OFF	ON/OFF BUTTON
14	RESISTENZA	2	RESISTENZA	RESISTENCE
13	RA11	4	STAFFA FISSAGGIO AL TAVOLO	FIXING BRACKET
12	QA40	4	COPRITESTA 40x40x6	PLASTIC HEAD COVER
11	PASSACAVO_9_5	1	PASSACAVO 9-5	FAIRLEAD 9-5
10	NT14166	1	GAMBA QUADRA H70 PASSACAVO SCALDAVIVANDE	FAIRLEAD SQUARE LEG H70
9	NT14165	3	GAMBA QUADRA H70 PER SCALDAVIVANDE	SQUARE LEG H70
8	NT3460	1	RIPIANO INF GAMBE QUAD. SCALDAV. 120x35	LOWER SHELF 120x35
7	NT3321	4	SUPP.GAMBE QUADRE INFER.SCALDAVIVANDE P35	LOWER SQUARE LEGS SUPPORT P35
6	NT774	2	COPERTURA RESISTENZA	RESISTENCE COVER
5	NT773	1	SUPP. RESISTENZA INTERNO SCALDAVIVANDE L120	INTERNAL RESISTANCE SUPPORT L120
4	NT772	1	SUPP. RESISTENZA ESTERNO SCALDAVIVANDE L120	SUPPORT FOR EXTERNAL HEATING WARMER L120
3	NT771	1	TRAVERSA DI RINF. INFER. SCALDAVIVANDE L120	LOWER REINFORCEMENT L120
2	NT770	1	TRAVERSA DI RINF. SUPER. SCALDAVIVANDE L120	UPPER REINFORCEMENT L120
1	NT764	1	RIPIANO SUP SCALDAV. 120x35	UPPER SHELF 120x35
ITEM NO	PART NUMBER	QTY	DESCRIPTION	

DATA DATE	MODIF.N. MODIF.NO.	DESCRIZIONE MODIFICHE MODIFICATION DESCRIPTION	DISegnATO DRAWN BY	APPROVATO APPROVED
MODELLO MODEL	RIPIANO DI APPoggio DOPIo RISCALDato H70 CM TABLES TOPS - TOP AND SHELF WITH HEATING H70 CM		DISEGNO N. DRAWING NO. DSRADR12357	SCALA SCALE -
PARTICOLARE DETAIL	SCHEDA TECNICA DATA SHEET		DISEGNATO DRAWN BY M.PAPI	DATA DATE
MATERIALE MATERIAL	SPESs. THICK.	APPROVATO APPROVED	SHEET 2 OF 2	
FINITURA FINISH	PEZZI N. PIECES NO.	SOSTITUISCE IL DIS. N. IT REPLACES DRAWING NO.	ULTIMA EMISS. LAST EDITION	
TRATTAMENTO TREATMENT	COLORE COLOUR	SOSTITUITO DAL DIS. N. REPLACED BY DRAWING NO.		
		RISTOPRO SRL FRAZ. BORGO TUFICO, 47 FABRIANO (AN) ITALY +39.732.043494 WWW.RISTOPRO.COM		

ELABORATO CON SISTEMA CAD DESIGNED BY CADSTEM
 QUOTA PRIMARIA PRIMARY DIMENSION XX
 ANGOLI Angles 30°
 >500 ±0.75
 400-500 ±0.65
 315-400 ±0.60
 250-315 ±0.55
 120-180 ±0.45
 80-120 ±0.40
 50-80 ±0.35
 30-50 ±0.30
 10-18 ±0.25
 5-10 ±0.15
 0-5 ±0.10
 TOLLERANZA UNLESS OTHERWISE STATED
 QUOTE SENZA TOLLERANZA
 LUNGH. E DIAM. LENGTH AND DIAM. mm
 FORM.A-2