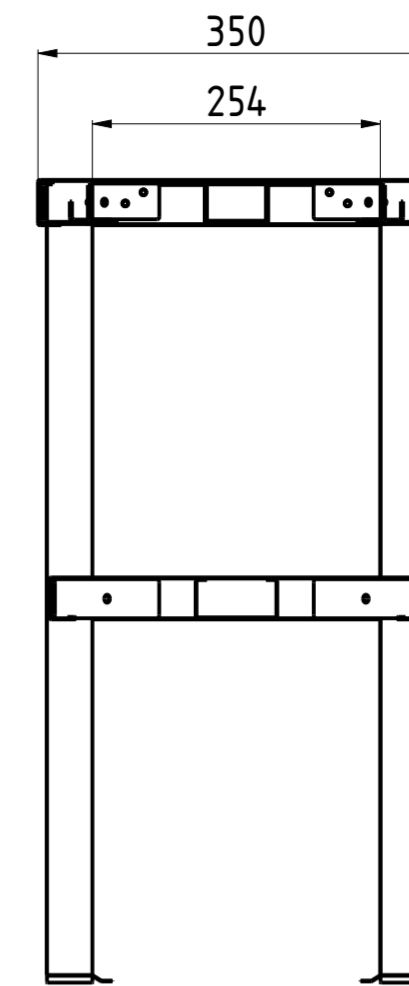
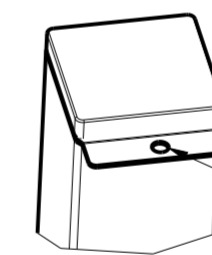
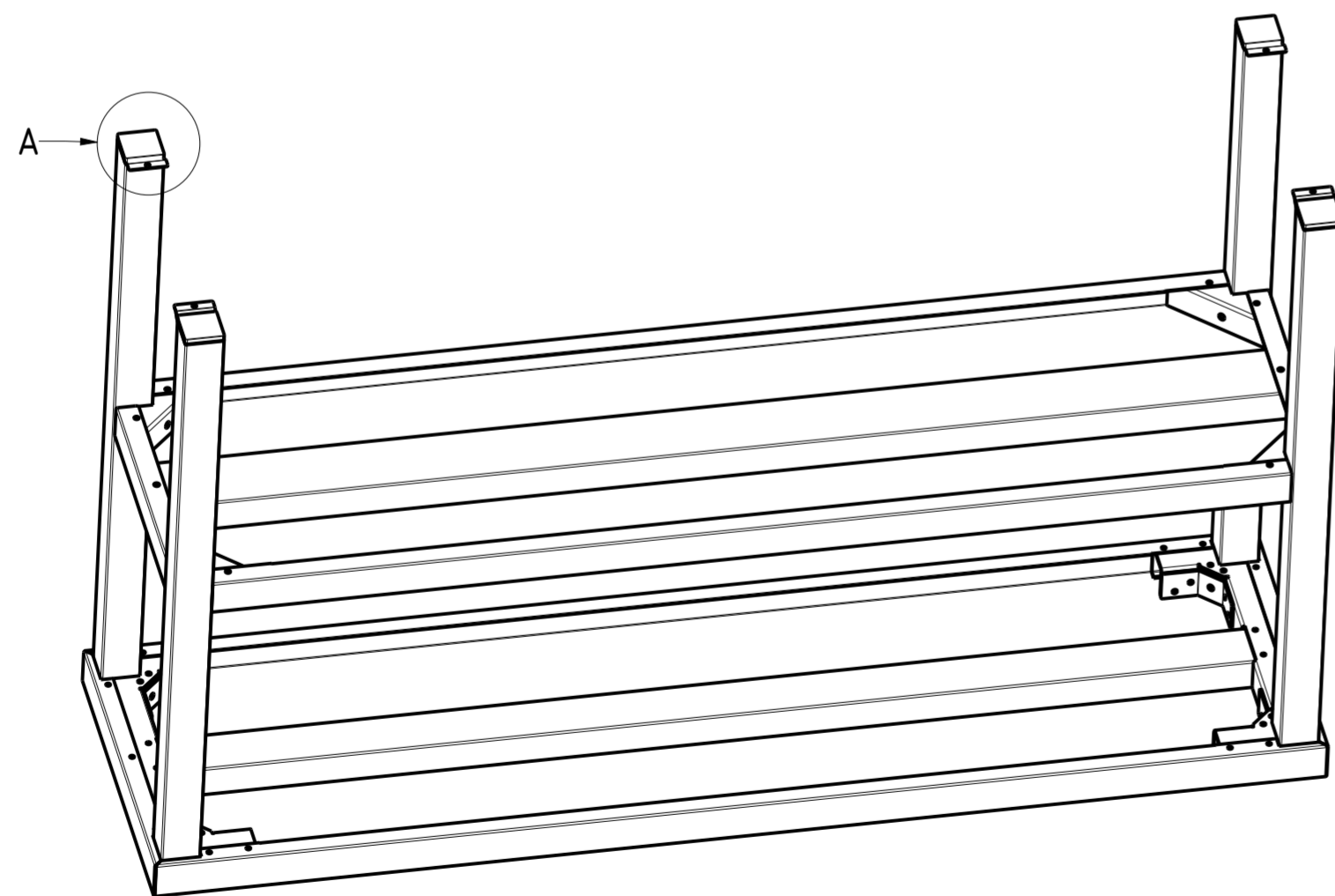


FRONT VIEW 3:20



A-A

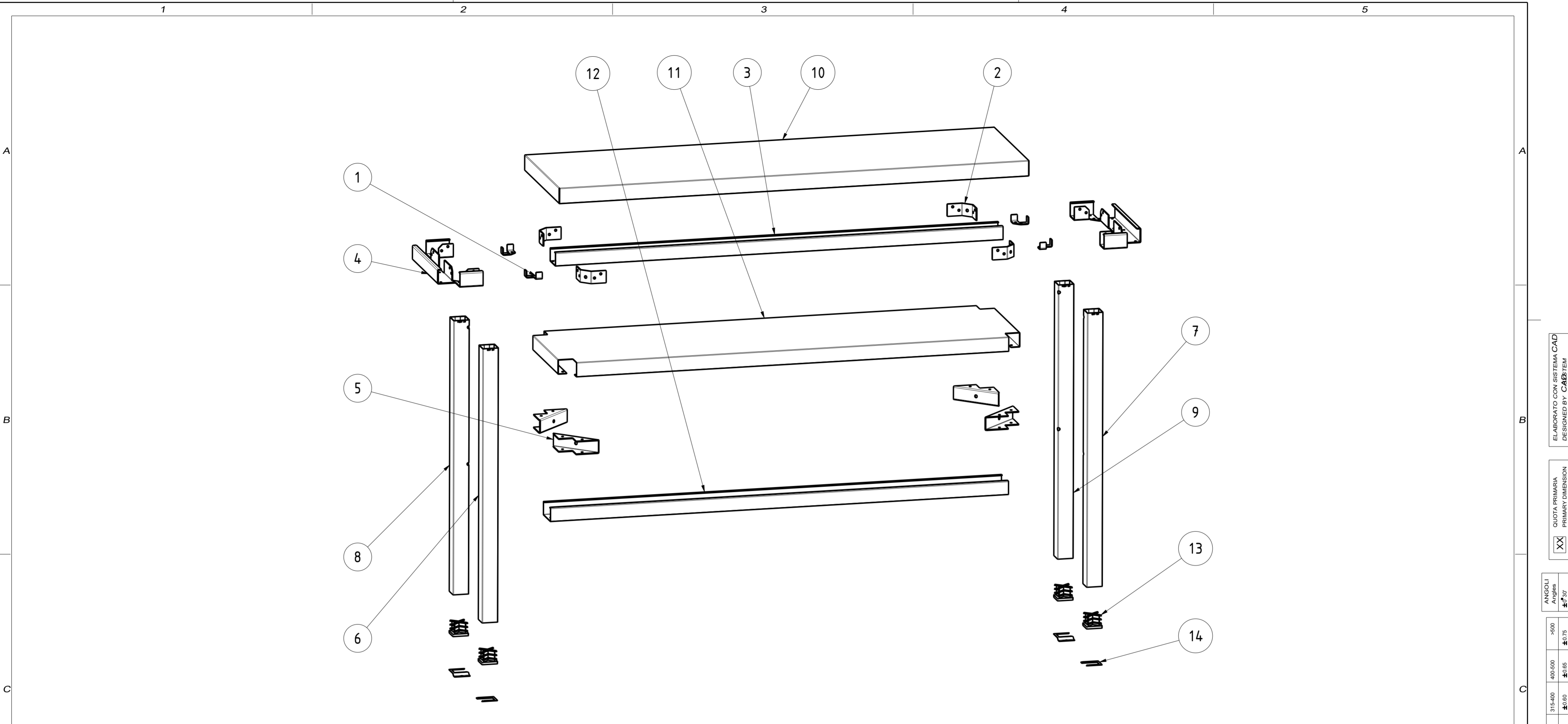


A(1:2)

FIXING

DATA DATE	MODIF. N. MODIF. NO.	DESCRIZIONE MODIFICHE MODIFICATION DESCRIPTION	DISegnATO DRAWN BY	APPROVATO APPROVED
MODELLO MODEL	RIPIANO DI APPOGGIO DOPPIO 120x35x70 TABLES TOP AND SHELF 120x35x70		DISEGNO N. DRAWING NO. DSRAD12357	SCALA SCALE -
PARTICOLARE DETAIL	SCHEDE TECNICHE DATA SHEET		DISEGNATO DRAWN BY M.PAPI	DATA DATE
MATERIALE MATERIAL	SPESS. THICK.	APPROVATO APPROVED	SHEET 2 OF 3	
FINITURA FINISH	PEZZI N. PIECES NO.	SOSTITUISCE IL DIS. N. IT REPLACES DRAWING NO.	ULTIMA EMISS. LAST EDITION	
TRATTAMENTO TREATMENT	COLORE COLOUR	SOSTITUITO DAL DIS. N. REPLACED BY DRAWING NO.		
		RISTOPRO SRL FRAZ. BORGO TUFICO, 47 FABRIANO (AN) ITALY +39.732.043494 WWW.RISTOPRO.COM		 mm
FORM.A-2				

ELABORATO CON SISTEMA CAD DESIGNED BY CADSTEM
 QUOTA PRIMARIA PRIMARY DIMENSION XX
 ANGOLI Angles 30°
 TOLLERANZA UNLESS OTHERWISE STATED
 QUOTE SENZA TOLLERANZA
 >500 ±0.75
 400-500 ±0.65
 315-400 ±0.60
 250-315 ±0.55
 180-250 ±0.50
 120-180 ±0.45
 80-120 ±0.40
 50-80 ±0.35
 30-50 ±0.30
 18-30 ±0.25
 10-18 ±0.20
 5-10 ±0.15
 0-5 ±0.10
 LUNGHEZZE E DIAM. LENGTH AND DIAM.



14	RA11	4	STAFFA FISSAGGIO AL TAVOLO	FIXING BRACKET
13	QA40	4	COPRITESTA 40x40x6	PLASTIC HEAD COVER
12	NT3256	1	L120	MIDDLE SHELF REINFORCEMENT L100
11	NT3255	1	PIANO APPOGGIO INTERMEDIO 120X35	MIDDLE SHELF 100x35
10	NT3007	1	PIANO APPOGGIO TOP 120x35	SUPPORT SHELF 120x35
9	NT2788	1	GAMBA POST DX H70 2FORI TAV SOVRAP 2RIP	RIGHT REAR LEG DOUBLE SUPPORT SHELF H70
8	NT2787	1	GAMBA POST SX H70 2FORI TAV SOVRAP 2RIP	LEFT REAR LEG DOUBLE SUPPORT SHELF H70
7	NT2786	1	GAMBA ANT DX H70 2FORI TAV SOVRAP 2RIP	RIGHT FRONT LEG DOUBLE SUPPORT SHELF H70
6	NT2785	1	GAMBA ANT SX H70 2FORI TAV SOVRAP 2RIP	LEFT FRONT LEG DOUBLE SUPPORT SHELF H70
5	NT1980	4	PIASTRA ANGOLO FIX PIANO FONDO	CORNER PLATE FIXING SHELF BOTTOM
4	NT1758	2	SUPPORTO LATERALE PER FIX. GAMBE P35	LATERAL SUPPORT FIXING LEGS P35
3	NT819	1	OMEGA RINF. PIANO TOP L120	SHELF REINFORCEMENT L120
2	NT233	4	RINFORZO ANGOLO SUPP. LATER.	SIDE CORNER REINFORCEMENT
1	NT232	4	PIASTRINO SPESSORE RINF. ANGOLO CORN.	CORNER REINFORCEMENT
ITEM NO	PART NUMBER	QTY	DESCRIPTION	

DATA DATE	MODIF. N. MODIF. NO.	DESCRIZIONE MODIFICHE MODIFICATION DESCRIPTION	DISEGNATO DRAWN BY	APPROVATO APPROVED
MODELLO MODEL		RIPIANO DI APPOGGIO DOPPIO 120x35x70 TABLES TOP AND SHELF 120x35x70	DISEGNO N. DRAWING NO. DSRAD12357	SCALA SCALE -
PARTICOLARE DETAIL		SCHEDA TECNICA DATA SHEET	DISEGNATO DRAWN BY M.PAPI	DATA DATE
MATERIALE MATERIAL		SPESS. THICK.	APPROVATO APPROVED	SHEET 3 OF 3
FINITURA FINISH		PEZZI N. PIECES NO.	SOSTITUISCE IL DIS. N. IT REPLACES DRAWING NO.	ULTIMA EMISS. LAST EDITION
TRATTAMENTO TREATMENT		COLORE COLOUR	SOSTITUITO DAL DIS. N. REPLACED BY DRAWING NO.	
		RISTOPRO SRL FRAZ. BORGO TUFICO, 47 FABRIANO (AN) ITALY +39.732.043494 WWW.RISTOPRO.COM		 mm

QUOTE SENZA TOLLERANZA TOLERANCE UNLESS OTHERWISE STATED
 QUOTE WITHOUT TOLERANCE
 QUOTA PRIMARIA DESIGNED BY CAD SYSTEM
 PRIMARY DIMENSION
 XX
 ANGOLI Angles
 30° ±0.30°
 >500 ±0.75
 400-500 ±0.65
 315-400 ±0.60
 250-315 ±0.55
 120-180 ±0.45
 80-120 ±0.40
 50-80 ±0.35
 30-50 ±0.30
 18-30 ±0.25
 10-18 ±0.20
 5-10 ±0.15
 0-5 ±0.10
 LUNGHEZZE E DIAM. LENGTH AND DIAM.