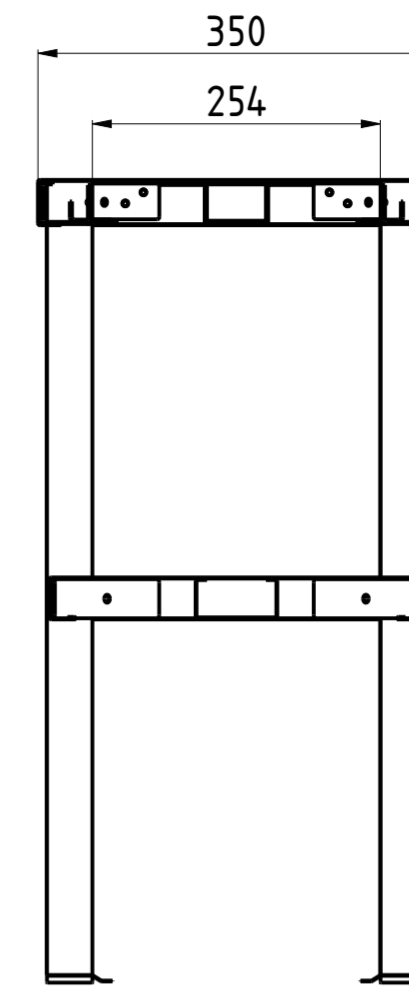
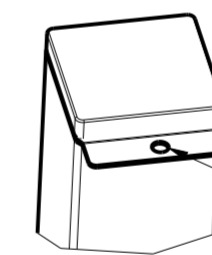
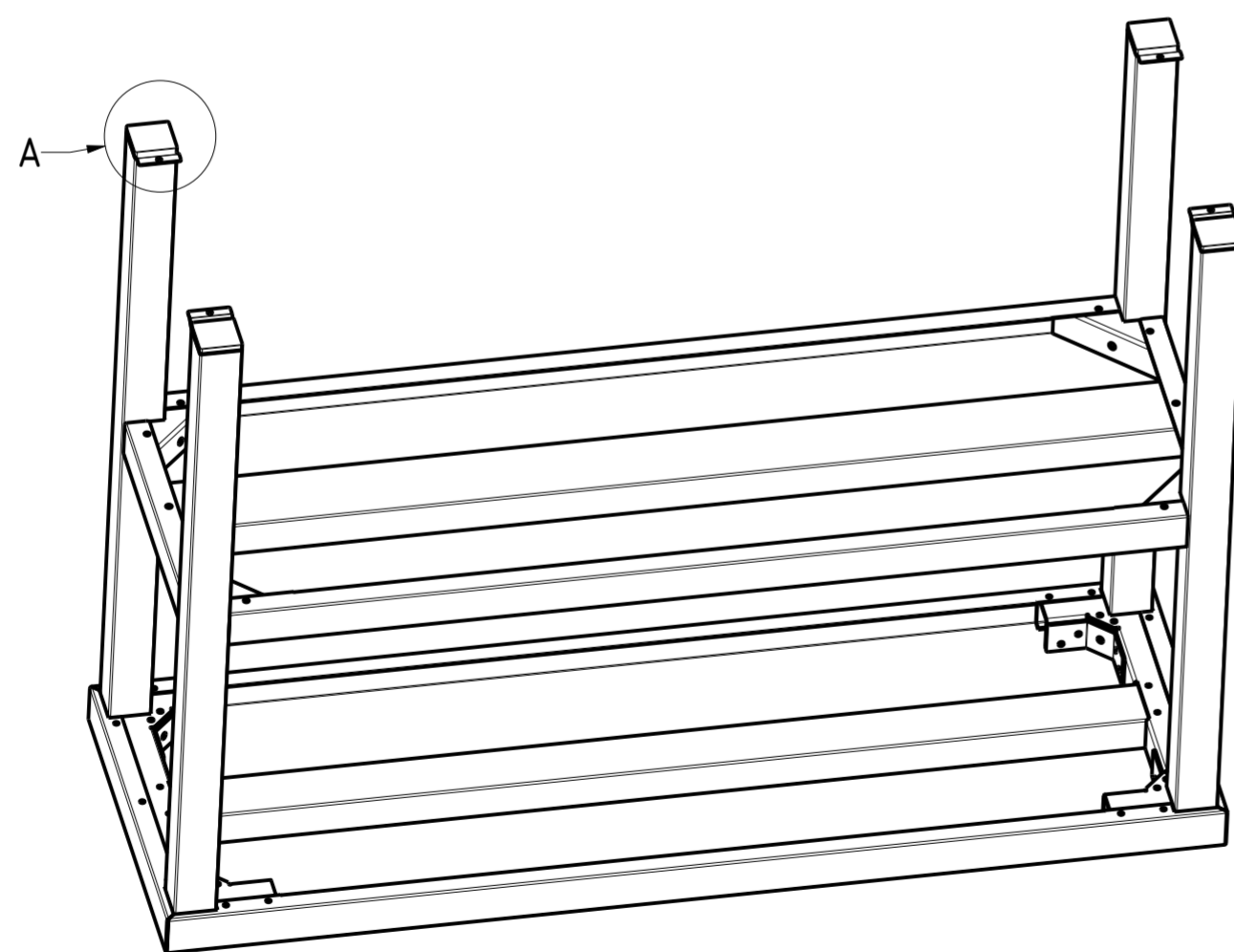


FRONT VIEW 3:20



A-A



A(1:2)

FIXING

DATA DATE	MODIF. N. MODIF. NO.	DESCRIZIONE MODIFICHE MODIFICATION DESCRIPTION	DISegnATO DRAWN BY	APPROVATO APPROVED
MODELLO MODEL	RIPIANO DI APPOGGIO DOPPIO 100x35x70 TABLES TOP AND SHELF 100x35x70		DISEGNO N. DRAWING NO. DSRAD10357	SCALA SCALE -
PARTICOLARE DETAIL	SCHEDE TECNICA DATA SHEET		DISEGNATO DRAWN BY M.PAPI	DATA DATE
MATERIALE MATERIAL	SPESS. THICK.	APPROVATO APPROVED	SHEET 2 OF 3	
FINITURA FINISH	PEZZI N. PIECES NO.	SOSTITUISCE IL DIS. N. IT REPLACES DRAWING NO.		ULTIMA EMISS. LAST EDITION
TRATTAMENTO TREATMENT	COLORE COLOUR	SOSTITUITO DAL DIS. N. REPLACED BY DRAWING NO.		
		RISTOPRO SRL FRAZ. BORGO TUFICO, 47 FABRIANO (AN) ITALY +39.732.043494 WWW.RISTOPRO.COM		 mm

ELABORATO CON SISTEMA CAD
DESIGNED BY CADSTEM

QUOTA PRIMARIA
PRIMARY DIMENSION
XX

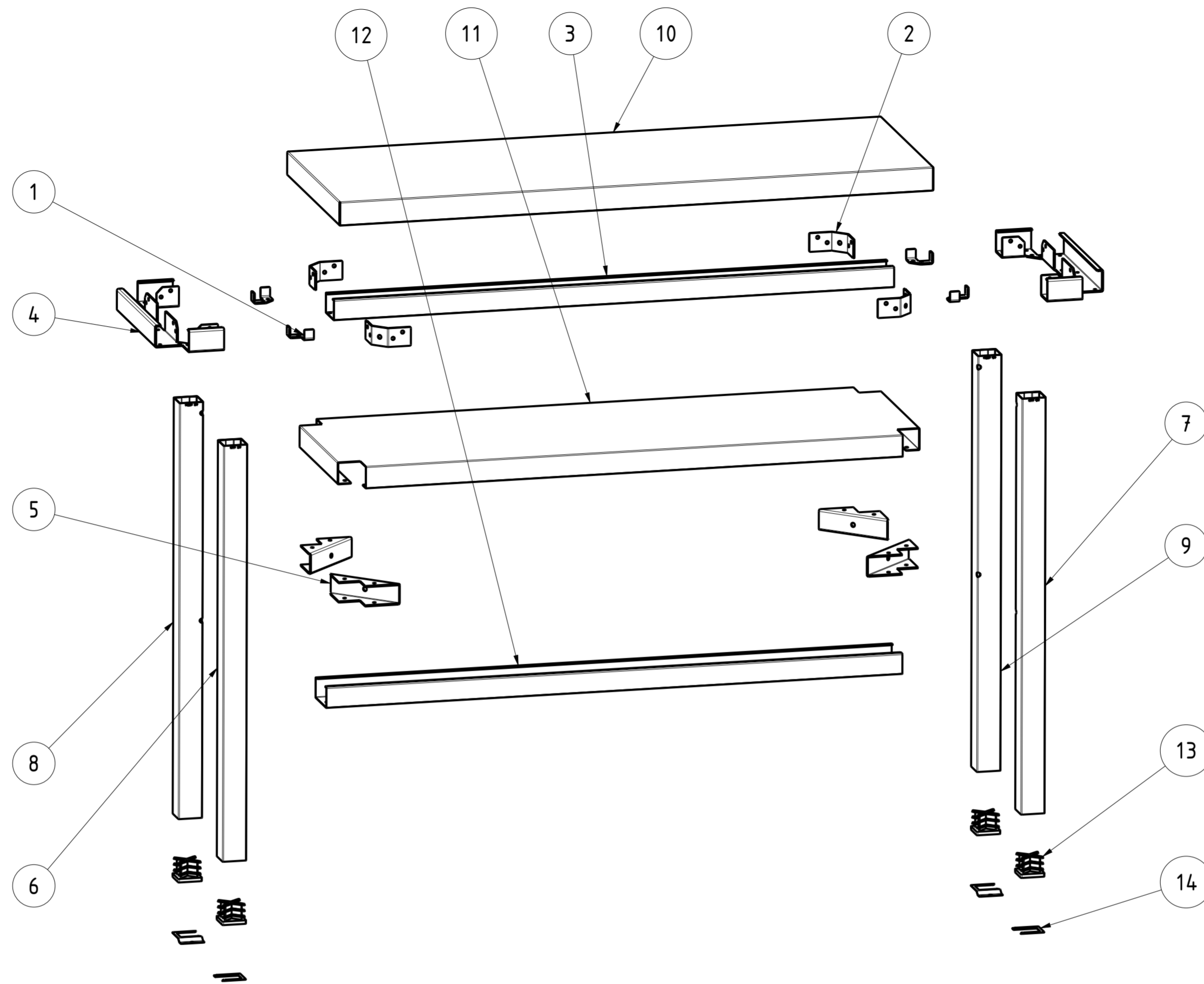
ANGOLI
Angles
±0°30'

TOLLERANZA UNLESS OTHERWISE STATED

>500	±0.75
400-500	±0.65
315-400	±0.60
250-315	±0.55
180-250	±0.50
120-180	±0.45
80-120	±0.40
50-80	±0.35
30-50	±0.30
18-30	±0.25
10-18	±0.20
5-10	±0.15
0-5	±0.10

LUNGHEZZE E DIAMETRI
LENGTH AND DIAM.

FORM.A-2



ITEM NO	PART NUMBER	QTY	DESCRIPTION	
14	RA11	4	STAFFA FISSAGGIO AL TAVOLO	FIXING BRACKET
13	QA40	4	COPRITESTA 40x40x6	PLASTIC HEAD COVER
12	NT2793	1	OMEGA RINF. PIANO INTERMEDIO L100	MIDDLE SHELF REINFORCEMENT L100
11	NT2792	1	PIANO APPOGGIO INTERMEDIO 100x35	MIDDLE SHELF 100x35
10	NT2790	1	PIANO APPOGGIO TOP 100x35	SUPPORT SHELF 100x35
9	NT2788	1	GAMBA POST DX H70 2FORI TAV SOVRAP 2RIP	RIGHT REAR LEG DOUBLE SUPPORT SHELF H70
8	NT2787	1	GAMBA POST SX H70 2FORI TAV SOVRAP 2RIP	LEFT REAR LEG DOUBLE SUPPORT SHELF H70
7	NT2786	1	GAMBA ANT DX H70 2FORI TAV SOVRAP 2RIP	RIGHT FRONT LEG DOUBLE SUPPORT SHELF H70
6	NT2785	1	GAMBA ANT SX H70 2FORI TAV SOVRAP 2RIP	LEFT FRONT LEG DOUBLE SUPPORT SHELF H70
5	NT1980	4	PIASTRA ANGOLO FIX PIANO FONDO	CORNER PLATE FIXING SHELF BOTTOM
4	NT1758	2	SUPPORTO LATERALE PER FIX. GAMBE P35	LATERAL SUPPORT FIXING LEGS P35
3	NT818	1	OMEGA RINF. PIANO TOP L100	SHELF REINFORCEMENT L100
2	NT233	4	RINFORZO ANGOLO SUPP. LATER.	SIDE CORNER REINFORCEMENT
1	NT232	4	PIASTRINO SPESSORE RINF. ANGOLO CORN.	CORNER REINFORCEMENT

DATA DATE	MODIF. N. MODIF. NO.	DESCRIZIONE MODIFICHE MODIFICATION DESCRIPTION	DESEGNA TO DRAWN BY	APPROVATO APPROVED
MODELLO MODEL		RIPIANO DI APPOGGIO DOPPIO 100x35x70 TABLES TOP AND SHELF 100x35x70	DISEGNO N. DRAWING NO. DSRAD10357	SCALA SCALE -
PARTICOLARE DETAIL		SCHEDA TECNICA DATA SHEET	DISEGNATO DRAWN BY M.PAPI	DATA DATE
MATERIALE MATERIAL		SPESS. THICK.	APPROVATO APPROVED	SHEET 3 OF 3
FINITURA FINISH		PEZZI N. PIECES NO.	SOSTITUISCE IL DIS. N. IT REPLACES DRAWING NO.	ULTIMA EMISS. LAST EDITION
TRATTAMENTO TREATMENT		COLORE COLOUR	SOSTITUITO DAL DIS. N. REPLACED BY DRAWING NO.	

RISTOPRO
 PROFESSIONAL CATERING EQUIPMENT

RISTOPRO SRL
 FRAZ. BORGO TUFICO, 47 FABRIANO (AN)
 ITALY +39.732.043494
 WWW.RISTOPRO.COM

mm

FORM.A-2

TOLLERANZA UNLESS OTHERWISE STATED
 QUOTE SENZA TOLLERANZA
 TOLERANCE UNLESS OTHERWISE STATED
 QUOTE WITHOUT TOLERANCE
 ELABORATO CON SISTEMA CAD
 DESIGNED BY CAD/STEM
 QUOTA PRIMARIA
 PRIMARY DIMENSION
 XX
 ANGOLI
 Angles
 >500 ±0.75
 400-500 ±0.65
 315-400 ±0.60
 250-315 ±0.55
 120-180 ±0.45
 80-120 ±0.40
 50-80 ±0.35
 30-50 ±0.30
 10-18 ±0.25
 5-10 ±0.15
 0-5 ±0.10
 LUNGH. E DIAM.
 LENGTH AND DIAM.