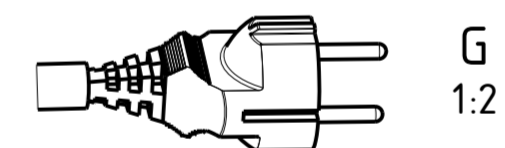
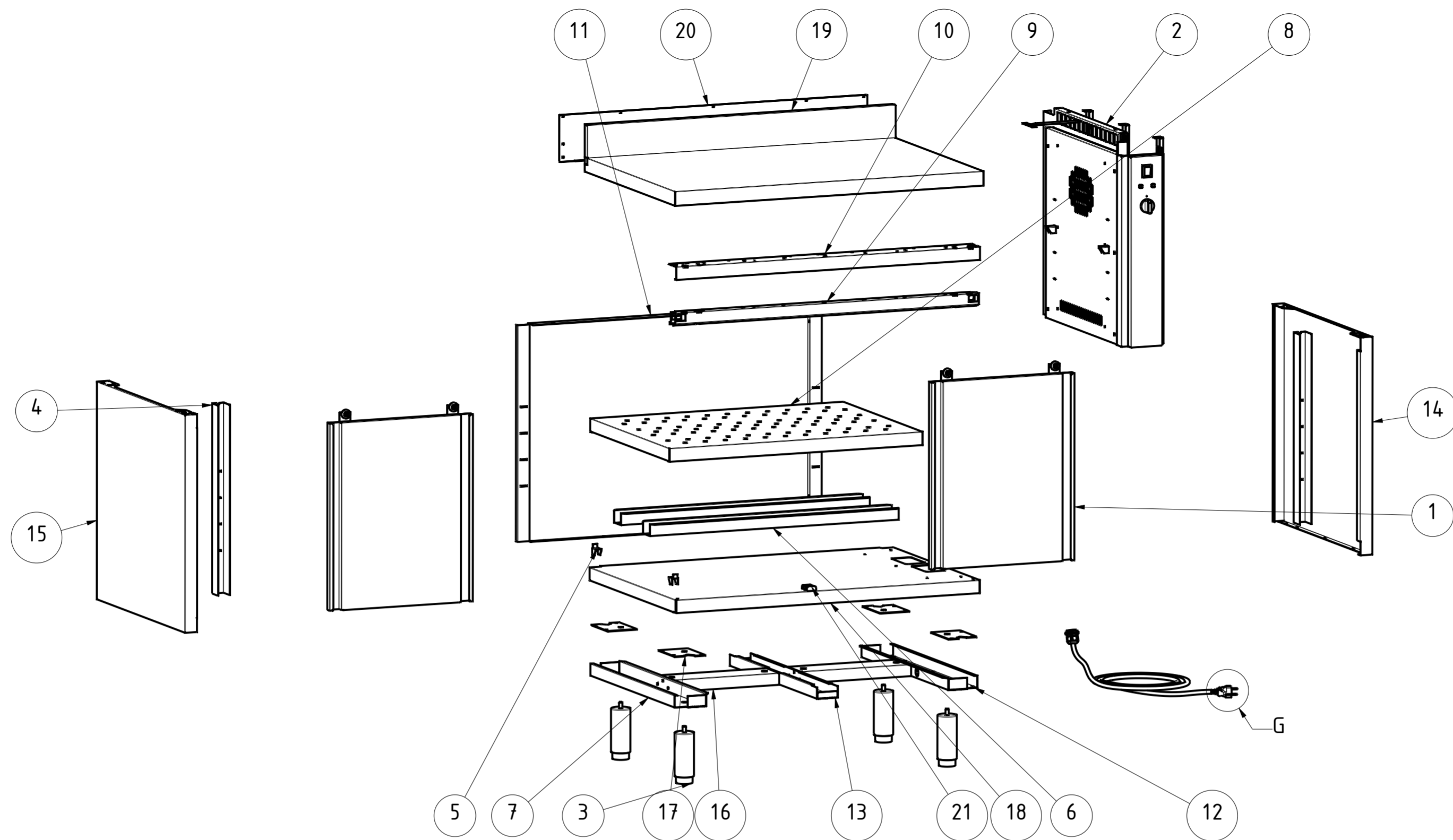


EXPLOSIONSZEICHNUNG



KBS Gastrotechnik GmbH – Schoßbergstraße 26 – 65201 Wiesbaden



21	TACCHDSTA	2	TACCHETTO GUIDA PORTE	SLIDING DOOR GUIDE
20	NT4009Q	1	CHIUSURA ALZATINA TOP Q L100	UPSTAND BACK TOP Q L100
19	NT3962Q	1	TOP Q CON ALZATINA 100x70	TOP Q UPSTAND 100x70
18	NT5633	1	PIANO BASE CALDO 100x70	BASE SHELF 100x70
17	NT4144	4	PIASTRA RIV PIEDINO PORTA BATTENTE	PLATE EXTERNAL LEG HINGED DOOR
16	NT4056	2	OMEGA LONGITUDINALE (DIV.2) L100	LONGITUDINAL OMEGA L100
15	NT4044	1	PANNELLO LATERALE SX P70 H85	LEFT SIDE PANEL P70 H85
14	NT4043	1	PANNELLO LATERALE DX CALDO P70 H85	RIGHT SIDE PANEL P70 H85
13	NT4033	1	OMEGA CENTR RIV. PIANO BASE P70	CENTRAL OMEGA BASE SHELF P70
12	NT4032	1	OMEGA LATERALE PIANO BASE TAVOLO CALDO P70	LATERAL OMEGA BASE SHELF HOTTED P70
11	NT3628	1	SCHIENALE L100 H85	BACK L100 H85
10	NT3588	1	ANGOLARE SUPP. BINARIO L100	ANGULAR BINARY SUPPORT L100
9	NT3577	1	BINARIO TAVOLI ARMADIATI L100	BINARY L100
8	NT2509	1	PIANO INTERNO REGOLABILE TAC 100x70	INTERNAL ADJUSTABLE SHELF TAC 100x70
7	NT2450	1	OMEGA LATERALE PIANO BASE P70	LATERAL OMEGA BASE SHELF P70
6	NT919	2	OMEGA RINFORZO PIANO INTERNO TAC TACP L100	OMEGA SHELF RENINFORCEMENT L100
5	NT330	2	STAFFA SUPPORTO RIPIANO INTERNO	GANCRIIP - INTERNAL SHELF SUPPORT BRACKET
4	NT101	2	MONTANTE ASOLATO PER LATERALI H85	SLOTTED UPRIGHT H85
3	DSPIEDTA	4	PIEDINO PER TAVOLI ARMADIATI	FOOT FOR CABINET TABLES
2	ASS_GRUPPO_CALDO_70_PSH	1	ASSIEME GRUPPO CALDO P70 SCHUKO	HOT GROUP ASSEMBLY P70 SCHUKO
1	APS_L100_H85_HOT	2	ASSIEME PORTE SCORREVOLI L100 H85 TAV CALDO	SLIDING DOORS ASSEMBLY HEATED L100 H85
ITEM NO	PART NUMBER	QTY	DESCRIPTION	

DATA DATE	MODIF. N. MODIF. NO.	DESCRIZIONE MODIFICHE MODIFICATION DESCRIPTION	DESEGATO DRAWN BY	APPROVATO APPROVED
MODELLO MODEL		TAVOLO ARMADIATO CALDO 100x70 SCHUKO ALZATINA HOT TABLE CABINET 100x70 SCHUKO UPSTAND	DESIGNO N. DRAWING NO.	DSTAC107APSH
PARTICOLARE DETAIL		ESPLOSO EXPLODED VIEW	DESIGNATO DRAWN BY	M.PAPI
MATERIALE MATERIAL		SPESS. THICK -	APPROVATO APPROVED	SHEET 3 OF 3
FINITURA FINISH		PEZZI N. PIECES NO.	SOSTITUISCE IL DIS. N. IT REPLACES DRAWING NO.	ULTIMA EMISS. LAST EDITION
TRATTAMENTO TREATMENT		COLORE COLOUR	SOSTITUITO DAL DIS. N. REPLACED BY DRAWING NO.	
RISTOPRO PROFESSIONAL CATERING EQUIPMENT		RISTOPRO SRL FRAZ. BORGO TUFICO, 47 FABRIANO (AN) ITALY +39.732.043494 WWW.RISTOPRO.COM		mm

ELABORATO CON SISTEMA CAD
DESIGNED BY SYSTEMCAD

QUOTA PRIMARIA
PRIMARY DIMENSION
XX

ANGOLI
Angles
30°

TOLLERANZE UNLESS OTHERWISE STATED

>300	±0,15
100-300	±0,05
30-100	±0,10
20-30	±0,05
10-20	±0,05
5-10	±0,15
0-5	±0,10

QUOTE SENZA TOLLERANZA
DIMENSIONI SENZA TOLLERANZA
DIMENSIONS WITHOUT TOLERANCES
FORM A-2