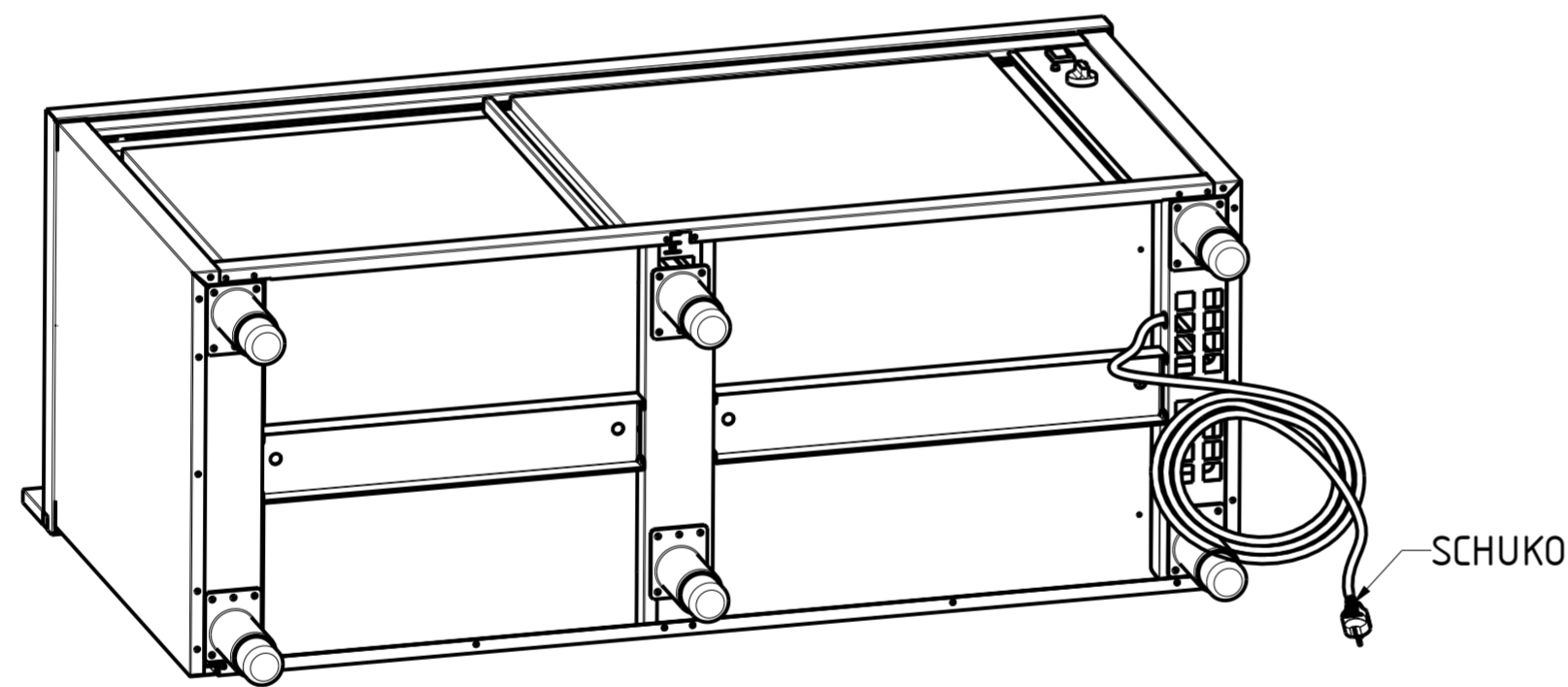
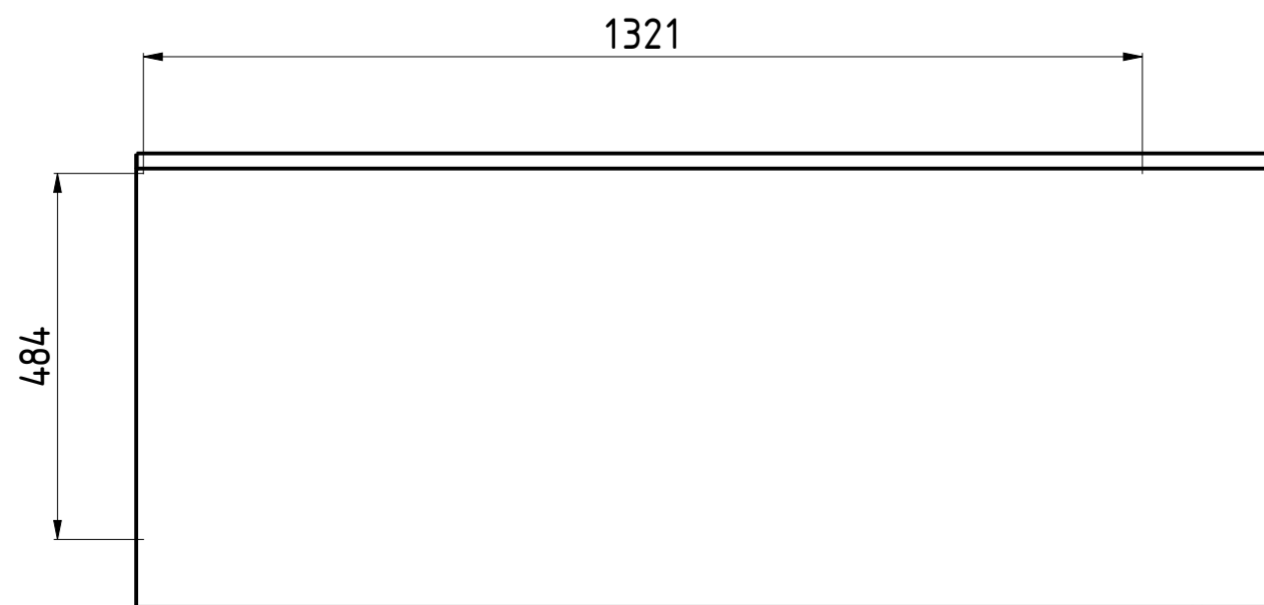


FRONT VIEW C-C 1:10

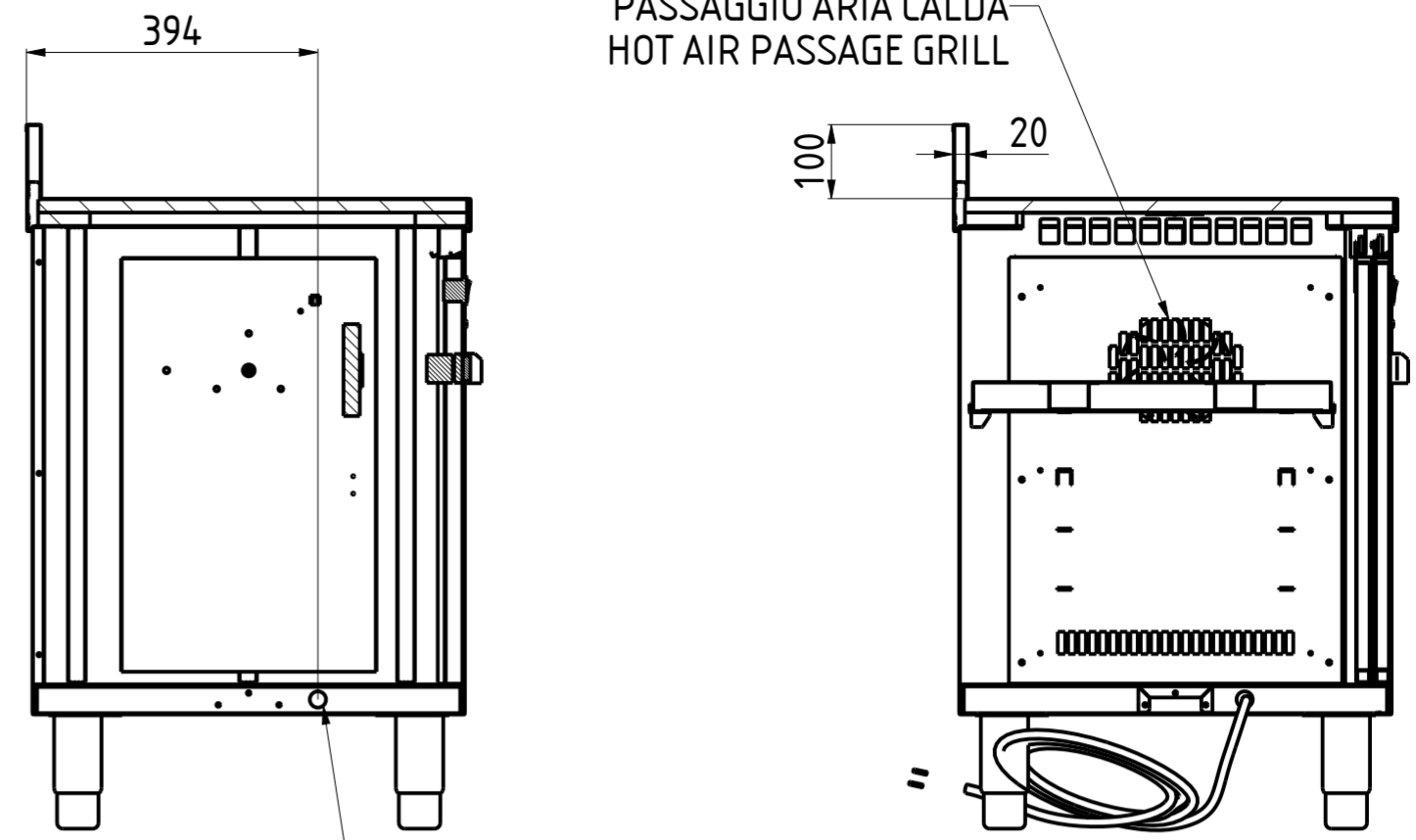
1488



BOTTOM VIEW 1:10

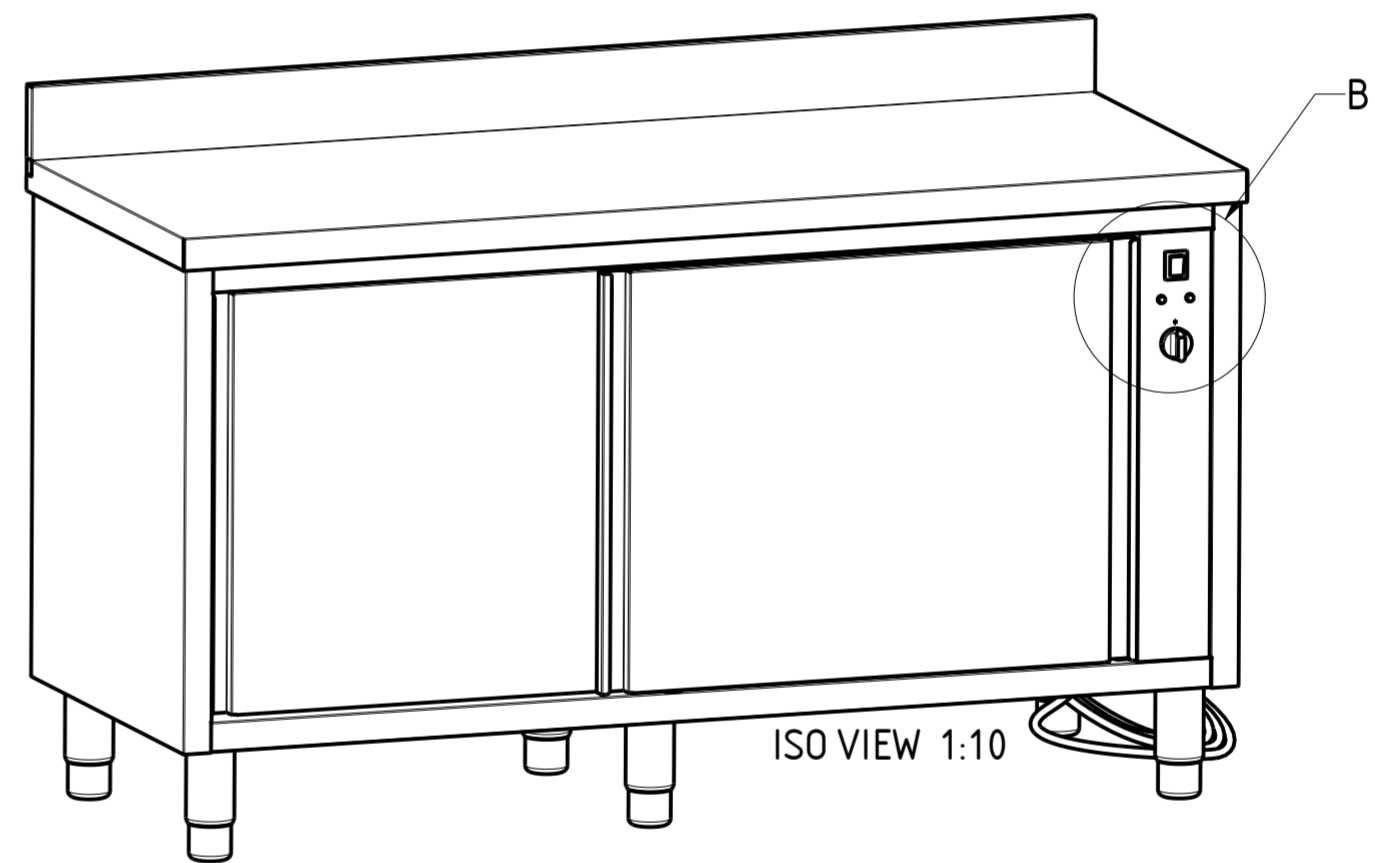


INTERNAL DIM D-D



E-E USCITA MODULO CALDO
POWER SUPPLY OUTPUT

A-A

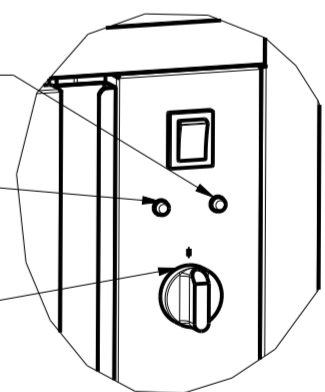


ISO VIEW 1:10

SPIA VERDE - TAVOLO ALLA TEMP. DESIDERATA
GREEN LIGHT - CABINET AT THE DESIRED TEMP.

SPIA ROSSA - IN RISCALDAMENTO
RED LIGHT - DURING THE HEATING

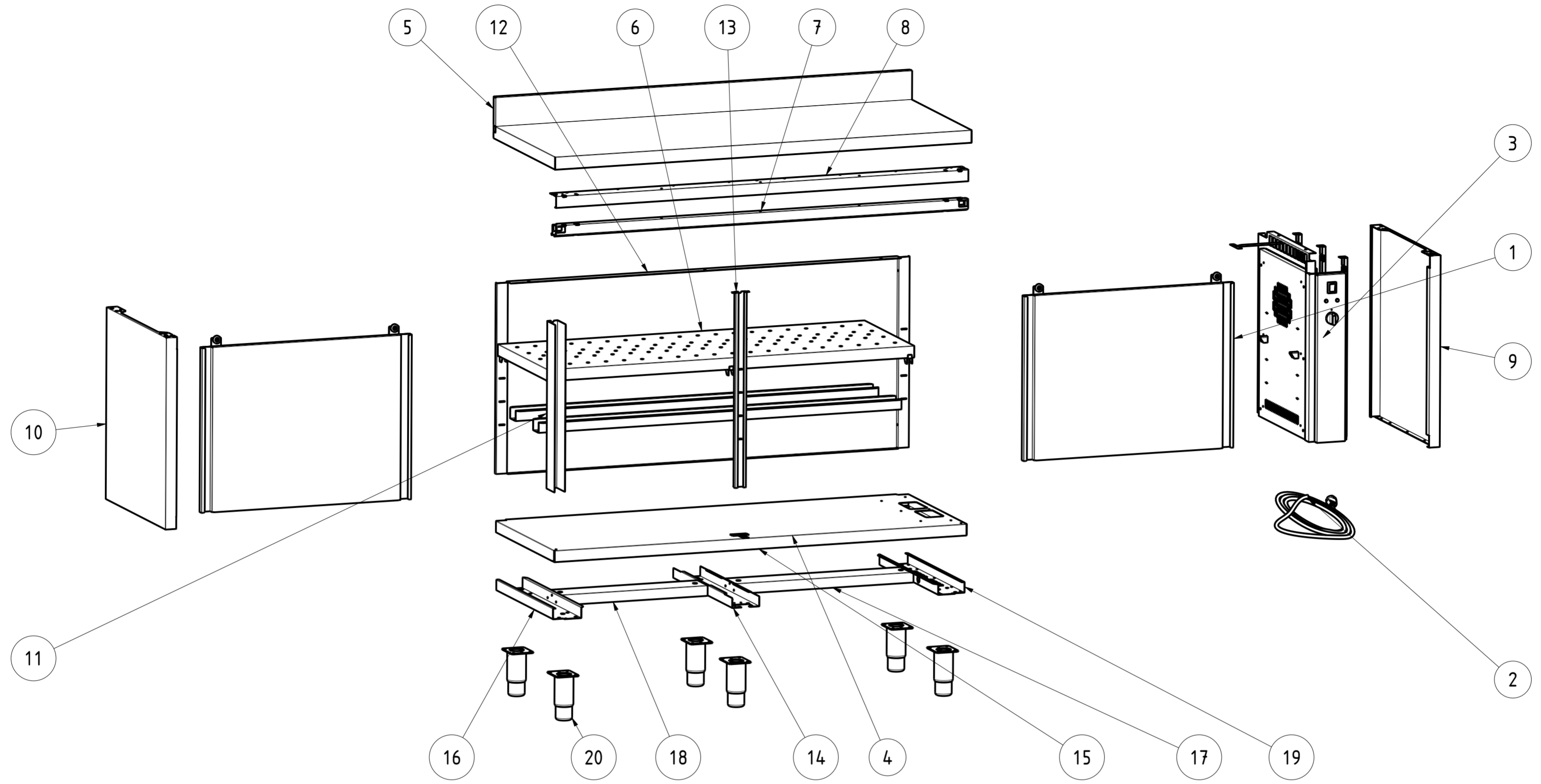
REGOLAZIONE TEMPERATURA 30/90
TEMP SETTING 30/90



B(1:5)

DATA	MODIF. N.	DESCRIZIONE MODIFICHE	DISegnATO	APPROVATO
DATE	MODIF. NO.	MODIFICATION DESCRIPTION	DRAWN BY	APPROVED
-	-	-	-	-
MODELLO	TAV ARM CALDO PRESA SCHUKO 150x60 ALZATINA		DISegno N.	SCALA
MODEL	REINFORCED TABLE CABINET		DRAWING NO.	SCALE
PARTICOLARE	SCHEDA TECNICA		DISegnATO	DATA
DETAIL	DATA SHEET		DRAWN BY	DATE
MATERIALE	SPES.	APPROVATO	APPROVATO	SHEET
MATERIAL	THICK.	APPROVED	APPROVED	1 OF 2
FINITURA	PEZZI N.	SOSTITUISCE IL DIS. N.	ULTIMA EMISS.	
FINISH	PIECES NO.	IT REPLACES DRAWING NO.	LAST EDITION	
TRATTAMENTO	COLORE	SOSTITUITO DAL DIS. N.	REPLACED BY DRAWING NO.	
TREATMENT	COLOUR	REPLACED BY DRAWING NO.		
		RISTOPRO SRL FRAZ. BORGO TUFICO, 47 FABRIANO (AN) ITALY +39.732.043494 WWW.RISTOPRO.COM		
FORM.A-2				

ELABORATO CON SISTEMA CAD
 DESIGNED BY CAD/STEM
 QUOTA PRIMARIA
 PRIMARY DIMENSION
 XX
 ANGOLI
 Angles
 >30°
 $\pm 0,30^{\circ}$
 >500
 $\pm 0,75$
 400-500
 $\pm 0,65$
 315-400
 $\pm 0,60$
 250-315
 $\pm 0,55$
 180-250
 $\pm 0,50$
 120-180
 $\pm 0,45$
 80-120
 $\pm 0,40$
 50-80
 $\pm 0,35$
 30-50
 $\pm 0,30$
 18-30
 $\pm 0,25$
 10-18
 $\pm 0,20$
 5-10
 $\pm 0,15$
 0-5
 $\pm 0,10$
 LUNGHEZZE E DIAM.
 LENGTH AND DIAM.
 mm



20	PIEDINO_PN540	6	PIEDINO ARMADIATO 5 FORI	—
19	NT4277-01	1	OMEGA LATERALE PIANO BASE TAVOLO CALDO P60	LATERAL OMEGA BASE SHELF HOTTED P60
18	NT4030-01	1	OMEGA LONGITUDINALE (DIV.2) L140	LONGITUDINAL OMEGA L140
17	NT4029-01	1	OMEGA LONGITUDINALE L160	LONGITUDINAL OMEGA L160
16	NT2351-01	1	OMEGA LATERALE PIANO BASE P60	LATERAL OMEGA BASE SHELF P60
15	NT20730-01	1	PIANO BASE 1 OMEGA RINF. CENTR. CALDO 150x60	BASE SHELF 150x60
14	NT19622-01	1	OMEGA CENTR. PIANO BASE P60 - 2 PIEDI RINF. CENTR. KB	CENTRAL OMEGA BASE SHELF P60 - 2 FEET KB
13	NT19366-01_1MM	1	RINFORZO CENTRALE KB	CENTRAL REINFORCEMENT
12	NT20561	1	SCHIENALE RINF. CENTR. KB L150 H85 CALDO	BACK L150 H85
11	NT15023	1	MONTANTE RINF. CENTR. H85	CENTRAL REINFORCEMENT UPRIGHT
10	NT4042	1	PANNELLO LATERALE SX P60 H85	LEFT SIDE PANEL P60 H85
9	NT4041	1	PANNELLO LATERALE DX CALDO P60 H85	RIGHT SIDE PANEL P60 H85
8	NT3593	1	ANGOLARE SUPP. BINARIO L150	ANGULAR BINARY SUPPORT L150
7	NT3582	1	BINARIO TAVOLI ARMADIATI L150	BINARY L150
6	DSRITA_KB_SP_C_150X60	1	ASS RIPIANO INTERNO TAVOLI ARM RINF. CENTR. CALDO 150x60	INTERNAL SHELF FOR TABLE CABINET 240x90
5	ASS_TOP_Q_150X60A	1	ASSIEME TOP Q CON ALZATINA 150x60	ASSEMBLY TOP Q WITH UPSTAND 150x60
4	ASS_PBTA_KB_SP-01_C_150X60	1	ASS PIANO BASE KBS 150x60 CALDO RINF. CENTR.	TABLE/SINK BASE SHELF ASSEMBLY 240x90 8P
3	ASS_GRUPPO_CALDO_60	1	ASSIEME GRUPPO CALDO P60	HOT GROUP ASSEMBLY P60
2	ASS_CAVO_SCHUKO_2	1	CAVO SCHUKO	SCHUKO CABLE
1	APS_L150_H85	2	ASSIEME PORTE SCORREVOLI L150 H85	SLIDING DOORS ASSEMBLY L150 H85
ITEM NO	PART NUMBER	QTY	DESCRIPTION	

DATA	MODIF. N.	DESCRIZIONE MODIFICHE	DISEGNATO	APPROVATO
DATE	MODIF. NO.	MODIFICATION DESCRIPTION	DRAWN BY	APPROVED
MODELLO	TAV ARM CALDO PRESA SCHUKO 150x60 ALZATINA		DISSEGNO N.	SCALA
MODEL	REINFORCED TABLE CABINET		DRAWING NO.	KBDSTAC156APSHSP
PARTICOLARE	SCHEDA TECNICA		DISEGNATO	DATA
DETAIL	DATA SHEET		DRAWN BY	DATE
MATERIALE	SPESS.	APPROVATO	SHEET	
MATERIAL	THICK.	APPROVED	2 OF 2	
FINITURA	PEZZI N.	SOSTITUISCE IL DIS. N.	ULTIMA EMISS.	
FINISH	PIECES NO.	IT REPLACES DRAWING NO.	LAST EDITION	
TRATTAMENTO	COLORE	SOSTITUITO DAL DIS. N.	REPLACED BY DRAWING NO.	
TREATMENT	COLOR	REPLACED BY DRAWING NO.		
RISTOPRO		RISTOPRO SRL		
PROFESSIONAL CATERING EQUIPMENT		FRAZ. BORGO TUFICO, 47 FABRIANO (AN)		
		ITALY +39.732.043494		
		WWW.RISTOPRO.COM		mm

QUOTE SENZA TOLLERANZA TOLLERANCE UNLESS OTHERWISE STATED
 QUOTA PRIMARIA ELABORATO CON SISTEMA CAD DESIGNED BY CADSTEM
 QUOTA PRIMARIA PRIMARY DIMENSION
 ANGOLI Angles
 >500 ±0.75
 400-500 ±0.65
 315-400 ±0.60
 250-315 ±0.55
 180-250 ±0.50
 120-180 ±0.45
 80-120 ±0.40
 50-80 ±0.35
 30-50 ±0.30
 10-30 ±0.25
 5-10 ±0.15
 0-5 ±0.10
 LUNGH. E DIAM. LENGTH AND DIAM.
 FORM.A-2