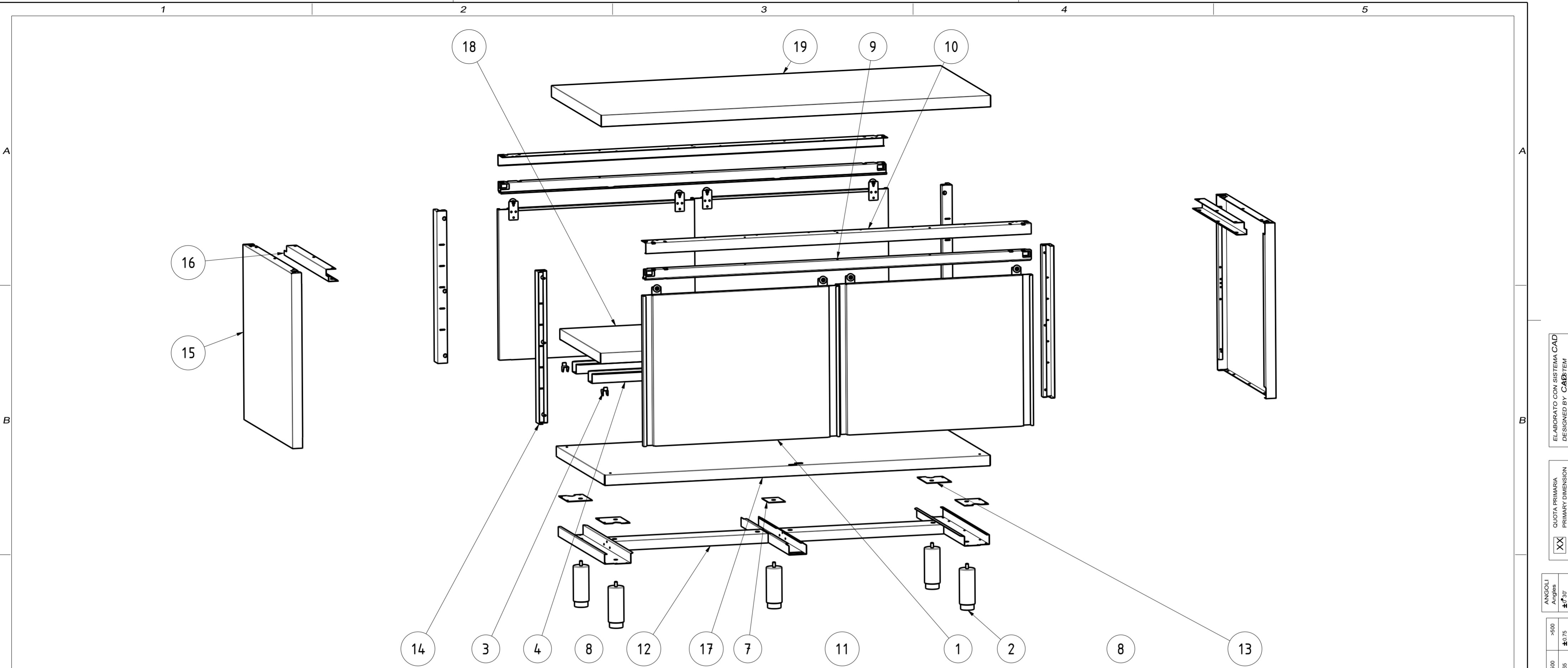


# EXPLOSIONSZEICHNUNG



KBS Gastrotechnik GmbH – Schoßbergstraße 26 – 65201 Wiesbaden



19	NT3937Q	1	TOP Q 150x70	TOP Q 150x70
18	NT13346	1	PIANO INTERNO REGOLABILE TAP TF 150x70	INTERNAL ADJUSTABLE SHELF TAP 150x70
17	NT4420	1	PIANO BASE TAP 150x70	BASE SHELF TAP 150x70
16	NT4151	2	COLLEGAMENTO MONTANTI P70	UPRIGHT CONNECTION P70
15	NT4149	2	FIANCO DX/SX TAVOLO SU FIANCHI/PASSANTE P70	RIGHT/LEFT SIDE TABLE ON SIDES P70
14	NT4147	4	MONTANTE ASOLATO	HOLED UPRIGHT
13	NT4144	4	PIASTRA RIV PIEDINO PORTA BATTENTE	PLATE EXTERNAL LEG HINGED DOOR
12	NT4060	2	OMEGA LONGITUDINALE (DIV.2) L150	LONGITUDINAL OMEGA L150
11	NT4033	1	OMEGA CENTR RIV. PIANO BASE P70	CENTRAL OMEGA BASE SHELF P70
10	NT3593	2	ANGOLARE SUPP. BINARIO L150	ANGULAR BINARY SUPPORT L150
9	NT3582	2	BINARIO TAVOLI ARMADIATI L150	BINARY L150
8	NT2450	2	OMEGA LATERALE PIANO BASE P70	LATERAL OMEGA BASE SHELF P70
7	NT335	1	PIASTRA RINFORZO PER GAMBA CENTRALE	PLATE CENTRAL LEG
6	NT317	4	PAN. EST. ANTA SCORREVOLE PER PENSILE L150 H85	EXTERNAL SLIDING DOOR CABINET L150 H85
5	NT310	4	PAN. INT. ANTA SCORREVOLE PENSILE L150 H85	INTERNAL SLIDING DOOR CABINET L150 H85
4	NT186	2	OMEGA RINFORZO PIANO INTERNO L150	OMEGA SHELF RENIFORCEMENT L150
3	GANCIOXRIP	4	STAFFA SUPPORTO RIPIANO INTERNO	GANCRIP - INTERNAL SHELF SUPPORT BRACKET
2	DSPIEDTA	5	PIEDINO PER TAVOLI ARMADIATI	FOOT FOR CABINET TABLES
1	APS_L150_H85	4	ASSIEME PORTE SCORREVOLI L150 H85	SLIDING DOORS ASSEMBLY L150 H85
ITEM NO	PART NUMBER	QTY	DESCRIPTION	

DATA DATE	MODIF. N. MODIF. NO.	DESCRIZIONE MODIFICHE MODIFICATION DESCRIPTION	DISegnATO DRAWN BY	APPROVATO APPROVED
			M.PAPI	
MODELLO MODEL	TAVOLO PASSANTE 150x70 OPEN TABLE SLIDING DOORS 150x70		DISegno N. DRAWING NO.	SCALA SCALE
PARTICOLARE DETAIL	SCHEDA TECNICA DATA SHEET		M.PAPI	DATA DATE
MATERIALE MATERIAL	SPES.S. THICK.	APPROVATO APPROVED	SHEET 3 OF 4	
FINITURA FINISH	PEZZI N. PIECES NO.	SOSTITUISCE IL DIS. N. IT REPLACES DRAWING NO.	ULTIMA EMISS. LAST EDITION	
TRATTAMENTO TREATMENT	COLORE COLOUR	SOSTITUITO DAL DIS. N. REPLACED BY DRAWING NO.		
<b>RISTOPRO</b> PROFESSIONAL CATERING EQUIPMENT		RISTOPRO SRL FRAZ. BORGO TUFICO, 47 FABRIANO (AN) ITALY +39.732.043494 WWW.RISTOPRO.COM		 mm

ELABORATO CON SISTEMA CAD  
 DESIGNED BY CAD/STEM  
 QUOTA PRIMARIA  
 PRIMARY DIMENSION  
 XX  
 ANGOLI  
 Angles  
 >500  
 >±0.75  
 400-500  
 >±0.65  
 315-400  
 >±0.60  
 250-315  
 >±0.55  
 180-250  
 >±0.50  
 120-180  
 >±0.45  
 80-120  
 >±0.40  
 50-80  
 >±0.35  
 30-50  
 >±0.30  
 10-30  
 >±0.25  
 5-10  
 >±0.15  
 0-5  
 >±0.10  
 LUNGHEZZE E DIAM.  
 LENGTH AND DIAM.  
 TOLLERANZA UNLESS OTHERWISE STATED  
 QUOTE SENZA TOLLERANZA  
 FORM.A-2