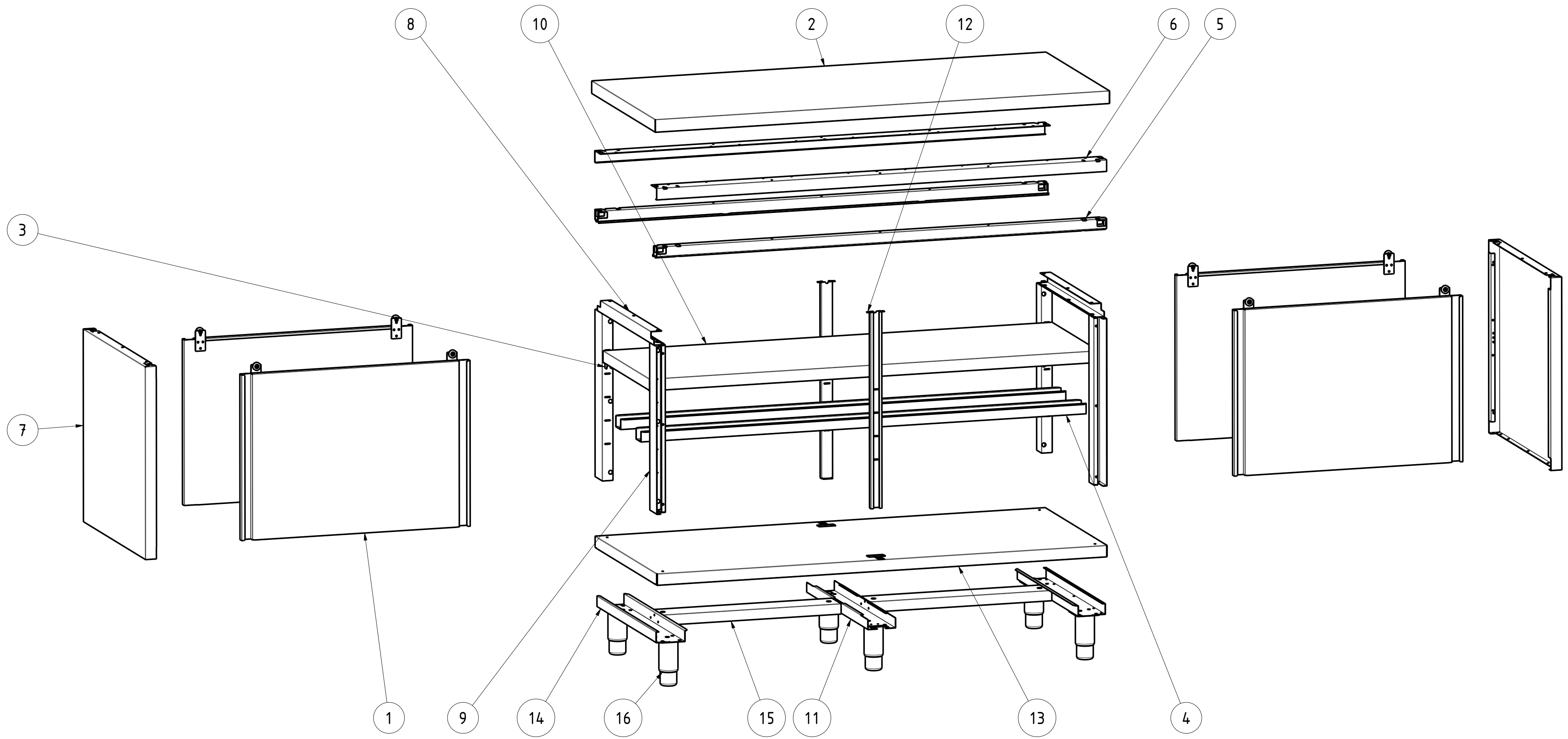


DATA DATE	MODIF. N. MODIF. NO.	DESCRIZIONE MODIFICHE MODIFICATION DESCRIPTION	DISegnATO DRAWN BY	APPROVATO APPROVED
MODELLO MODEL	TAVOLO ARMADIATO PASSANTE 160x70 OPEN TABLE SLIDING DOORS		DISEGNO N. DRAWING NO. KBDSTAP167SP	SCALA SCALE -
PARTICOLARE DETAIL	SCHEDA TECNICA DATA SHEET		DISEGNATO DRAWN BY M.PAPI	DATA DATE -
MATERIALE MATERIAL	SPES.S. THICK.	APPROVATO APPROVED	SHEET 1 OF 2	
FINITURA FINISH	PEZZI N. PIECES NO.	SOSTITUISCE IL DIS. N. IT REPLACES DRAWING NO.	ULTIMA EMISS. LAST EDITION	
TRATTAMENTO TREATMENT	COLORE COLOUR	SOSTITUITO DAL DIS. N. REPLACED BY DRAWING NO.		
RISTOPRO PROFESSIONAL CATERING EQUIPMENT		RISTOPRO SRL FRAZ. BORGO TUFICO, 47 FABRIANO (AN) ITALY +39.732.043494 WWW.RISTOPRO.COM		 mm

TOLLERANCE UNLESS OTHERWISE STATED
 QUOTE SENZA TOLLERANZA
 QUOTA PRIMARIA
 DESIGNED BY CAD/STEM
 XX
 PRIMARY DIMENSION
 ANGOLI
 Angles
 >500
 ±0.75
 400-500
 ±0.65
 315-400
 ±0.60
 250-315
 ±0.55
 180-250
 ±0.50
 120-180
 ±0.45
 80-120
 ±0.40
 50-80
 ±0.35
 18-30
 ±0.25
 10-18
 ±0.20
 5-10
 ±0.15
 0-5
 ±0.10
 LUNGH. E DIAM.
 LENGTH AND DIAM.
 FORM.A-2



16	PIEDINO_PN540	6	PIEDINO ARMADIATO 5 FORI	---
15	NT4029-01	2	OMEGA LONGITUDINALE L160	LONGITUDINAL OMEGA L160
14	NT2450-01	2	OMEGA LATERALE PIANO BASE P70	LATERAL OMEGA BASE SHELF P70
13	NT20725-01	1	PIANO BASE TAP RINF. CENTR. KB 160x70	BASE SHELF TAP 160x70
12	NT19366-01_1MM	2	RINFORZO CENTRALE KB	CENTRAL REINFORCEMENT
11	NT19346-01	1	OMEGA CENTR. PIANO BASE P70 - 2 PIEDI RINF. CENTR. KB	CENTRAL OMEGA BASE SHELF P70 - 2 FEET KB
10	NT20726	1	PIANO INTERNO REGOLABILE TAP TF RINF. CENTR. 160x70	INTERNAL ADJUSTABLE SHELF TAP 160x70
9	NT19172	4	MONTANTE ASOLATO SP PER MONT CENTR	UPRIGHT
8	NT4151	2	COLLEGAMENTO MONTANTI P70	UPRIGHT CONNECTION P70
7	NT4149	2	FIANCO DX/SX TAVOLO SU FIANCHI/PASSANTE P70	RIGHT/LEFT SIDE TABLE ON SIDES P70
6	NT3594	2	ANGOLARE SUPP. BINARIO L160	ANGULAR BINARY SUPPORT L160
5	NT3583	2	BINARIO TAVOLI ARMADIATI L160	BINARY L160
4	NT187	2	OMEGA RINFORZO PIANO INTERNO L160	OMEGA SHELF RENIFORCEMENT L160
3	GANCIOXRIP	4	STAFFA SUPPORTO RIPIANO INTERNO	GANCRIIP - INTERNAL SHELF SUPPORT BRACKET
2	ASS_TOP_Q_160X70	1	ASSIEME TOP Q L160 P70	ASSEMBLY TOP Q L160 P70
1	APS_L160_H85	4	ASSIEME PORTE SCORREVOLI L160 H85	SLIDING DOORS ASSEMBLY L160 H85
ITEM NO	PART NUMBER	QTY	DESCRIPTION	

DATA DATE	MODIF. N. MODIF. NO.	DESCRIZIONE MODIFICHE MODIFICATION DESCRIPTION	DISEGNATO DRAWN BY	APPROVATO APPROVED
			M.PAPI	
MODELLO MODEL	TAVOLO ARMADIATO PASSANTE 160x70 OPEN TABLE SLIDING DOORS		DISEGNO N. DRAWING NO.	SCALA SCALE
			KBDSTAP167SP	-
PARTICOLARE DETAIL	SCHEDA TECNICA DATA SHEET		DISEGNATO DRAWN BY	DATA DATE
			M.PAPI	-
MATERIALE MATERIAL	SPESS. THICK.	APPROVATO APPROVED	SHEET 2 OF 2	
FINITURA FINISH	PEZZI N. PIECES NO.	SOSTITUISCE IL DIS. N. IT REPLACES DRAWING NO.	ULTIMA EMISS. LAST EDITION	
TRATTAMENTO TREATMENT	COLORE COLOUR	SOSTITUITO DAL DIS. N. REPLACED BY DRAWING NO.		
		RISTOPRO SRL FRAZ. BORGO TUFICO, 47 FABRIANO (AN) ITALY +39.732.043494 WWW.RISTOPRO.COM		

ELABORATO CON SISTEMA CAD DESIGNED BY CADSTEM
 QUOTA PRIMARIA PRIMARY DIMENSION XX
 ANGOLI Angles 30°
 >500 ±0.75
 400-500 ±0.65
 315-400 ±0.60
 250-315 ±0.55
 120-180 ±0.45
 80-120 ±0.40
 50-80 ±0.35
 30-50 ±0.30
 10-18 ±0.20
 5-10 ±0.15
 0-5 ±0.10
 TOLLERANZA UNLESS OTHERWISE STATED
 QUOTE SENZA TOLLERANZA
 LUNGHEZZE E DIAM. LENGTH AND DIAM.
 FORM.A-2