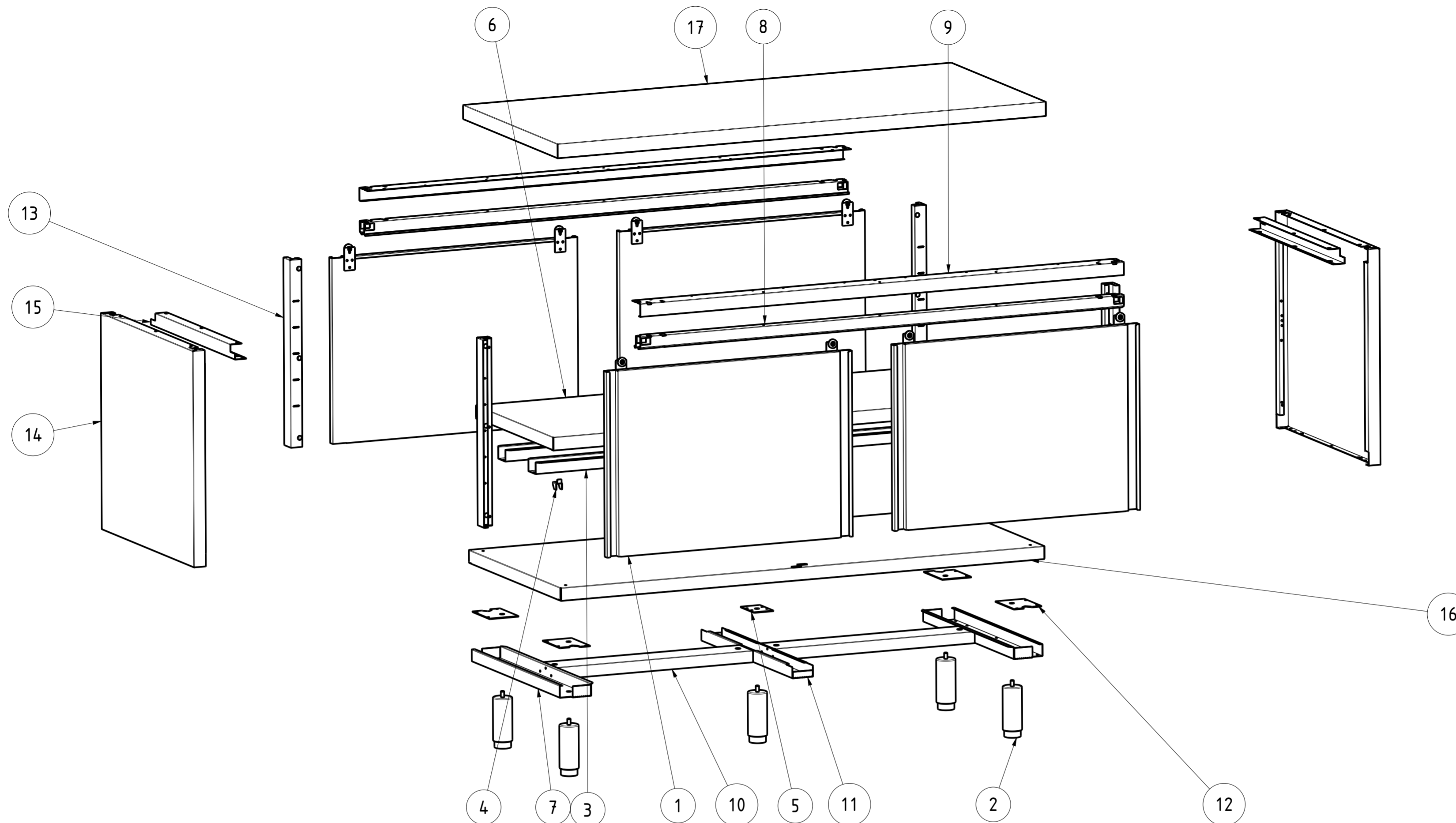


EXPLOSIONSZEICHNUNG



KBS Gastrotechnik GmbH – Schoßbergstraße 26 – 65201 Wiesbaden



17	NT3938Q	1	TOP Q 160x70	TOP Q 160x70
16	NT4421	1	PIANO BASE TAP 160x70	BASE SHELF TAP 160x70
15	NT4151	2	COLLEGAMENTO MONTANTI P70	UPRIGHT CONNECTION P70
14	NT4149	2	FIANCO DX/SX TAVOLO SU FIANCHI/PASSANTE P70	RIGHT/LEFT SIDE TABLE ON SIDES P70
13	NT4147	4	MONTANTE ASOLATO	HOLED UPRIGHT
12	NT4144	4	PIASTRA RIV PIEDINO PORTA BATTENTE	PLATE EXTERNAL LEG HINGED DOOR
11	NT4033	1	OMEGA CENTR RIV. PIANO BASE P70	CENTRAL OMEGA BASE SHELF P70
10	NT4029	2	OMEGA LONGITUDINALE L160	LONGITUDINAL OMEGA L160
9	NT3594	2	ANGOLARE SUPP. BINARIO L160	ANGULAR BINARY SUPPORT L160
8	NT3583	2	BINARIO TAVOLI ARMADIATI L160	BINARY L160
7	NT2450	2	OMEGA LATERALE PIANO BASE P70	LATERAL OMEGA BASE SHELF P70
6	NT1136	1	PIANO INTERNO REGOLABILE TAP TF 160x70	INTERNAL ADJUSTABLE SHELF TAP 160x70
5	NT335	1	PIASTRA RINFORZO PER GAMBA CENTRALE	PLATE CENTRAL LEG
4	NT330	4	STAFFA SUPPORTO RIPIANO INTERNO	GANCIP - INTERNAL SHELF SUPPORT BRACKET
3	NT187	2	OMEGA RINFORZO PIANO INTERNO L160	OMEGA SHELF RENINFORCEMENT L160
2	DSPIEDTA	5	PIEDINO PER TAVOLI ARMADIATI	FOOT FOR CABINET TABLES
1	APS_L160_H85	4	ASSIEME PORTE SCORREVOLI L160 H85	SLIDING DOORS ASSEMBLY L160 H85
ITEM NO	PART NUMBER	QTY	DESCRIPTION	

DATA DATE	MODIF. N. MODIF. NO.	DESCRIZIONE MODIFICHE MODIFICATION DESCRIPTION	DISEGNATO DRAWN BY	APPROVATO APPROVED
			M.PAPI	
MODELLO MODEL	TAVOLO PASSANTE 160x70 OPEN TABLE SLIDING DOORS 160x70		DISSEGNO N. DRAWING NO.	SCALA SCALE
PARTICOLARE DETAIL	SCHEDA TECNICA DATA SHEET		M.PAPI	DATE -
MATERIALE MATERIAL	SPESS. THICK.	APPROVATO APPROVED	SHEET 3 OF 3	
FINITURA FINISH	PEZZI N. PIECES NO.	SOSTITUISCE IL DIS. N. IT REPLACES DRAWING NO.		ULTIMA EMISS. LAST EDITION
TRATTAMENTO TREATMENT	COLORE COLOUR	SOSTITUITO DAL DIS. N. REPLACED BY DRAWING NO.		
		RISTOPRO SRL FRAZ. BORGO TUFICO, 47 FABRIANO (AN) ITALY +39.732.043494 WWW.RISTOPRO.COM		

ELABORATO CON SISTEMA CAD DESIGNED BY CAD/STEM
 QUOTA PRIMARIA PRIMARY DIMENSION XX
 ANGOLI Angles 30° ±0.30°
 >500 ±0.75
 400-500 ±0.65
 315-400 ±0.60
 250-315 ±0.55
 180-250 ±0.50
 120-180 ±0.45
 80-120 ±0.40
 50-80 ±0.35
 30-50 ±0.30
 10-30 ±0.25
 5-10 ±0.15
 0-5 ±0.10
 TOLLERANZA UNLESS OTHERWISE STATED
 QUOTE SENZA TOLLERANZA
 LUNGHEZZE E DIAM. LENGTH AND DIAM. mm
 FORM.A-2