

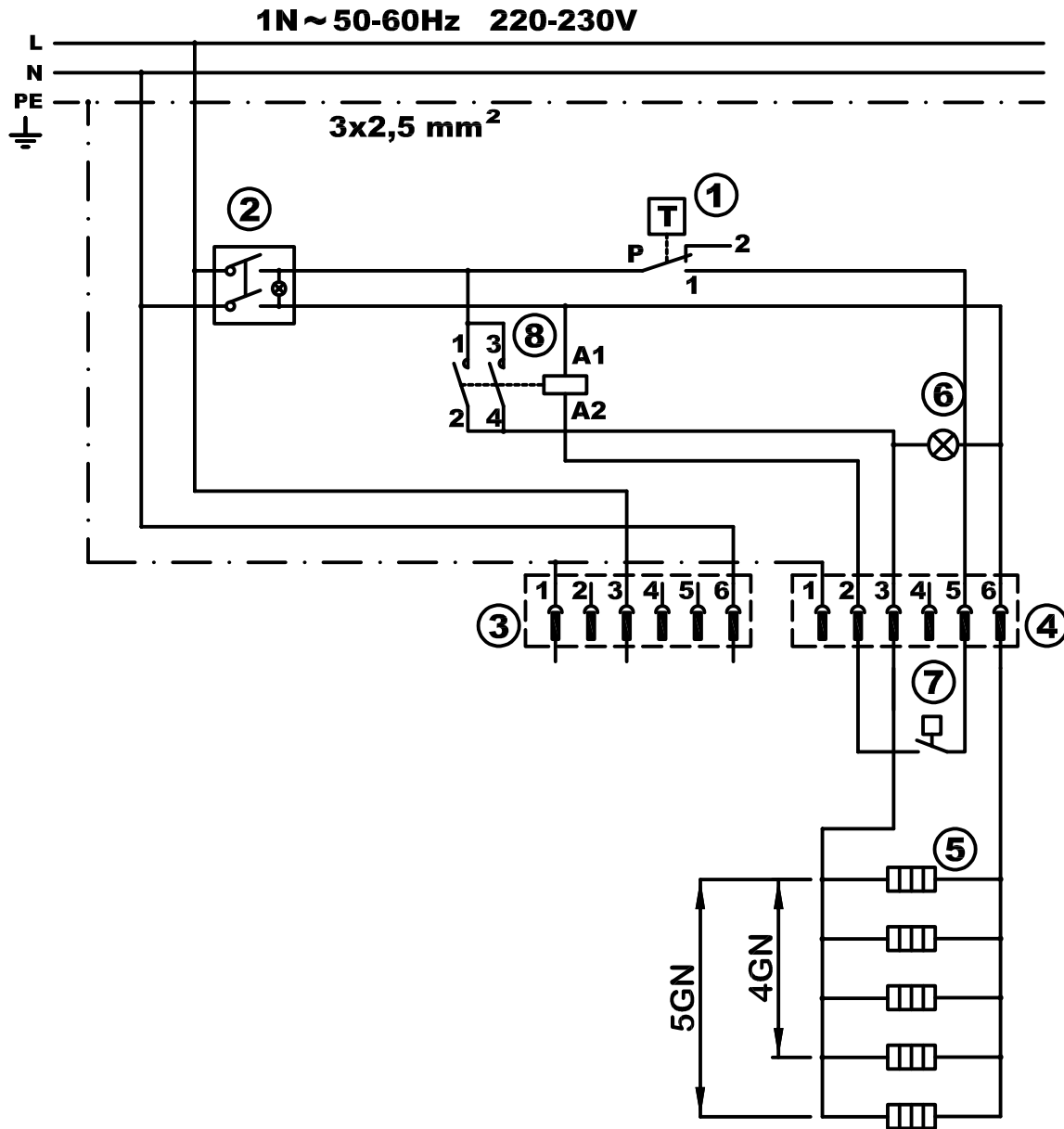
SCHALTPLAN



KBS Gastrotechnik GmbH – Schoßbergstraße 26 – 65201 Wiesbaden

DRY BAIN MARIE WELLS FOR 4GN, 5GN

DDBM-411, DDBM-511



- ① Thermostat
- ② Power switch
- ③ Conector cover A
- ④ Conector cover B
- ⑤ Heater 600W
- ⑥ Control light
- ⑦ Automatic cut-off
- ⑧ Contactor

DDBM- 411, 511