

SCHALTPLAN

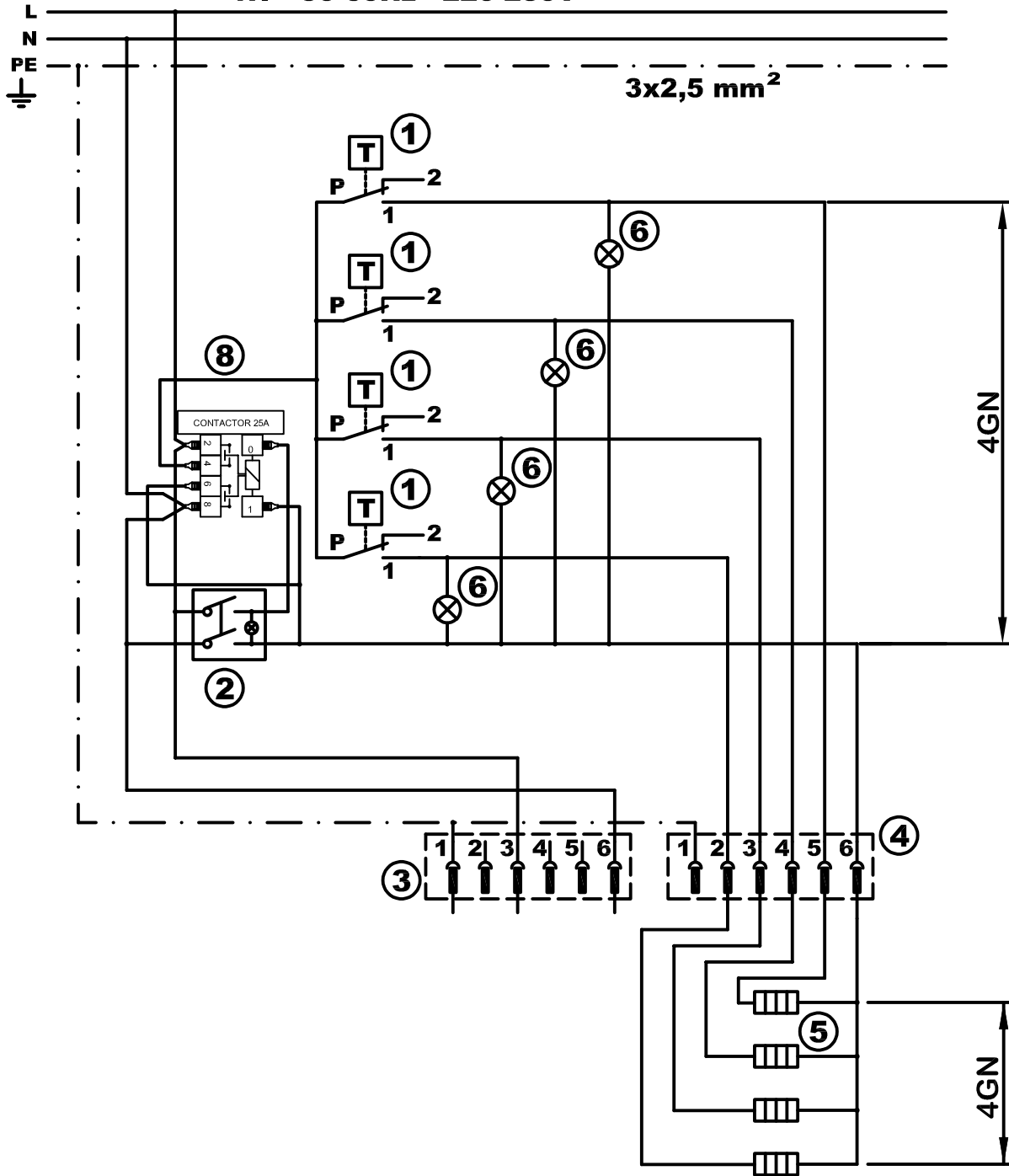


KBS Gastrotechnik GmbH – Schoßbergstraße 26 – 65201 Wiesbaden

WET BAIN MARIE MULTI CONTROL FOR 4GN, 5GN

DBM-411-I

1N ~ 50-60Hz 220-230V



- ① Thermostat
- ② Power switch
- ③ Conector cover A
- ④ Conector cover B
- ⑤ Silicone heaters
- ⑥ Control light
- ⑧ Contactor