

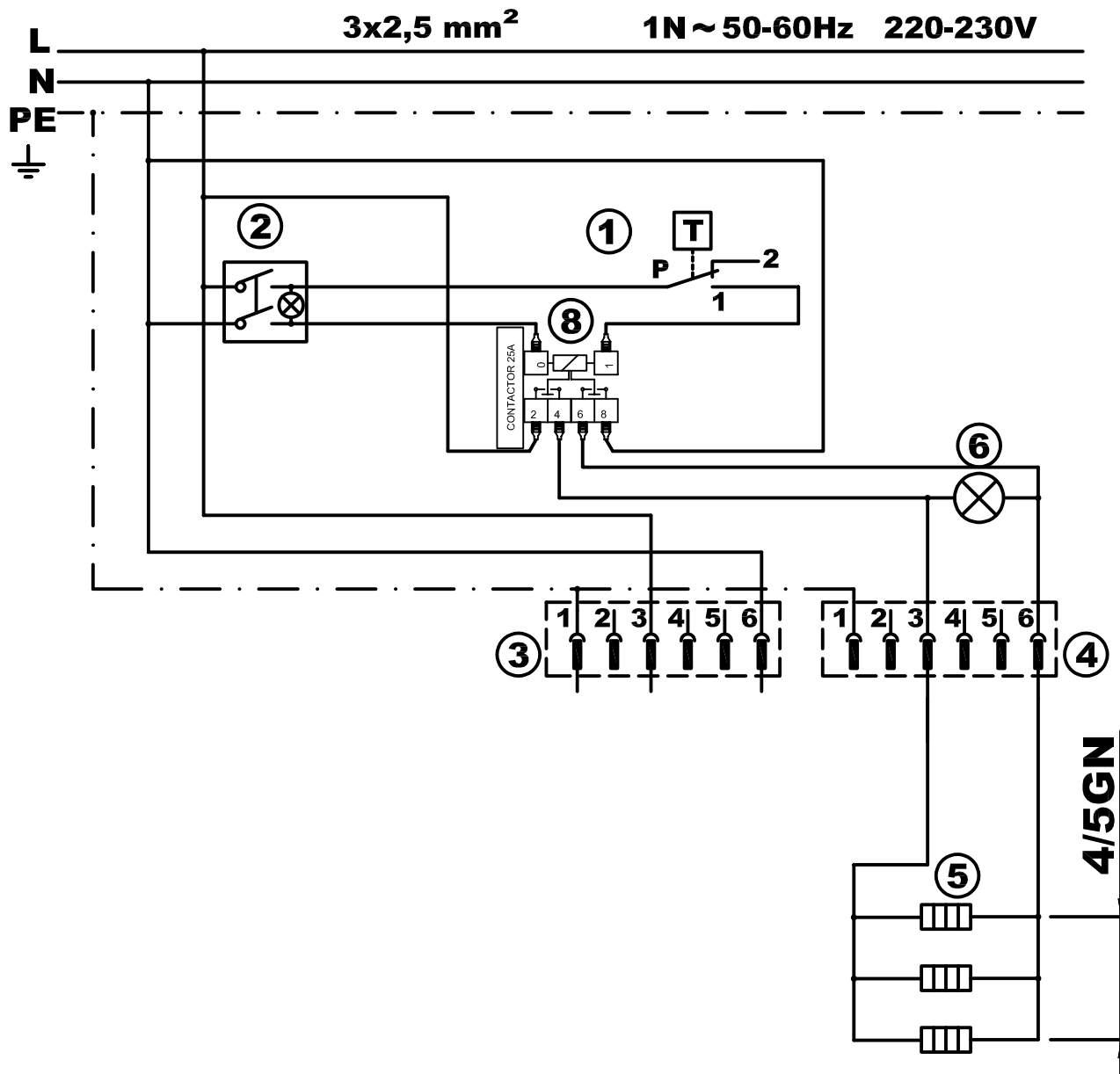
SCHALTPLAN



KBS Gastrotechnik GmbH – Schoßbergstraße 26 – 65201 Wiesbaden

WET BAIN MARIE WELLS FOR 4 OR 5 GN 1/1

DBM- 411, DBM-511



zmiana wprowadzona 12-09-2019

- ① Thermostat
- ② Power switch
- ③ Conector cover A
- ④ Conector cover B
- ⑤ Silicone heaters
- ⑥ Control light
- ⑧ Contactor